

**JITOOOL**

**▲NPOWER**  
Powered by  
NaviTech

Tài liệu được tổng hợp bởi đội ngũ kỹ thuật của **NPOWER**  
Bản quyền nội dung thuộc về **JITOOOL**

Powered by **NAVITECH** | [www.navitech.co](http://www.navitech.co)  
[www.npower.com.vn](http://www.npower.com.vn)

**HEADQUARTERS**

18, Jikdog-n-ro, Gwangju-si  
Gyeonggi-do, Korea  
Tel : +82-2-445-2500  
Fax : +82-2-445-2506  
E-mail : [jitool@jitool.com](mailto:jitool@jitool.com)

**JITOOOL USA CORP.**

14408 Iseli Road,  
Santa Fe Springs, CA 90670, USA  
Tel : +1-562-404-8740  
Fax : +1-562-404-8490  
E-mail : [jitool.orders@gmail.com](mailto:jitool.orders@gmail.com)

**CATALOG**

**Better Tool, Better Works!**

[www.jitool.com](http://www.jitool.com)



**CONTENTS**

C-Ringer\_04~05

Nailer\_06~11

Micro Pinner\_12

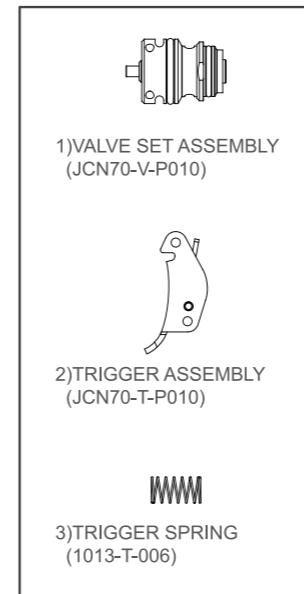
Insulation Nailer\_13

Coil Nailer\_14~19

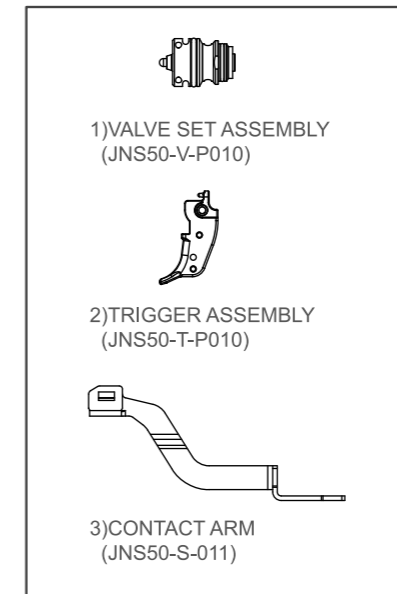
Stapler\_20~38

Air Punch\_39

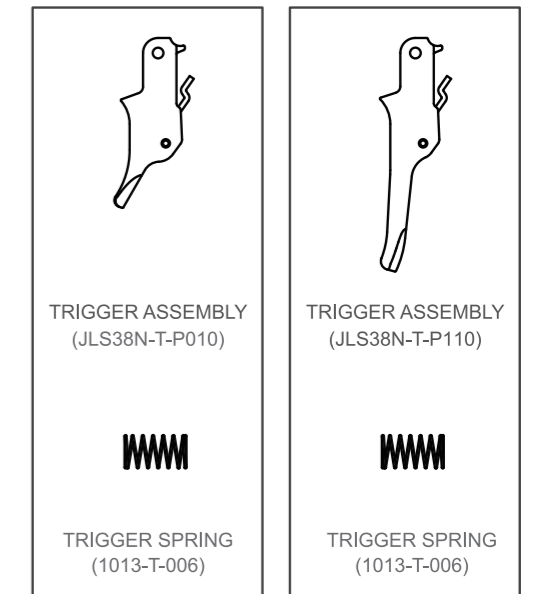
**SQT01**  
SEQUENTIAL TRIP CONVERSION KIT  
(FOR MODEL JCN55, JCN70 JCN80)



**SQT02**  
SEQUENTIAL TRIP CONVERSION KIT  
(FOR MODEL JNS50)



**JLS38N-T-SQ1** SEQUENTIAL TRIGGER SET  
**JLS38N-T-SQ2** SEQUENTIAL TRIGGER SET  
(FOR MODEL JLS38N, JLS38S)



**JCN65**  
DEPTH CONTACT ARM SET  
(JCN65D-S-P001)



**TRS25S, TRS25B**  
GUIDE COVER HAMMER  
(TRS25S-G-203)



**TRS25S, TRS25B**  
RESTRICTIVE KIT W/O TRIGGER  
BOSTITCH SEQ06 SEQUENTIAL TRIGGER SET REQUIRED  
(TRS25S SEQ KIT)  
(TRS25S-S-P101 SINGLE SHOT CONTACT ARM)  
(TRS25S-V-110 SINGLE SHOT PLUNGER)



**JNS50**  
VINYL SIDING CONTACT FOOT  
(JNS50-S-014)



**JLS38S**  
PRECISION CONTACT ARM (JLS38S-S-001)



**CS26/38**  
MAGNETIC TIP (CS2638-S-003)



**JMS38**  
SIDING CONTACT ARM (JMS38-S-002)



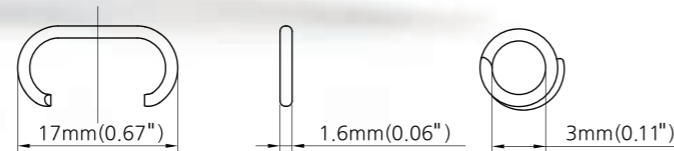
**JMCN150**  
DOUBLE LENGTH MAGAZINE SET (JMCN150-M-P004)



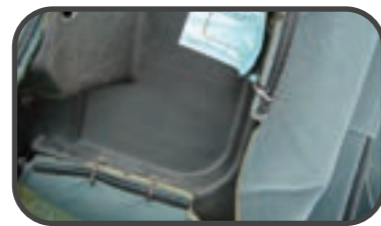
# JC760

16GA. C-Ringer

- **Weight**
  - 3.48lbs(1.58kg)
- **Dimensions**
  - L: 10-13/16" (275mm)
  - H: 7-5/8" (194mm)
  - W: 3-13/16" (97mm)
- **Applications**
  - Small to Medium Bag Closure
  - Lobster, Shrimp and Crab traps
  - Netting
  - Bird control netting
  - Insulation
  - Automotive seat
- **Air Consumption**
  - 0.42L/cycle, 7kg/cm<sup>2</sup>



Mattress



Car seat performance



Fabric, Jute Netting

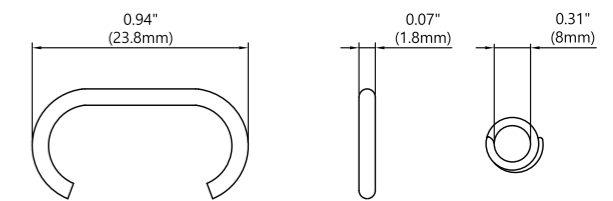
## C-RINGER

### JC7

15GA. C-Ringer

- **Dimensions**
  - L: 7-3/8"(187mm)H: 13-7/16" (342mm) W: 3-1/2" (89mm)
- **Weight** - 3.4lbs(1.54kg)
- **Fasteners**
  - BOSTITCH :SC7
  - MEIHO : M-6W
- **Applications**
  - Automotive Seat
  - Mattress
  - Fence Connection
- **Air Consumption**
  - 0.42L/cycle, 7kg/cm<sup>2</sup>
- **Fastener Specification**

<b>Type</b>	15GA. C-rings
<b>Crown</b>	.940" (23.9mm)
<b>Wire Dia.</b>	.070" (1.8mm)
<b>Inner Diameter after Fastening</b>	.315"(8mm)
<b>Load Capacity</b>	130

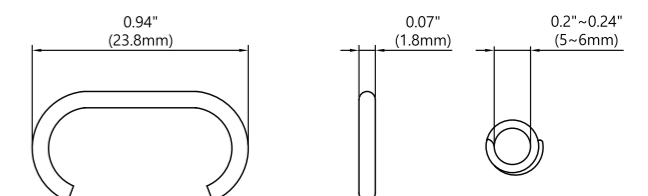


### JC7C

15GA. C-Ringer

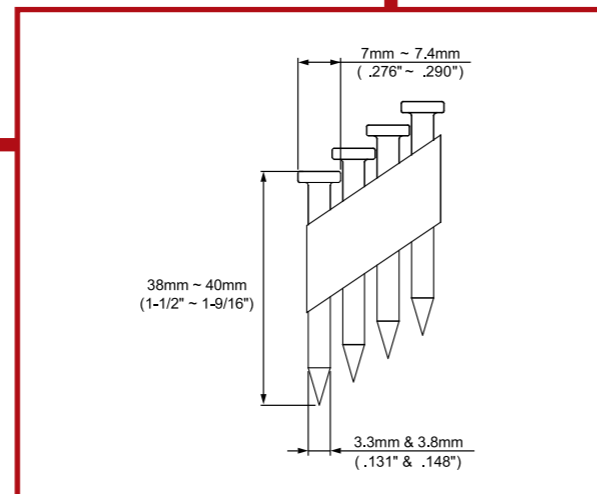
- **Dimensions**
  - L: 7-3/8"(187mm)H: 13-7/16" (342mm) W: 3-1/2" (89mm)
- **Weight** - 3.4lbs(1.54kg)
- **Fasteners**
  - BOSTITCH :SC7C
  - MEIHO : M-6CAW
- **Applications**
  - Automotive Seat
  - Mattress
  - Fence Connection
- **Air Consumption**
  - 0.42L/cycle, 7kg/cm<sup>2</sup>
- **Fastener Specification**

<b>Type</b>	15GA. C-rings
<b>Crown</b>	.940" (23.9mm)
<b>Wire Dia.</b>	.070" (1.8mm)
<b>Inner Diameter after Fastening</b>	.200"- .240" (5mm~6mm)
<b>Load Capacity</b>	130



# JMCN150

## Metal Connector Nailer



### ● Dimensions

- L: 11-7/16"(290mm)H: 10-4/5" (275mm) W: 5-7/16" (87mm)

### ● Weight

- 4.5lbs(2.05kg)

### ● Fasteners

- Pasload : F150S-PP, Pneutool : MC150, Max : SN438J  
- Bostitch : MCN150, Everwin : MCN40B, Senco : JoistPro 150XP

### ● Air Consumption

- 1.47L/cycle, 7kg/cm<sup>2</sup>

### ● Applications

- Flooring and building a wooden wall

### ● Features

- Most Compact Design
- Lightweight and Well Balanced
- Easily Accessible Trigger System
- Easy to Maintain and Repair

### ● Fastener Specification

Type	34° Paper Collated Nails
Length	1-1/2" (40mm)
Shank Dia.	.131" , .148" (3.3mm, 3.8mm)
Load Capacity	33 Nails

# CS26/38

Air Concrete Nailer

### ● Dimensions

- L: 18-1/4"(464mm)H: 13-3/4" (349mm) W: 4-5/8" (117mm)

### ● Weight

- 8.1lbs(3.69kg)

### ● Fasteners

- MAX : GS638E  
- Aerosmith PBC & RBC series

### ● Applications

- Drywall track to concrete/ steel  
- Concrete furring  
- Wood to steel

### ● Air Consumption

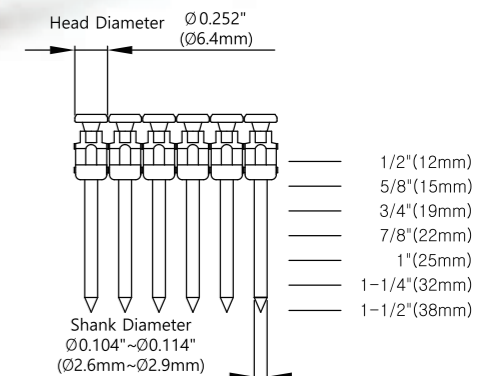
- 3.11L/cycle, 7kg/cm<sup>2</sup>

### ● Fastener Specification

Type	Concrete Pins
Length	1/2"~ 1-1/2" (12mm~ 38mm)
Shank Dia.	.104" ~ .114"(2.6mm~ 2.9mm)
Head Dia.	.252" (6.4mm)
Load Capacity	42 nails



● Magnesium Body



## JMCN150

Double Length Magazine Set (JMCN150-M-P004)



## CS26/38

Magnetic Tip (CS2638-S-003)



## CS15/50

15GA. Mini Concrete Nailer

- **Dimensions**
  - L: 11-7/16"(290mm) H: 10-5/8" (268 mm) W: 3" (75.5mm)
- **Weight** - 3.81lbs(1.72kg)
- **Fasteners**
  - BEA : SKS600
- **Applications**
  - For plinth and frame work
  - Interior and building finishing
  - Light steel connections
- **Air Consumption**
  - 1.16L/cycle, 7kg/cm<sup>2</sup>
- **Fastener Specification**

<b>Type</b>	15GA. Concrete Nails
<b>Length</b>	5/8"~ 2"(15mm~ 50mm)
<b>Width x Thickness</b>	.071"~ .071"(1.8mm~ 1.8mm)
<b>Head Width</b>	.130" (3.3mm)
<b>Load Capacity</b>	100 nails



## FN21/90

21° Full Round Head Framing Nailer

- **Dimensions**
  - L: 19-11/16"(500mm) H: 13-27/32"(352mm)W: 4-5/8"(117mm)
- **Weight** - 8.4lbs(3.8kg)
- **Fasteners**
  - BOSTITCH : N Series - MAX : SN Series
  - SENCO : FramePro Series - HITACHI : NR83A
- **Applications**
  - Framing/ Truss building
  - Subflooring/ Fencing
  - Sheathing and Decking/ Crating and Pallets
- **Air Consumption**
  - 3.11L/cycle, 7kg/cm<sup>2</sup>
- **Fastener Specification**

<b>Type</b>	21° Plastic Collated Full Round Head Nails
<b>Length</b>	2" ~ 3-1/2" (50mm ~ 90mm)
<b>Shank Dia.</b>	.113" ~ .131" (2.9mm ~ 3.3mm)
<b>Head Dia.</b>	.267" ~ .295" (6.8mm ~ 7.5mm)
<b>Load Capacity</b>	64 Nails



## CT64RS

14GA. 64mm Brad & Concrete Nailer

- **Dimensions**
  - L: 12-7/16"(316mm) H: 12-3/16" (310mm) W: 4" (101mm)
- **Weight** - 5.54 lbs(2.47kg)
- **Fasteners**
  - PASLODE : 3250-F14 404677 Series
- **Applications**
  - DT - Window & Door Molding
    - Cabinet Framing / Furniture Trim
  - ST - Trusses Building
    - Wood to Concrete/ Finish Construction
- **Air Consumption**
  - 1.96L/cycle, 7kg/cm<sup>2</sup>
- **Fastener Specification**

<b>Length</b>	DT : 1-3/16" ~ 2-1/2" (30mm ~ 64mm) ST : 3/4" ~ 2-1/2" (18mm ~ 64mm)
<b>Width x Thickness</b>	DT : .064" x .086" (1.65mm x 2.2mm) ST : .086" x .086" (2.2mm x 2.2mm)
<b>Head Width</b>	DT : .153" (3.9mm) ST : .256" (6.5mm)
<b>Load Capacity</b>	80 nails



## FN34/90

34° Clipped Head Framing Nailer

- **Dimensions**
  - L: 17-9/16"(446mm) H: 14-9/32" (363mm) W: 4-5/8" (117mm)
- **Weight** - 8.41lbs(3.8kg)
- **Fasteners**
  - BOSTITCH : N Series - MAX : SN Series
  - SENCO : FramePro Series - HITACHI : NR83AA
- **Applications**
  - Framing/ Truss building
  - Subflooring/ Fencing
  - Sheathing and Decking/ Crating and Pallets
- **Air Consumption**
  - 3.11L/cycle, 7kg/cm<sup>2</sup>
- **Fastener Specification**

<b>Type</b>	34° Paper Collated Clipped Head Nails
<b>Length</b>	2" ~ 3-1/2" (50mm ~ 90mm)
<b>Shank Dia.</b>	.113" ~ .131" (2.9mm ~ 3.3mm)
<b>Head Dia.</b>	.267" ~ .303" (6.8mm ~ 7.7mm)
<b>Load Capacity</b>	90 Nails



# BN16/50

16GA. Finish Nailer

### ● Dimensions

- L: 11-1/4"(286mm) H: 10-5/8"(268mm) W: 3"(75.5mm)

● Weight - 3.8lbs(1.72kg)

### ● Fasteners

- BEA : SK400 Series - POTER CABLE : FN16 Series  
- HITACHI : 142 Series

### ● Applications

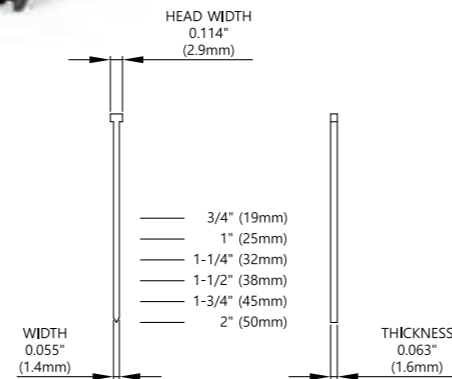
- Molding & Decorative Trim  
- Furniture Trim/ Component Assembly  
- Door & Window Casings/ Picture Frame Assembly

### ● Air Consumption

- 1.16L/cycle, 7kg/cm<sup>2</sup>

### ● Fastener Specification

Type	16GA. Finish Nails
Length	3/4" ~ 2" (19mm ~ 50mm)
Shank Dia.	.055" x .063" (1.4mm x 1.6mm)
Head Dia.	.114" (2.9mm)
Load Capacity	100 Nails



# 1832B

18GA. 1/1/4" Brad Nailer

### ● Dimensions

- L: 9-11/32"(239mm) H: 7-7/16"(189mm) W: 2-3/8"(60mm)

● Weight - 2.42lbs(1.1kg)

### ● Fasteners

- MAX : TA20A Series  
- HITACHI : NT Series

### ● Applications

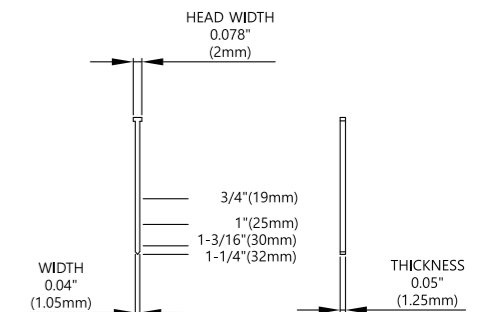
- Molding & Decorative Trim  
- Furniture Trim  
- Interior Trim & Exterior Trim

### ● Air Consumption

- 0.42L/cycle, 6kg/cm<sup>2</sup>

### ● Fastener Specification

Type	18GA. Brad Nails
Length	3/4" ~ 1-1/4" (19mm ~ 32mm)
Shank Dia.	.040" x .050" (1.05mm x 1.25mm)
Head Dia.	.078" (2mm)
Load Capacity	100 Nails



# BN16/64

16GA. Finish Nailer

### ● Dimensions

- L: 11-1/4"(286mm) H: 11-1/8"(282mm) W: 3"(75.5mm)

● Weight - 3.92lbs(1.78kg)

### ● Fasteners

- BEA : SK400 Series - POTER CABLE : FN16 Series  
- HITACHI : 142 Series

### ● Applications

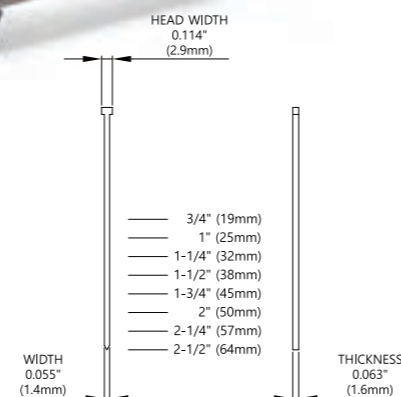
- Molding & Decorative Trim  
- Furniture Trim/ Component Assembly  
- Door & Window Casings/ Picture Frame Assembly

### ● Air Consumption

- 1.20L/cycle, 7kg/cm<sup>2</sup>

### ● Fastener Specification

Type	16GA. Finish Nails
Length	3/4" ~ 2-1/2" (19mm ~ 64mm)
Shank Dia.	.055" x .063" (1.4mm x 1.6mm)
Head Dia.	.114" (2.9mm)
Load Capacity	100 Nails



# 1850NL

18GA. 2" Brad Nailer

### ● Dimensions

- L: 9-5/8"(244mm) H: 9-5/8"(244mm) W: 2-5/16"(62mm)

● Weight - 3.06lbs(1.39kg)

### ● Fasteners

- MAX : NF255-ST/18 Series  
- HITACHI : NT Series

### ● Applications

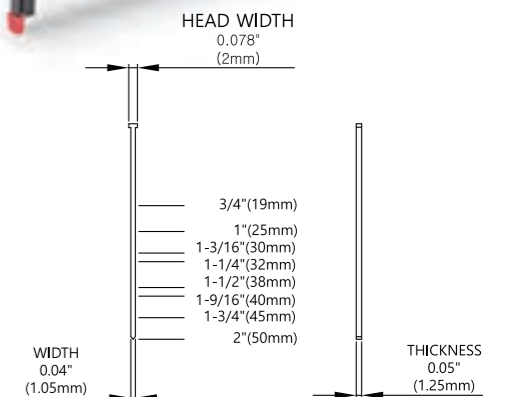
- Molding, Decorative Trim  
- Mirror & Picture Frames  
- Interior Trim & Exterior Trim

### ● Air Consumption

- 0.56L/cycle, 6kg/cm<sup>2</sup>

### ● Fastener Specification

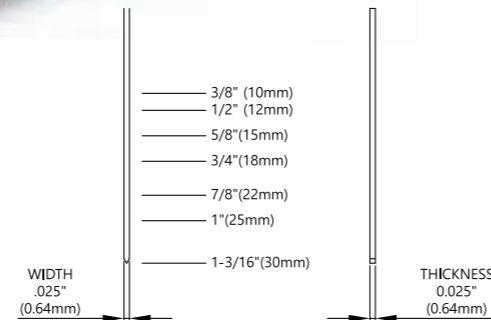
Type	18GA. Brad Nails
Length	3/4" ~ 2" (19mm ~ 50mm)
Shank Dia.	.040" x .050" (1.05mm x 1.25mm)
Head Dia.	.078" (2mm)
Load Capacity	100 Nails



# 630R

23GA. 1-3/16" Micro Pinner

- **Dimensions**  
- L: 9-7/16" (240mm) H: 7-3/8" (188mm) W: 1-7/8" (48mm)
- **Weight** - 2.36lbs (1.07kg)
- **Fasteners**  
- MAX : NF235A/23-35 - SENCO : FinishPro 11/CZ  
- BOSTITCH : HP118K/PT1312
- **Applications**  
- Cabinets - Trim  
- Finish and Trim  
- Mirror and Picture Frames
- **Air Consumption**  
- 0.21L/cycle, 6kg/cm<sup>2</sup>
- **Fastener Specification**

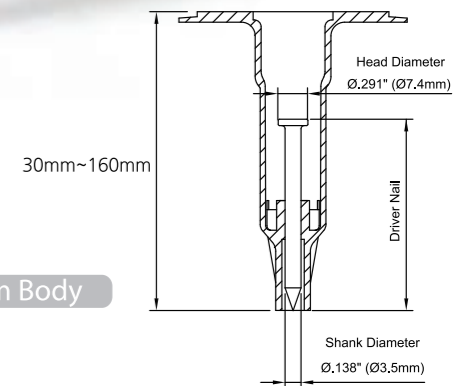


Type	23GA. Micro Pins
Length	3/8" ~ 1-3/16" (10mm ~ 30mm)
Width x Thickness	.025" x .025" (.64mm x .64mm)
Load Capacity	200

# IN160

Insulation Nailer

- **Dimensions**  
- L: 17-11/16" (449mm) H: 12-7/8" (328mm) W: 4-13/16" (123mm)
- **Weight** - 7.05lbs (3.2kg)
- **Fasteners**  
- Insulation Nails
- **Applications**  
- Fix the insulation layer on the concrete and brick
- **Air Consumption**  
- 5.01L/cycle, 7kg/cm<sup>2</sup>
- **Fastener Specification**



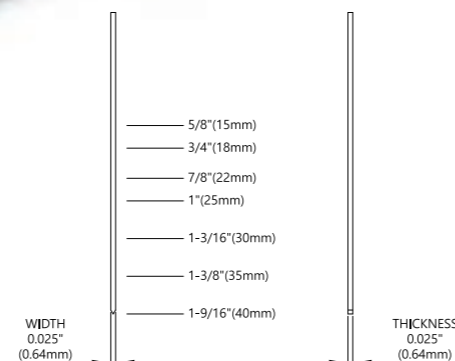
Type	Insulation Nails
Length	1-3/16" ~ 6-5/16" (30mm ~ 160mm)
Shank Dia.	.138" (3.5mm)
Head Dia.	.291" (7.4mm)
Load Capacity	1 nails

• Magnesium Body

# 640S

23GA. 1-9/16" Micro Pinner

- **Dimensions**  
- L: 9-15/16" (252mm) H: 7-7/8" (200mm) W: 1-7/8" (47mm)
- **Weight** - 2.64lbs (1.20kg)
- **Fasteners**  
- MAX : NF235A/23-35 - SENCO : FinishPro 10/CZ  
- BOSTITCH : HP118K/PT1312
- **Applications**  
- Cabinets - Trim  
- Finish and Trim  
- Mirror and Picture Frames
- **Air Consumption**  
- 0.23L/cycle, 6kg/cm<sup>2</sup>
- **Fastener Specification**

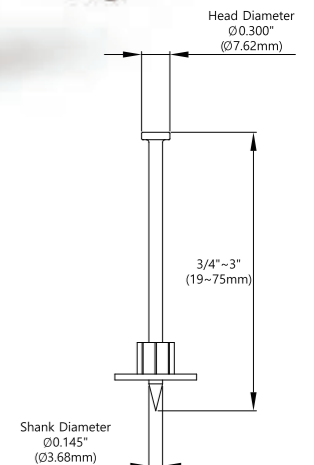


Type	23GA. Micro Pins
Length	5/8" ~ 1-9/16" (15mm ~ 40mm)
Width x Thickness	.025" x .025" (.64mm x .64mm)
Load Capacity	200

# IN160SC

Single Concrete Pin Nailer

- **Dimensions**  
- L: 13" (328mm) H: 17" (434mm) W: 4-7/8" (123mm)
- **Weight** - 7.5lbs (3.4kg)
- **Fasteners**  
- Single Concrete Nails
- **Applications**  
- Fastening wood, steel or other thin metal to concrete walls
- **Air Consumption**  
- 5.01L/cycle, 7kg/cm<sup>2</sup>
- **Fastener Specification**



Type	Concrete Nail
Length	3/4" ~ 3" (19mm ~ 75mm)
Shank Dia.	.145" (3.68mm)
Head Dia.	.300" (7.62mm)
Load Capacity	1 Nails

• Magnesium Body

# JCN65

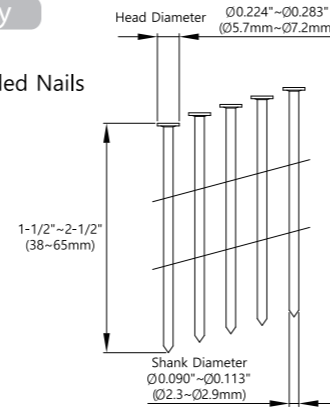
Industrial Coil Nailer

- Dimensions
  - L: 11-3/4" (298.8mm) H: 12" (305mm) W: 5" (128mm)
- Weight - 6.5lbs (2.94kg)
- Fasteners
  - EVERWIN : PN65M - MAX : CN665
- Applications
  - Making and Repairing wooden pallets and boxes
  - Types of packing and crating work
  - Fencing, framing, roof decking, flooring
  - Flooring and building a wooden wall
- Air Consumption
  - 2.08L/cycle, 7kg/cm<sup>2</sup>
- Fastener Specification



● Magnesium Body

15 Degree Flat Wire Welded Nails



<b>Type</b>	15° Flat Wire Welded Nails
<b>Length</b>	1-1/2" ~ 2-1/2" (38mm ~ 65mm)
<b>Shank Dia.</b>	.090"~ .113" (2.3mm~2.9mm)
<b>Head Dia.</b>	.224"~ .283" (5.7mm~7.2mm)
<b>Load Capacity</b>	225~300 Nails

DEPTH CONTACT ARM SET (JCN65D-S-P001)



# JN65S

Siding Coil Nailer

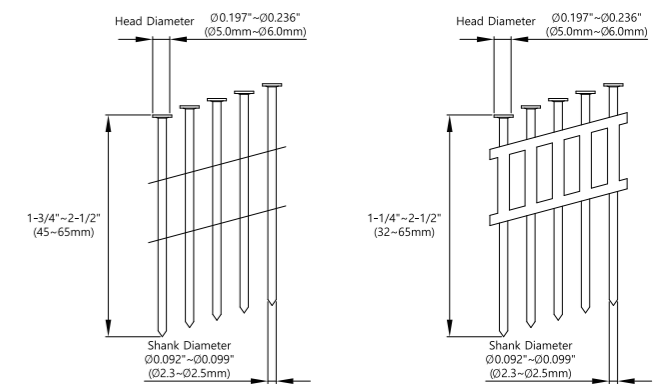
- Dimensions
  - L: 10-11/32" (263mm) H: 12" (305mm) W: 5-5/16" (134mm)
- Weight - 4.6lbs (2.1kg)
- Fasteners
  - BOSTITCH : N66C
  - MAX : CN565S
  - HITACHI : NV65AH
- Applications
  - General construction work including siding
  - Decking/ Panel sheathing
- Air Consumption
  - 1.57L/cycle, 7kg/cm<sup>2</sup>
- Fastener Specification



● Magnesium Body

15°Degree Flat Wire Welded Nails

15°Degree Flat Plastic sheet Collated Nails



<b>Type</b>	15°Flat Wire Welded Nails/ 15°Flat Plastic Sheet Collated Nails
<b>Length</b>	Flat Wire :1-3/4" ~ 2-1/2" (45mm ~ 65mm) Flat Plastic :1-1/4" ~ 2-1/2" (32mm ~ 65mm)
<b>Shank Dia.</b>	.092"~ .099" (2.3mm x 2.5mm)
<b>Head Dia.</b>	.197"~ .236" (5.0~6.0mm)
<b>Load Capacity</b>	200~300 Nails

# JN45R

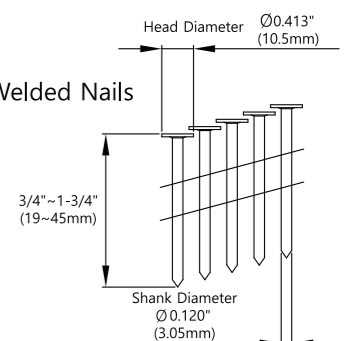
Roofing Coil Nailer

- Dimensions
  - L: 10-1/2" (267mm) H: 10-1/2" (267mm) W: 4-7/16" (113mm)
- Weight - 4.98lbs (2.26kg)
- Fasteners
  - BOSTITCH : RN45B - MAX : CN 450R, CN445R
  - SENCO : RoofPro Series - HITACHI : NV45 Series
- Applications
  - Siding Installation
  - Wooden Box Assembly
  - Fastening asphalt & fiberglass shingles
- Air Consumption
  - 1.52L/cycle, 7kg/cm<sup>2</sup>
- Fastener Specification



● Magnesium Body

15°Degree Dome Wire Welded Nails



<b>Type</b>	15° Roofing Coil Nails
<b>Length</b>	3/4" ~ 1-3/4" (19mm ~ 45mm)
<b>Shank Dia.</b>	.120" (3.05mm)
<b>Head Dia.</b>	.413" (10.5mm)
<b>Load Capacity</b>	120 Nails

## JCN55 Industrial Coil Nailer ENERGY BOOSTED

- **Dimensions**  
- L: 10-5/8" (270mm) H: 11-5/8" (283mm) W: 5-1/8" (131mm)
- **Weight** - 5.5lbs(2.5kg)
- **Fasteners**  
- MAX : CN55
- **Applications**  
- Pallet Assembly - Crate Assembly
- **Features**  
Designed to drive up to 2-1/4" nail with **extra power 20% more energy**  
**Multi-directional exhaust cover**
- **Air Consumption**  
- 1.56L/cycle, 7kg/cm<sup>2</sup>
- **Fastener Specification**

<b>Type</b>	15° Flat Wire Welded Nails
<b>Length</b>	1" ~ 2-1/4" (25mm ~ 57mm)
<b>Shank Dia.</b>	.083"~ .090" (2.1mm~2.3mm)
<b>Head Dia.</b>	.197"~ .224" (5.0mm~5.7mm)
<b>Load Capacity</b>	300~400 Nails

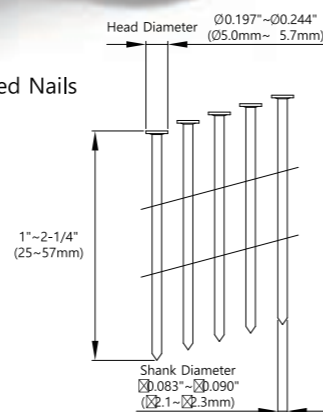
## JCN55E Industrial Coil Nailer ENERGY BOOSTED

- **Dimensions**  
- L: 10-5/8" (270mm) H: 11-5/8" (283mm) W: 5-1/8" (131mm)
- **Weight** - 5.5lbs(2.5kg)
- **Fasteners**  
- MAX : CN55
- **Applications**  
- Pallet Assembly - Crate Assembly
- **Features**  
Designed to drive up to 2-1/4" nail with **extra power 15% more energy**  
**Fixed exhaust system**
- **Air Consumption**  
- 1.56L/cycle, 7kg/cm<sup>2</sup>
- **Fastener Specification**

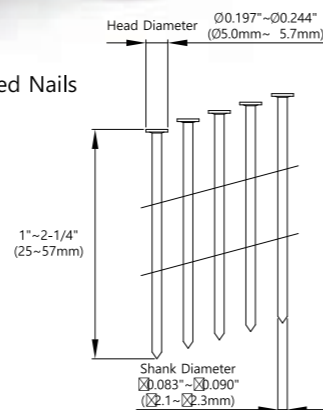
<b>Type</b>	15° Flat Wire Welded Nails
<b>Length</b>	1" ~ 2-1/4" (25mm ~ 57mm)
<b>Shank Dia.</b>	.083"~ .090" (2.1mm~2.3mm)
<b>Head Dia.</b>	.197"~ .224" (5.0mm~5.7mm)
<b>Load Capacity</b>	300~400 Nails



15°Degree Flat Wire Welded Nails



15°Degree Flat Wire Welded Nails



## JCN70

Industrial Coil Nailer

- **Dimensions**  
- L: 12-1/16"(306mm)H: 12-7/16" (315mm)W: 5" (128mm)
- **Weight** - 7.6lbs(3.5kg)
- **Fasteners**  
- MAX : CN70
- **Applications**  
- Making and Repairing wooden pallets and boxes  
- Types of packing and crating work  
- Fencing, framing, roof decking, flooring  
- Flooring and building a wooden wall
- **Air Consumption**  
- 2.48L/cycle, 7kg/cm<sup>2</sup>
- **Fastener Specification**

<b>Type</b>	15° Flat Wire Welded Nails
<b>Length</b>	1-3/4" ~ 2-3/4" (45mm ~ 70mm)
<b>Shank Dia.</b>	.090"~ .113" (2.3mm~2.9mm)
<b>Head Dia.</b>	.224"~ .283" (5.7mm~7.2mm)
<b>Load Capacity</b>	225~300 Nails

## JCN80

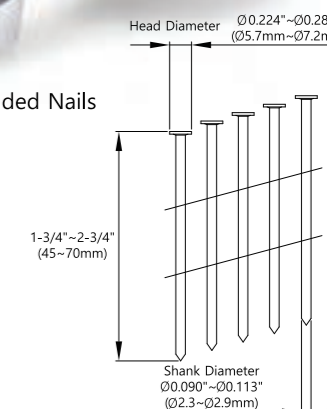
Industrial Coil Nailer

- **Dimensions**  
- L: 13-13/16"(351mm)H: 13-1/4" (336.5mm)W: 5-3/8" (137mm)
- **Weight** - 8.3lbs(3.76kg)
- **Fasteners**  
- MAX : CN80  
- HITACHI : NV83
- **Applications**  
- Making and Repairing wooden pallets and boxes  
- All Types of packing and crating work  
- Fencing, framing, roof decking, flooring
- **Air Consumption**  
- 2.65L/cycle, 7kg/cm<sup>2</sup>
- **Fastener Specification**

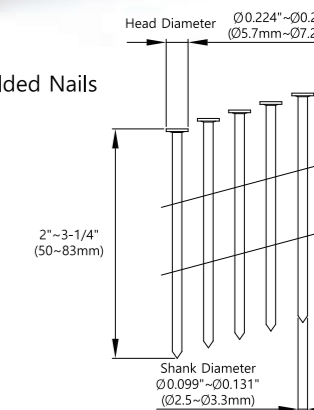
<b>Type</b>	15° Flat Wire Welded Nails
<b>Length</b>	2" ~ 3-1/4" (50mm ~ 83mm)
<b>Shank Dia.</b>	.099"~ .131" (2.5mm~3.3mm)
<b>Head Dia.</b>	.224"~ .283" (5.7mm~7.2mm)
<b>Load Capacity</b>	250~300 Nails



15°Degree Flat Wire Welded Nails



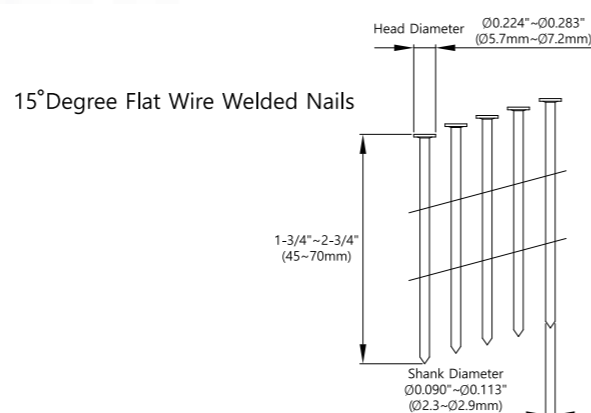
15°Degree Flat Wire Welded Nails



## JCN70PAL Machine-Mounted Coil Nailer

- Dimensions
  - L: 12-1/16"(306mm)H: 12-7/16"(315mm)W: 4-7/16"(113mm)
- Weight - 6.6lbs(3.0kg)
- Fasteners
  - MAX : CN70
- Applications
  - Machine-Mounted
  - Pallet Assembly
  - Crate Assembly
  - Manufactured Housing
- Air Consumption
  - 2.48L/cycle, 7kg/cm<sup>2</sup>
- Fastener Specification

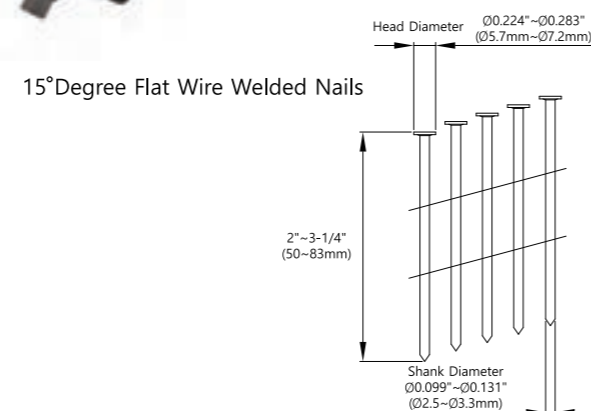
<b>Type</b>	15° Flat Wire Welded Nails
<b>Length</b>	1-3/4" ~ 2-3/4" (45mm ~ 70mm)
<b>Shank Dia.</b>	.090"~ .113" (2.3mm~2.9mm)
<b>Head Dia.</b>	.224"~ .283" (5.7mm~7.2mm)



## JCN80PAL Machine-Mounted Coil Nailer

- Dimensions
  - L: 13-13/16"(351mm)H: 13-1/4"(336.5mm)W: 4-7/16"(113mm)
- Weight - 7.3lbs(3.3kg)
- Fasteners
  - MAX : CN80 - HITACHI : NV83
- Applications
  - Machine-Mounted
  - Pallet Assembly
  - Crate Assembly
  - Manufactured Housing
- Air Consumption
  - 2.65L/cycle, 7kg/cm<sup>2</sup>
- Fastener Specification

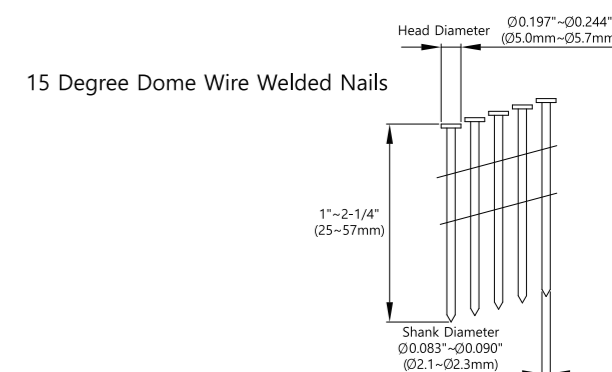
<b>Type</b>	15° Flat Wire Welded Nails
<b>Length</b>	2" ~ 3-1/4" (50mm ~ 83mm)
<b>Shank Dia.</b>	.099"~ .131" (2.5mm~3.3mm)
<b>Head Dia.</b>	.224"~ .283" (5.7mm~7.2mm)



## JN55C Industrial Coil Nailer

- Dimensions
  - L: 10-3/4"(273mm)H: 10-19/32"(269mm)W: 5-5/16"(135mm)
- Weight - 5.8lbs(2.63kg)
- Fasteners
  - MAX : CN55 - BOSTITCH : N57C
  - SENCO : PalletPro 57F
- Applications
  - Making wooden crate
  - Making and Repairing Pallets
  - Fencing, Siding, Decking and Sheathing
- Air Consumption
  - 1.50L/cycle, 7kg/cm<sup>2</sup>
- Fastener Specification

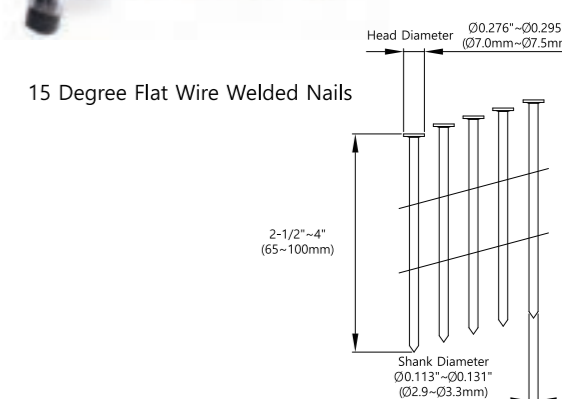
<b>Type</b>	15° Flat Wire Welded Nails
<b>Length</b>	1" ~ 2-1/4" (25mm ~ 57mm)
<b>Shank Dia.</b>	.083"~ .090" (2.1mm~2.3mm)
<b>Head Dia.</b>	.197"~ .224" (5.0mm~5.7mm)
<b>Load Capacity</b>	300~400 Nails



## JN100C Industrial Coil Nailer

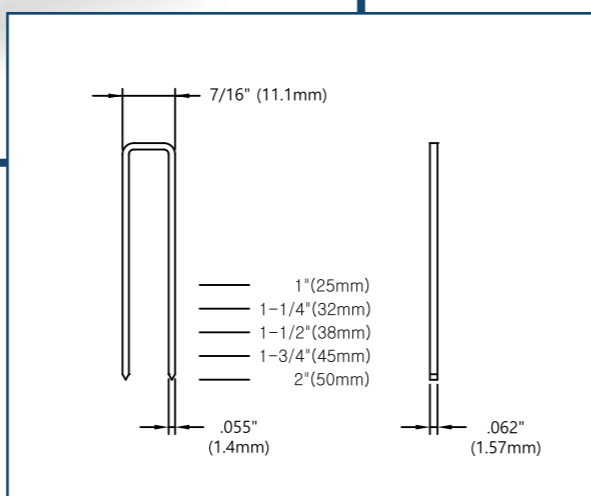
- Dimensions
  - L: 14-7/8"(378mm)H: 15-15/16"(405mm)W: 6"(153mm)
- Weight - 12.4lbs(5.6kg)
- Fasteners
  - MAX : CN100
- Applications
  - Making wooden pallets
  - Heavy duty wooden boxes
  - Crating
  - Packaging
- Air Consumption
  - 4.84L/cycle, 7kg/cm<sup>2</sup>
- Fastener Specification

<b>Type</b>	15° Flat Wire Welded Nails
<b>Length</b>	2-1/2" ~ 4" (65mm ~ 100mm)
<b>Shank Dia.</b>	.113"~ .131" (2.9mm ~ 3.3mm)
<b>Head Dia.</b>	.276"~ .295" (7.0mm ~ 7.5mm)
<b>Load Capacity</b>	200~250 Nails



# HEAVY DUTY JNS50HD

16GA. 7/16" Medium Crown Stapler



### ● Features

- Quick Firing Trigger System
- End cap filter included
- Easily accessible jam clearing system
- Trigger locking mechanism
- Adjustable depth control
- Easy bolt on/off system for clearing jams
- Equipped with a covered guide body for heavy duty and high speed operations.

### ● Applications

- Flooring and building a wooden wall
- Fencing, framing, roof decking, flooring
- Types of packing and crating work
- Making and Repairing wooden pallets and boxes

## JNS45

16GA. 7/16" Medium Crown Stapler

### ● Dimensions

- L: 13-3/4"(349mm) H: 11-3/4" (298mm) W: 3-11/16" (94mm)

● Weight - 4.9lbs(2.22kg)

### ● Fasteners

- MAX : TA551 - SENCO : SNS45XP/N

- HITACHI : N5008AC/11200

### ● Applications

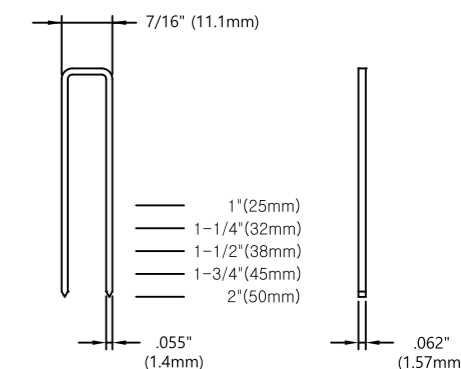
- Sheathing and Subflooring
- Roof Decking - Crate & Wooden box
- Furniture & Pallets

### ● Air Consumption

- 1.64L/cycle, 7kg/cm<sup>2</sup>

### ● Fastener Specification

Type	16GA. 7/16" Medium Crown Staples
Length	1"~ 2" (25mm~50mm)
Crown	7/16" (11.1mm)
Width x Thickness	.055" x .062" (1.4mm~1.57mm)
Load Capacity	160



## JNS45L

16GA. 7/16" Medium Crown  
Double Length Magazine Stapler

### ● Dimensions

- L: 23-7/32" (590mm) H: 11-3/4" (298mm) W: 3-11/16" (94mm)

● Weight - 7.38lbs(3.35kg)

### ● Fasteners

- MAX : TA551

- SENCO : SNS45XP/N

### ● Applications

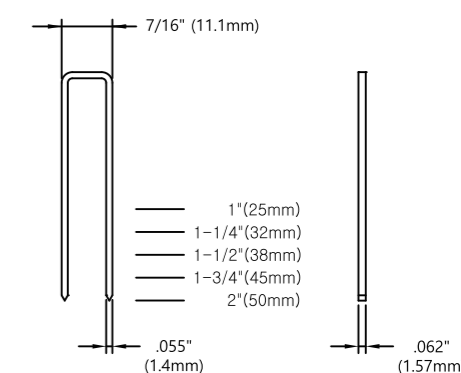
- Furniture & Pallets
- Machine Automation

### ● Air Consumption

- 1.64L/cycle, 7kg/cm<sup>2</sup>

### ● Fastener Specification

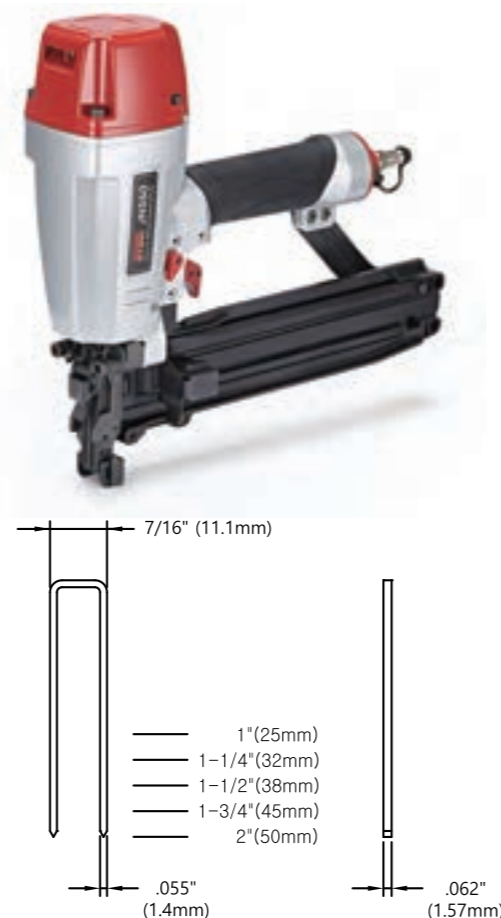
Type	16GA. 7/16" Medium Crown Staples
Length	1"~ 2" (25mm~50mm)
Crown	7/16" (11.1mm)
Width x Thickness	.055" x .062" (1.4mm~1.57mm)
Load Capacity	320



## JNS50 16GA. 7/16" Medium Crown Stapler

- **Dimensions**
  - L: 11-5/8"(294.5mm)H: 13-15/16" (353.5mm)W: 3-4/16"(81mm)
- **Weight** - 5.07lbs(2.3kg)
- **Fasteners**
  - MAX : TA551 - Senco : SNS45XP/N
  - HITACHI : N5008AC/11200
- **Applications**
  - Flooring and building a wooden wall
  - Fencing, framng, roof decking, flooring
  - Types of packing and crating work
- **Air Consumption**
  - 1.42L/cycle, 7kg/cm<sup>2</sup>
- **Fastener Specification**

<b>Type</b>	16GA. 7/16" Medium Crown Staples
<b>Length</b>	1"~ 2" (25mm~50mm)
<b>Crown</b>	7/16" (11.1mm)
<b>Width x Thickness</b>	.055" x .062" (1.4mm~1.57mm)
<b>Load Capacity</b>	160



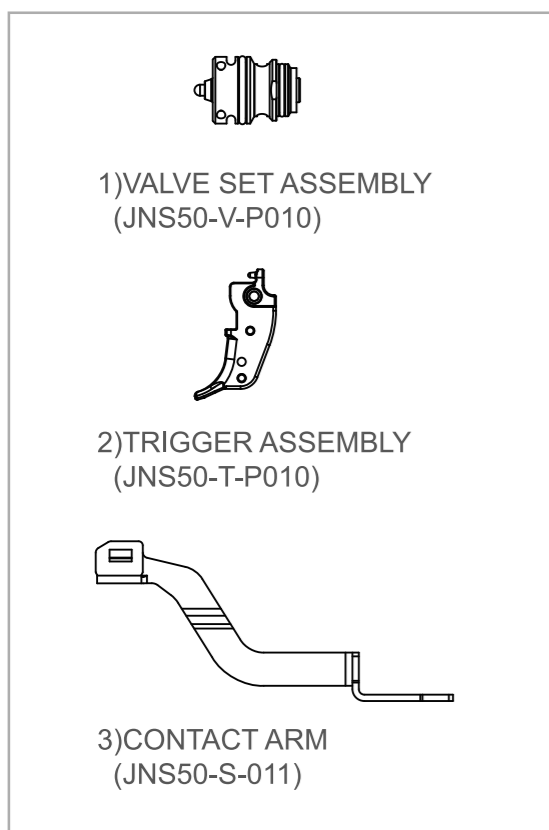
## JPS38 16GA. 1" Wide Crown Stapler

- **Dimensions**
  - L: 10-5/16"(262mm) H: 14-5/16" (364mm) W: 3" (76mm)
- **Weight** - 5.0lbs(2.28kg)
- **Fasteners**
  - DUO FAST : RNS17481/1716CGR
  - HITACHI : N5024A/11300 - Senco : PW150R/P
- **Applications**
  - General construction work
  - Lathing
  - Sheathing
- **Air Consumption**
  - 1.17L/cycle, 7kg/cm<sup>2</sup>
- **Fastener Specification**

<b>Type</b>	16GA. 1" Wide Crown Staples
<b>Length</b>	3/4"~ 1-1/2" (19mm~38mm)
<b>Crown</b>	1" (26.2mm)
<b>Width x Thickness</b>	.055" x .062" (1.40mm~1.57mm)
<b>Load Capacity</b>	160



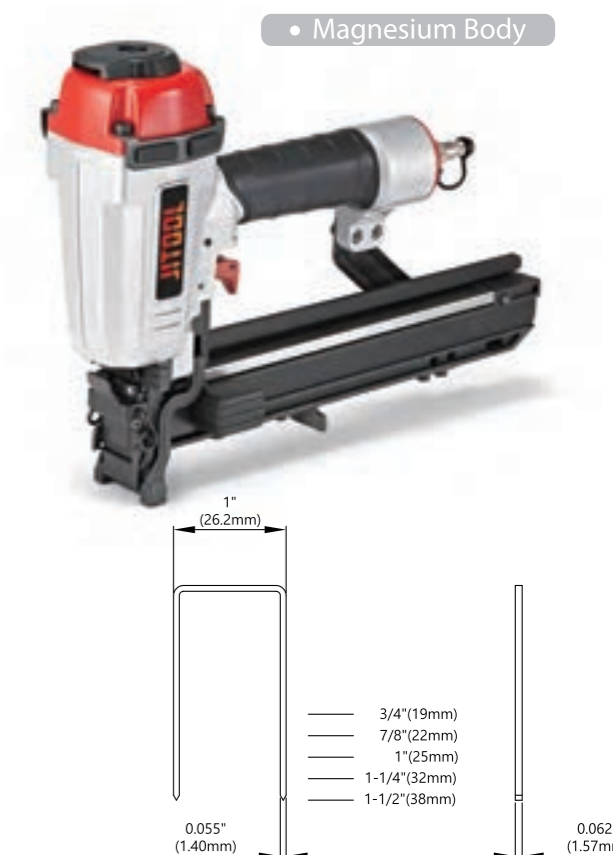
## SQT02 SEQUENTIAL TRIP CONVERSION KIT VINYL SIDING CONTACT FOOT (JNS50-S-014)



## JPS38R 16GA. 1" Wide Crown Roofing Stapler

- **Dimensions**
  - L: 14-7/16"(367mm) H: 10-3/8" (263mm) W: 3-17/32"(90mm)
- **Weight** - 5.3lbs(2.40kg)
- **Fasteners**
  - Senco : PW150R/P - HITACHI : N5024A/11300
  - DUO FAST : RNS-17481/1716CGR Series
- **Applications**
  - Fastening asphalt & fiberglass Roof shingles
  - Construction
  - Wooden working-furniture, Box assembly
- **Air Consumption**
  - 1.17L/cycle, 7kg/cm<sup>2</sup>
- **Fastener Specification**

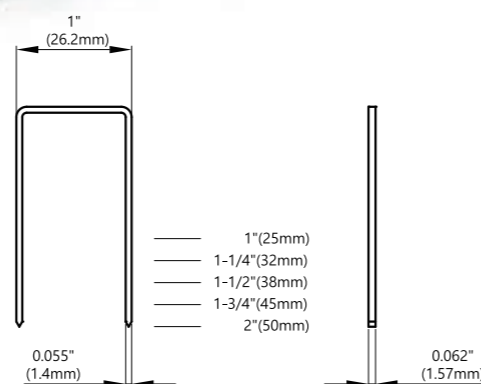
<b>Type</b>	16GA. 1" Wide Crown Staples
<b>Length</b>	3/4" ~ 1" (19mm ~ 38mm)
<b>Crown</b>	1" (26.2mm)
<b>Width x Thickness</b>	.055" x .062" (1.40mm~1.57mm)
<b>Load Capacity</b>	160



## JPS50

16GA. 1" Wide Crown Stapler

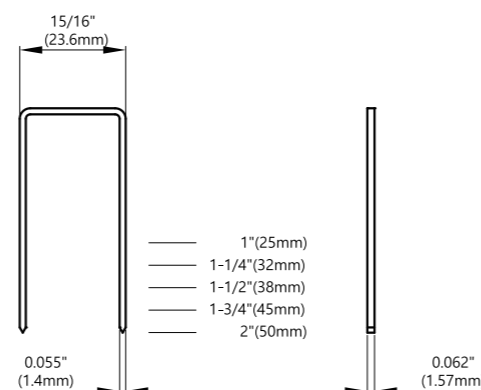
- **Dimensions**
  - L: 14-1/4"(361mm) H: 9-11/16"(246mm) W: 3-5/16"(84mm)
- **Weight** - 5.4lbs(2.42kg)
- **Fasteners**
  - SENCO : PS20XP
  - EVERWIN : SN402P      - METABO : N5024A2
- **Applications**
  - Wire Lathing                      - Wire Fencing
  - Foam Insulation Board      - Corrugated Carton to Skid
  - Furniture & Cabinet Frames
- **Air Consumption**
  - 1.21L/cycle, 7kg/cm<sup>2</sup>
- **Fastener Specification**



## JPS50P

16GA. 15/16" Wide Crown Stapler

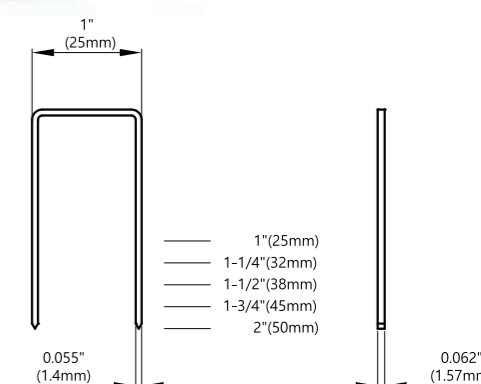
- **Dimensions**
  - L: 14-1/4"(361mm) H: 9-11/16"(263mm) W: 3-5/16"(84mm)
- **Weight** - 5.3lbs(2.39kg)
- **Fasteners**
  - PASLODE : WCS200
- **Applications**
  - Wire Lathing                      - Wire Fencing
  - Foam Insulation Board      - Corrugated Carton to Skid
  - Furniture & Cabinet Frames
- **Air Consumption**
  - 1.21L/cycle, 7kg/cm<sup>2</sup>
- **Fastener Specification**



## JPS50B

16GA. 1" Wide Crown Stapler

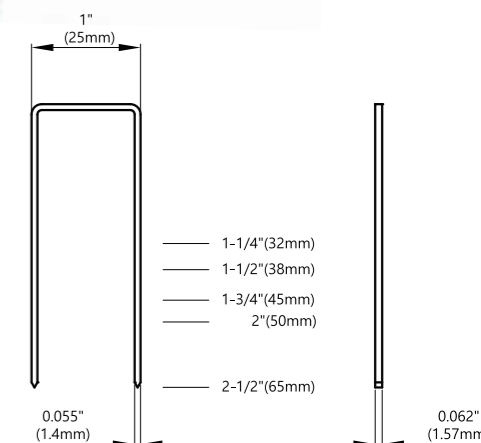
- **Dimensions**
  - L: 14-1/4"(361mm) H: 9-11/16"(246mm) W: 3-5/16"(84mm)
- **Weight** - 5.3lbs(2.40kg)
- **Fasteners**
  - BOSTITCH : 450S2-1
  - EVERWIN : SN402S2
- **Applications**
  - Wire Lathing                      - Wire Fencing
  - Foam Insulation Board      - Corrugated Carton to Skid
  - Furniture & Cabinet Frames
- **Air Consumption**
  - 1.21L/cycle, 7kg/cm<sup>2</sup>
- **Fastener Specification**



## JPS65B

16GA. 1" Wide Crown Stapler

- **Dimensions**
  - L: 14-1/4"(361mm) H: 10-1/8"(258mm) W: 14-1/4"(84mm)
- **Weight** - 5.7lbs(2.59kg)
- **Fasteners**
  - SPOTNAILS : X1S1664
- **Applications**
  - Foam Insulation Board
  - Wire Lathing
  - Furniture & Cabinet Frames
  - Corrugated Carton to Skid
- **Air Consumption**
  - 1.27L/cycle, 7kg/cm<sup>2</sup>
- **Fastener Specification**



# TRS25B

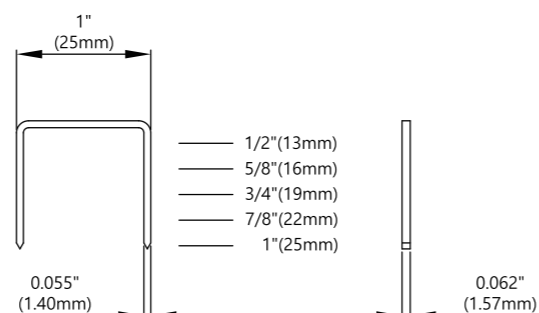
16GA. 1" Wide Crown Stapler

- **Dimensions**
  - L: 14-13/16"(376mm) H: 9" (229mm) W: 3-17/32" (90mm)
- **Weight** - 5.31lbs(2.41kg)
- **Fasteners**
  - BOSTITCH : BCS(16S2) Series
- **Applications**
  - Truss
  - Sheathing
  - Furniture framing
  - General construction works
- **Air Consumption**
  - 0.98L/cycle, 7kg/cm<sup>2</sup>
- **Fastener Specification**



• Magnesium Body

Unrestricted Quick Firing trigger system.



<b>Type</b>	16GA. 1" Wide Crown Staples
<b>Length</b>	1/2"~ 1" (13mm~25mm)
<b>Crown</b>	1" (25mm)
<b>Width x Thickness</b>	.055" x .062" (1.4mm~1.57mm)
<b>Load Capacity</b>	160

# TRS25S

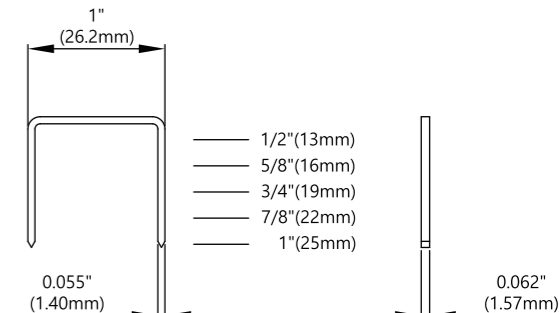
16GA. 1" Wide Crown Stapler

- **Dimensions**
  - L: 14-13/16"(376mm) H: 9" (229mm) W: 3-17/32" (90mm)
- **Weight** - 5.35lbs(2.43kg)
- **Fasteners**
  - SENCO : P Series
- **Applications**
  - Truss
  - Sheathing
  - Furniture framing
  - General construction works
- **Air Consumption**
  - 0.98L/cycle, 7kg/cm<sup>2</sup>
- **Fastener Specification**



• Magnesium Body

Unrestricted Quick Firing trigger system.



<b>Type</b>	16GA. 1" Wide Crown Staples
<b>Length</b>	1/2" ~ 1" (13mm~25mm)
<b>Crown</b>	1" (26.2mm)
<b>Width x Thickness</b>	.055" x .062" (1.4mm~1.57mm)
<b>Load Capacity</b>	160

# TRS25SB

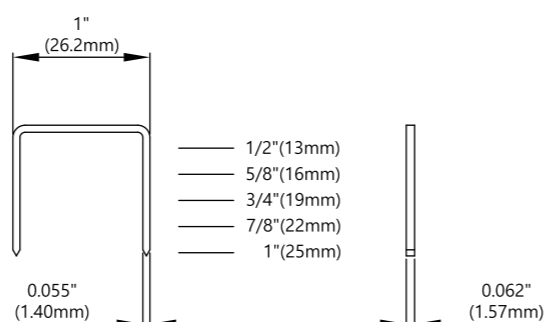
16GA. 1" Wide Crown Stapler

- **Dimensions**
  - L: 14-13/16"(376mm) H: 9" (229mm) W: 3-17/32" (90mm)
- **Weight** - 5.35lbs(2.43kg)
- **Fasteners**
  - SENCO : P Series
- **Applications**
  - Truss
  - Sheathing
  - Furniture framing
  - General construction works
- **Air Consumption**
  - 0.98L/cycle, 7kg/cm<sup>2</sup>
- **Fastener Specification**



• Magnesium Body

Unrestricted Quick Firing trigger system.



<b>Type</b>	16GA. 1" Wide Crown Staples
<b>Length</b>	1/2" ~ 1" (13mm~25mm)
<b>Crown</b>	1" (26.2mm)
<b>Width x Thickness</b>	.055" x .062" (1.40mm~1.57mm)
<b>Load Capacity</b>	160

GUIDE COVER HAMMER (TRS25S-G-203)



RESTRICTIVE KIT W/O TRIGGER  
BOSTITCH SEQ06 SEQUENTIAL TRIGGER SET REQUIRED  
(TRS25S SEQ KIT)  
(TRS25S-S-P101 SINGLE SHOT CONTACT ARM)  
(TRS25S-V-110 SINGLE SHOT PLUNGER)



# TRS38S

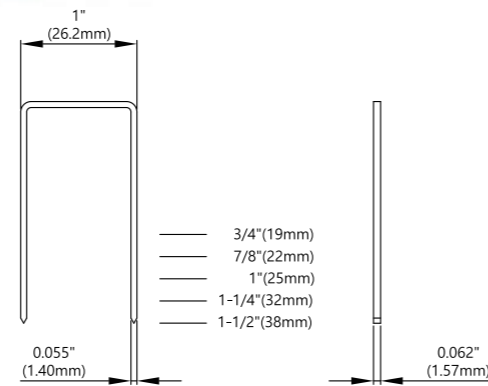
16GA. 1" Wide Crown Stapler

- **Dimensions**
  - L: 14-1/4" (362mm) H: 10-5/16" (262mm) W: 3" (76mm)
- **Weight** - 5.3lbs(2.42kg)
- **Fasteners**
  - DUO FAST : RNS-17481/1716CGR
  - HITACHI : N5024/11300 - SENCO : PW/P Series
- **Applications**
  - Lathing & Insulation - Box Assembly
  - Construction - Wooden working-furniture
- **Air Consumption**
  - 1.17L/cycle, 7kg/cm<sup>2</sup>
- **Fastener Specification**

<b>Type</b>	16GA. 1" Wide Crown Staples
<b>Length</b>	3/4"~ 1-1/2" (19mm~38mm)
<b>Crown</b>	1" (26.2mm)
<b>Width x Thickness</b>	.055" x .062" (1.4mm~1.57mm)
<b>Load Capacity</b>	160

Unrestricted Quick Firing trigger system.

- Magnesium Body

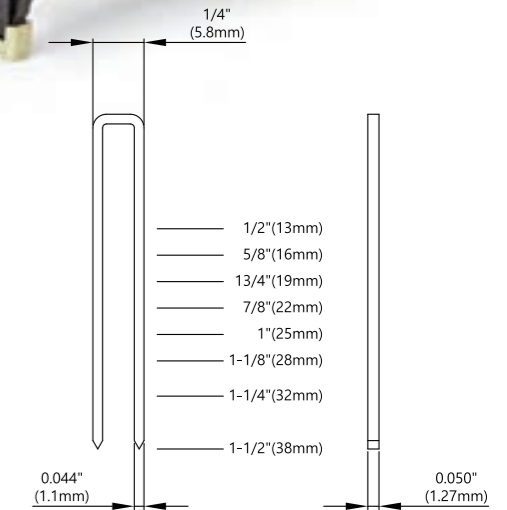


# JLS38S

18GA. 1/4" Narrow Crown Stapler

- **Dimensions**
  - L: 12-1/8" (307mm) H: 9-5/16" (236mm) W: 2-3/8" (60mm)
- **Weight** - 2.95lbs(1.35kg)
- **Fasteners**
  - BEA : NS/90 Series - SENCO : SLS/L Series
  - DUO FAST : SURESHOT 1820/1800
- **Applications**
  - Cabinets
  - Wooden Crate
  - Furniture Manufacturing
- **Air Consumption**
  - 0.69L/cycle, 7kg/cm<sup>2</sup>
- **Fastener Specification**

<b>Type</b>	18GA. 1/4" Narrow Crown Staples
<b>Length</b>	1/2"~ 1-1/2" (13mm~38mm)
<b>Crown</b>	1/4" (5.8mm)
<b>Width x Thickness</b>	.044" x .050" (1.1mm~1.27mm)
<b>Load Capacity</b>	170

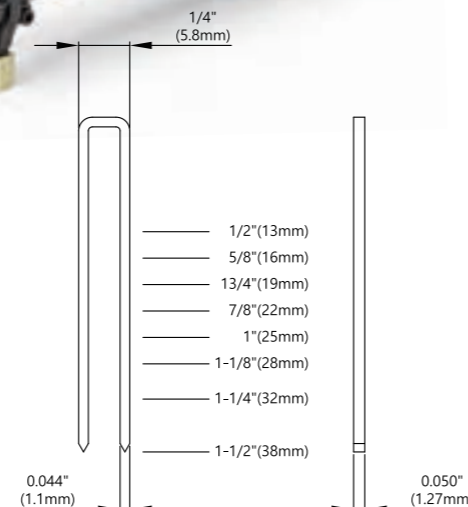


# JLS38N

18GA. 1/4" Narrow Crown Stapler

- **Dimensions**
  - L: 12-1/8" (307mm) H: 9-5/16" (236mm) W: 2-3/8" (60mm)
- **Weight** - 2.95lbs(1.35kg)
- **Fasteners**
  - BEA : NS/90 Series - SENCO : SLS/L Series
  - DUO FAST : SURESHOT 1820/1800
- **Applications**
  - Cabinets
  - Wooden Crate
  - Furniture Manufacturing
- **Air Consumption**
  - 0.69L/cycle, 7kg/cm<sup>2</sup>
- **Fastener Specification**

<b>Type</b>	18GA. 1/4" Narrow Crown Staples
<b>Length</b>	1/2"~ 1-1/2" (13mm~38mm)
<b>Crown</b>	1/4" (5.8mm)
<b>Width x Thickness</b>	.044" x .050" (1.1mm~1.27mm)
<b>Load Capacity</b>	170

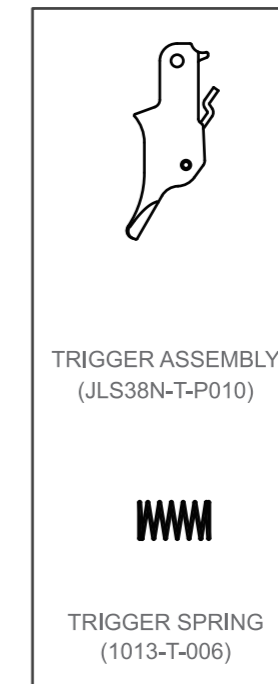


PRECISION CONTACT ARM (JLS38S-S-001)



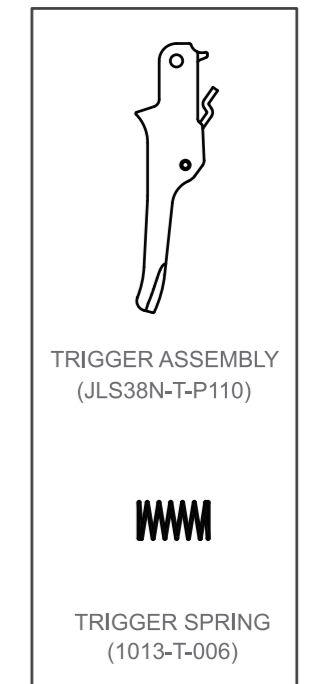
JLS38N-T-SQ1

(FOR MODEL JLS38N, JLS38S)



JLS38N-T-SQ2

(FOR MODEL JLS38N, JLS38S)



## JQS65

15GA. 7/16" Crown Stapler

- **Dimensions**
  - L: 14-1/4" (362mm) H: 12-13/16" (326mm) W: 4" (101mm)
- **Weight** - 5.51lbs(2.5kg)
- **Fasteners**
  - SENCO : SQS 55XP
- **Applications**
  - Sheathing and Sub-flooring
  - Furniture Framing
  - Pallet & Box Assembly
- **Air Consumption**
  - 1.96L/cycle, 7kg/cm<sup>2</sup>

### ● Fastener Specification

<b>Type</b>	15GA. 7/16" Crown Staples
<b>Length</b>	1-1/4"~ 2-1/2" (32mm~65mm)
<b>Crown</b>	7/16" (11.1mm)
<b>Width x Thickness</b>	.067" x .074" (1.70mm x 1.88mm)
<b>Load Capacity</b>	130



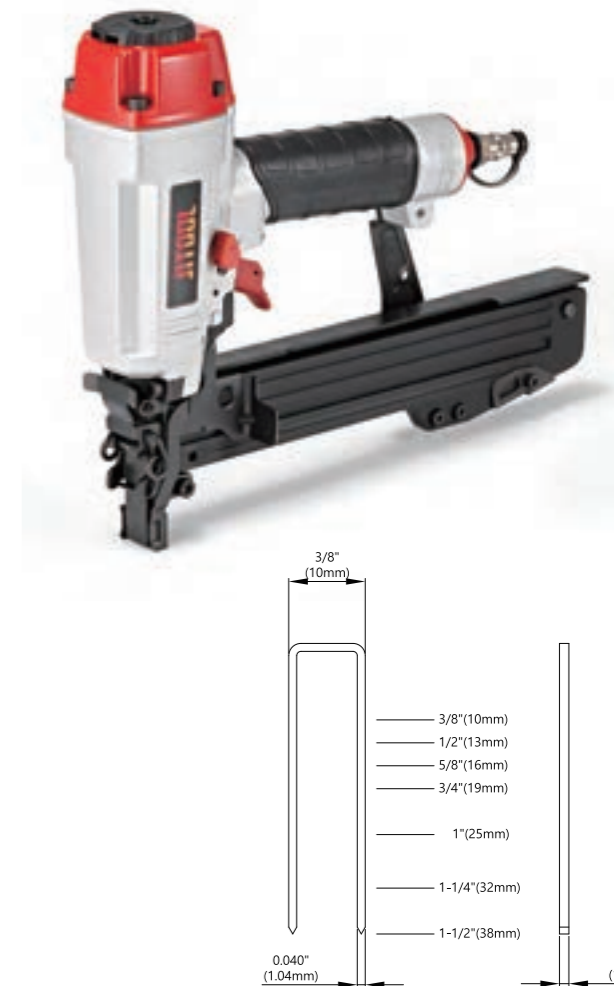
## JMS38

18GA. 3/8" Medium Crown Stapler

- **Dimensions**
  - L: 12-1/8" (307mm) H: 9-5/16" (236.5mm) W: 2-3/8" (60mm)
- **Weight** - 2.89lbs(1.31kg)
- **Fasteners**
  - SENCO : SLS/M Series
- **Applications**
  - Sheathing - Vinyl siding
  - Sub-flooring - Furniture
  - Pallet & Box Assembly - Furniture Framing
- **Air Consumption**
  - 0.69L/cycle, 7kg/cm<sup>2</sup>

### ● Fastener Specification

<b>Type</b>	18GA. 3/8" Medium Crown Staples
<b>Length</b>	3/8"~ 1-1/2" (10mm~38mm)
<b>Crown</b>	3/8" (11.1mm)
<b>Width x Thickness</b>	.040" x .050" (1.04mm~1.27mm)
<b>Load Capacity</b>	170



## JQS65B

15GA. 1/2" Crown Stapler

- **Dimensions**
  - L: 14-1/4" (362mm) H: 12-13/16" (326mm) W: 4" (101mm)
- **Weight** - 5.51lbs(2.5kg)
- **Fasteners**
  - BOSTITCH : 863S4-1
- **Applications**
  - Sheathing - Sub-flooring
  - Furniture Framing
  - Pallet & Box Assembly
- **Air Consumption**
  - 1.96L/cycle, 7kg/cm<sup>2</sup>

### ● Fastener Specification

<b>Type</b>	15GA. 1/2" Crown Staples
<b>Length</b>	1-1/4"~ 2-1/2" (32mm~65mm)
<b>Crown</b>	1/2" (12.7mm)
<b>Width x Thickness</b>	.067" x .074" (1.70mm~1.88mm)
<b>Load Capacity</b>	130



### SIDING CONTACT ARM (JMS38-S-002)



# JS16-50

20GA. 1/2" Crown Stapler

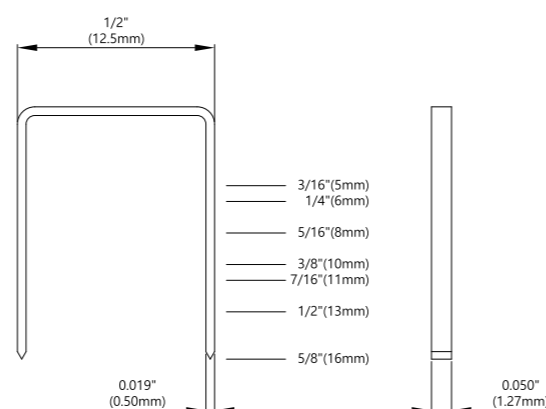
- **Dimensions**
  - L: 8-15/16" (227mm) H: 6-13/16" (147mm) W: 1-7/8" (47mm)
- **Weight** - 1.98lbs(0.90kg)
- **Fasteners**
  - BEA : 95 Series
  - DUO FAST : SureShot 5020/5000
- **Applications**
  - Upholstery & Bedding
  - Furniture Manufacturing

- **Air Consumption**

- 0.17L/cycle, 6kg/cm<sup>2</sup>

- **Fastener Specification**

<b>Type</b>	20GA. 1/2" Crown Staples
<b>Length</b>	3/16" ~ 5/8" (5mm ~ 16mm)
<b>Crown</b>	1/2" (12.5mm)
<b>Width x Thickness</b>	.019" x .050" (0.55mm x 1.27mm)
<b>Load Capacity</b>	95



# S71/16-22LN

22GA. 3/8" Long Nose Crown Stapler

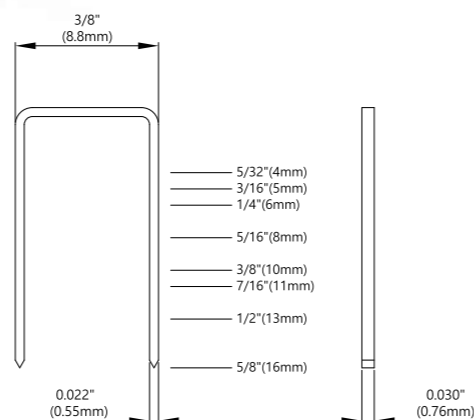
- **Dimensions**
  - L: 8-15/32" (215mm) H: 7-5/8" (194mm) W: 1-11/16" (43mm)
- **Weight** - 2.36lbs(1.07kg)
- **Fasteners**
  - BEA : 71/71 Series
  - DUO FAST : 3118/3100
  - SENCO : SFW08/C
  - BOSTITCH : BA T401/BA-71
- **Applications**
  - Cabinets
  - Bedding industry
  - Automobile industry
  - Upholstered furniture

- **Air Consumption**

- 0.17L/cycle, 6kg/cm<sup>2</sup>

- **Fastener Specification**

<b>Type</b>	22GA. 3/8" Long Nose Crown Staples
<b>Length</b>	5/32" ~ 5/8" (4mm ~ 16mm)
<b>Crown</b>	3/8" (8.8mm)
<b>Width x Thickness</b>	.022" x .030" (0.55mm x 0.76mm)
<b>Load Capacity</b>	190



# S71/16-22ALM

22GA. 3/8" Crown Double Length Magazine Auto Stapler



Easy Firing system from single fire to auto fire



Auto fire rate can be adjusted from 0 to 27 staples per second

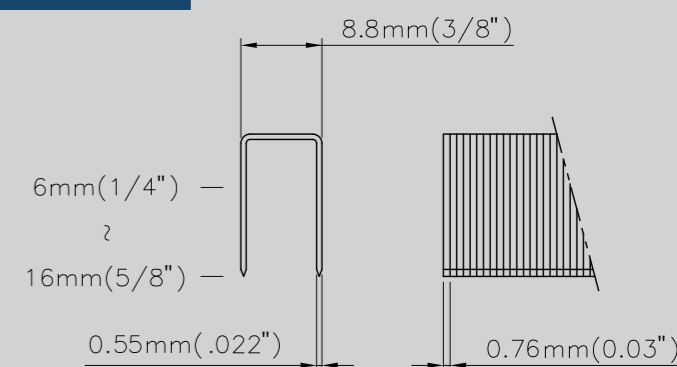


Same hand magazine pinky release

## • Features

- Easy Firing System
- Extended Magazine
- Durable Metal Magazine
- Easy Magazine On/Off system
- Auto fire rate can be adjusted from 0 to 27 staples/sec

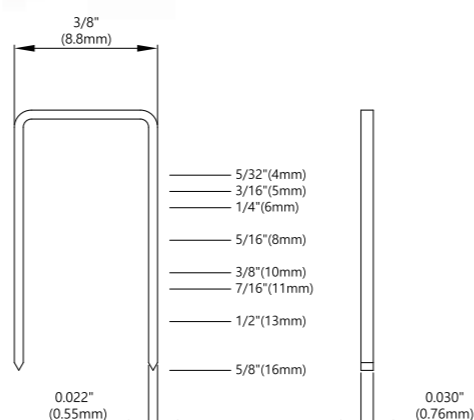
### • Fastener Specifications



## S71/16-22

22GA. 3/8" Crown Stapler

- **Dimensions**
  - L: 8-15/32" (215mm) H: 5-11/16" (145mm) W: 1-11/16" (43mm)
- **Weight** - 2.16lbs (0.98kg)
- **Fasteners**
  - BEA : 71/71 Series - DUO FAST : 3118/3100
  - SENCO : SFW08/C - BOSTITCH : BA T401/BA-71
- **Applications**
  - Cabinets - Bedding industry
  - Automobile industry
  - Upholstered furniture
- **Air Consumption**
  - 0.17L/cycle, 6kg/cm<sup>2</sup>
- **Fastener Specification**

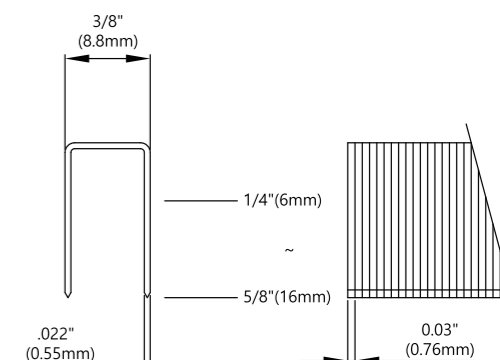


<b>Type</b>	22GA. 3/8" Crown Staples
<b>Length</b>	5/32" ~ 5/8" (4mm ~ 16mm)
<b>Crown</b>	3/8" (8.8mm)
<b>Width x Thickness</b>	.022" x .030" (0.55mm x 0.76mm)
<b>Load Capacity</b>	190

## S71/16-22A

22GA. 3/8" Crown Auto Stapler

- **Dimensions**
  - L: 12-1/2" (233mm) H: 6-1/8" (155mm) W: 1-21/32" (42mm)
- **Weight** - 2.65lbs (1.2kg)
- **Fasteners**
  - BEA : 71/14-451AL
  - FASCO : 7C-16AUT
- **Applications**
  - Insulation - Upholstering operations
  - Automotive vinyl roofs and interior trim
  - Molding and roofing felt - Cabinets
- **Air Consumption**
  - 0.18L/cycle, 6kg/cm<sup>2</sup>
- **Fastener Specification**

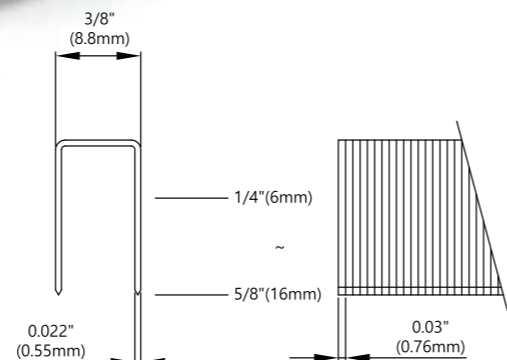


<b>Type</b>	22GA. 3/8" Crown Staples
<b>Length</b>	1/4" ~ 5/8" (6mm ~ 16mm)
<b>Crown</b>	3/8" (8.8mm)
<b>Width x Thickness</b>	.022" x .030" (0.55mm x 0.76mm)
<b>Load Capacity</b>	165 (MAX.185)

## S71/16-22ALM

22GA. 3/8" Crown Double Length Magazine Auto Stapler

- **Dimensions**
  - L: 14" (356mm) H: 6-1/8" (155mm) W: 1-21/32" (42mm)
- **Weight** - 2.95lbs (1.35kg)
- **Fasteners**
  - BEA : 71/14-451AL
  - FASCO : F1B 7C-16AUT. L.M
- **Applications**
  - Insulation - Upholstering operations
  - Automotive vinyl roofs and interior trim
  - Molding and roofing felt - Cabinets
- **Air Consumption**
  - 0.18L/cycle, 6kg/cm<sup>2</sup>
- **Fastener Specification**

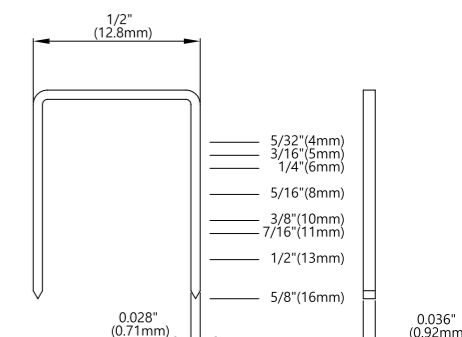


<b>Type</b>	22GA. 3/8" Crown Staples
<b>Length</b>	1/4" ~ 5/8" (6mm ~ 16mm)
<b>Crown</b>	3/8" (8.8mm)
<b>Width x Thickness</b>	.022" x .030" (0.55mm x 0.76mm)
<b>Load Capacity</b>	330 (MAX.378)

## S80/16-20

20GA. 1/2" Crown Stapler

- **Dimensions**
  - L: 8-15/32" (215mm) H: 5-11/16" (145mm) W: 1-11/16" (43mm)
- **Weight** - 2.13lbs (0.97kg)
- **Fasteners**
  - BEA : 380/80 Series
  - BOSTITCH : BA T400/BA-80
- **Applications**
  - Upholstered furniture - Bedding industry
  - TV & stereo cabinets - Wicker & rattan furniture
  - Automobile industry
- **Air Consumption**
  - 0.17L/cycle, 6kg/cm<sup>2</sup>
- **Fastener Specification**



<b>Type</b>	20GA. 1/2" Crown Staples
<b>Length</b>	5/32" ~ 5/8" (4mm ~ 16mm)
<b>Crown</b>	1/2" (12.8mm)
<b>Width x Thickness</b>	.028" x .036" (0.71mm x 0.92mm)
<b>Load Capacity</b>	155

## S80/16-20ALM

20GA. 1/2" Crown  
Double Length Magazine  
Auto Stapler

### ● Dimensions

- L: 14" (356mm) H: 6-1/8" (155mm) W: 1-21/32" (42mm)

● Weight - 2.86lbs(1.3kg)

### ● Fasteners

- BEA: 80/14-450ALM  
- FASCO: F1B 80-16 ALM

### ● Applications

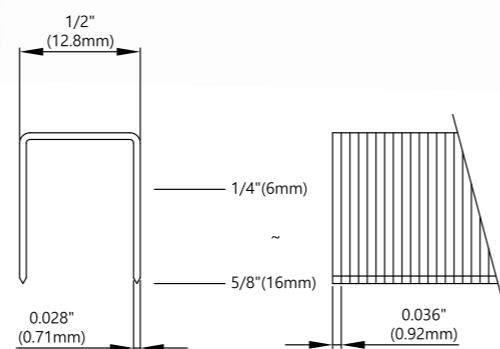
- Upholstery & Bedding  
- Furniture Manufacturing

### ● Air Consumption

- 0.18L/cycle, 6kg/cm<sup>2</sup>

### ● Fastener Specification

Type	20GA. 1/2" Crown Staples
Length	1/4" ~ 5/8" (6mm ~ 16mm)
Crown	1/2" (12.8mm)
Width x Thickness	.028" x .036" (0.71mm x 0.92mm)
Load Capacity	260



## S34/16-22

22GA. 3/16" Crown Stapler

### ● Dimensions

- L: 8-27/32" (225mm) H: 5-13/16" (147mm) W: 1-11/16" (43mm)

● Weight - 2.13lbs(0.97kg)

### ● Fasteners

- SENCO: A Series

### ● Applications

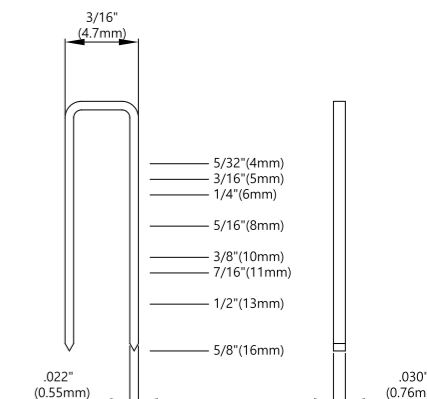
- Upholstery & Bedding  
- Furniture Manufacturing

### ● Air Consumption

- 0.17L/cycle, 6kg/cm<sup>2</sup>

### ● Fastener Specification

Type	22GA. 3/16" Crown Staples
Length	5/32" ~ 5/8" (4mm ~ 16mm)
Crown	3/16" (4.7mm)
Width x Thickness	.022" x .030" (0.55mm x 0.76mm)
Load Capacity	175



## S80/16-20A

20GA. 1/2" Crown Auto Stapler

### ● Dimensions

- L: 12-1/2" (233mm) H: 6-1/8" (155mm) W: 1-21/32" (42mm)

● Weight - 2.47lbs(1.12kg)

### ● Fasteners

- BEA : 380/14-450A  
- FASCO : F1B A80-16 AUT

### ● Applications

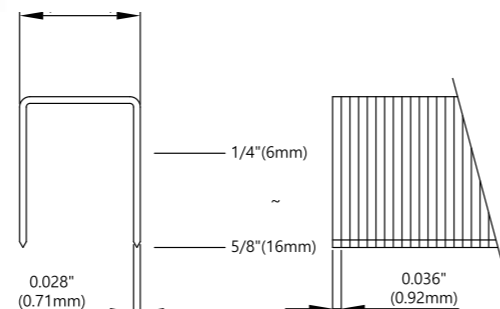
- Insulation - Upholstering operations  
- Automotive vinyl roofs and interior trim  
- Molding and roofing felt

### ● Air Consumption

- 0.18L/cycle, 6kg/cm<sup>2</sup>

### ● Fastener Specification

Type	20GA. 1/2" Crown Staples
Length	1/4" ~ 5/8" (6mm ~ 16mm)
Crown	1/2" (12.8mm)
Width x Thickness	.028" x .036" (0.71mm x 0.92mm)
Load Capacity	130(MAX. 150)



## S34/16-22A

22GA. 3/16" Crown Auto Stapler

### ● Dimensions

- L: 8-27/32" (225mm) H: 6-1/8" (155mm) W: 1-21/32" (42mm)

● Weight - 2.34lbs(1.06kg)

### ● Fasteners

- SENCO : SFT10XP A/D-WIRE

### ● Applications

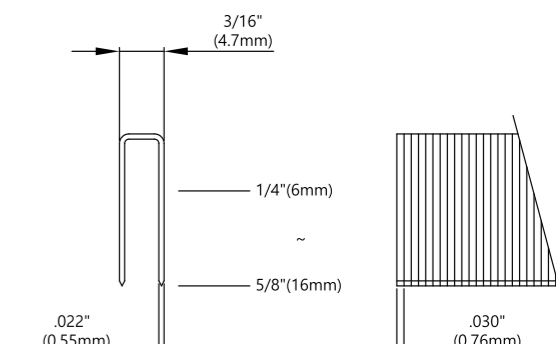
- Upholstery & Bedding  
- Furniture Manufacturing

### ● Air Consumption

- 0.18L/cycle, 6kg/cm<sup>2</sup>

### ● Fastener Specification

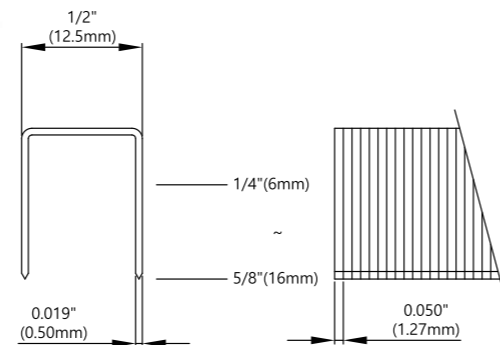
Type	22GA. 3/16" Crown Staples
Length	1/4" ~ 5/8" (6mm ~ 16mm)
Crown	3/16" (4.7mm)
Width x Thickness	.022" x .030" (0.50mm x 1.27mm)
Load Capacity	175



## S50/16-20ALM

20GA. 1/2" Crown  
Double Length Magazine  
Auto Stapler

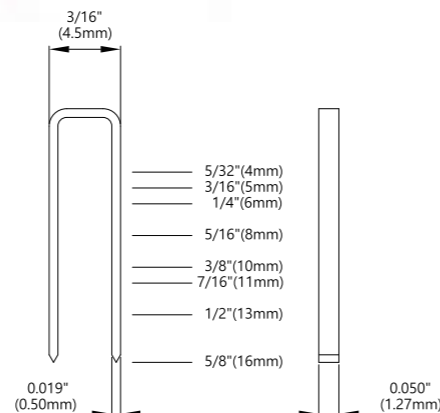
- **Dimensions**
  - L: 14" (356mm) H: 6-1/8" (155mm) W: 1-21/32" (42mm)
- **Weight** - 2.86lbs(1.3kg)
- **Fasteners**
  - BEA: 95/14-455AL
  - FASCO: F1B 50-16 Auto L/M
- **Applications**
  - Upholstery & Bedding
  - Furniture Manufacturing
- **Air Consumption**
  - 0.18L/cycle, 6kg/cm<sup>2</sup>
- **Fastener Specification**



## S54/16-20

20GA. 3/16" Crown Stapler

- **Dimensions**
  - L: 8-27/32" (225mm) H: 5-13/16" (147mm) W: 1-11/16" (43mm)
- **Weight** - 2.13lbs(0.97kg)
- **Fasteners**
  - DUO FAST : SureShot 5254/5400
- **Applications**
  - Upholstery & Bedding
  - Furniture Manufacturing
- **Air Consumption**
  - 0.17L/cycle, 6kg/cm<sup>2</sup>
- **Fastener Specification**



Load Capacity 95

## AP35RN

Air Punch

- **Dimensions**
  - L: 8-3/8" (214mm)
  - H: 8-15/32" (215mm)
  - W: 2-11/32" (60mm)
- **Weight**
  - 1.83lbs(0.83kg)
- **Shank Diameter**
  - Ø1.5 ~ Ø5.0mm
- **Applications**
  - Removing Nails
- **Air Consumption**
  - 0.56L/cycle, 6kg/cm<sup>2</sup>



## AP64RN

Air Punch

- **Dimensions**
  - L: 10-13/16" (275mm)
  - H: 10-19/32" (269mm)
  - W: 3-15/32" (88mm)
- **Weight**
  - 3.75lbs(1.7kg)
- **Shank Diameter**
  - Ø3.5 ~ Ø6.0mm
- **Applications**
  - Removing Nails
- **Air Consumption**
  - 1.48L/cycle, 7kg/cm<sup>2</sup>



**NPOWER**  
Powered by  
NaviTech

Tài liệu được tổng hợp bởi đội ngũ kỹ thuật của **NPOWER**  
Bản quyền nội dung thuộc về **JITool**

Powered by **NAVITECH** | [www.navitech.co](http://www.navitech.co)  
[www.npower.com.vn](http://www.npower.com.vn)