

# Micrometer



## Ratchet Thimble Micrometer SERIES 102 — Outside Micrometers

- The ratchet thimble mechanism enables easy one-handed operation, useful for inspecting samples during the manufacturing process.
- Ratchet function works both from the thimble and the speeder.
- Clearly audible ratchet operation for reassurance that measurement is being performed at constant, preset force.
- Heat-insulated frame.
- Measuring faces: Carbide tipped



102-701

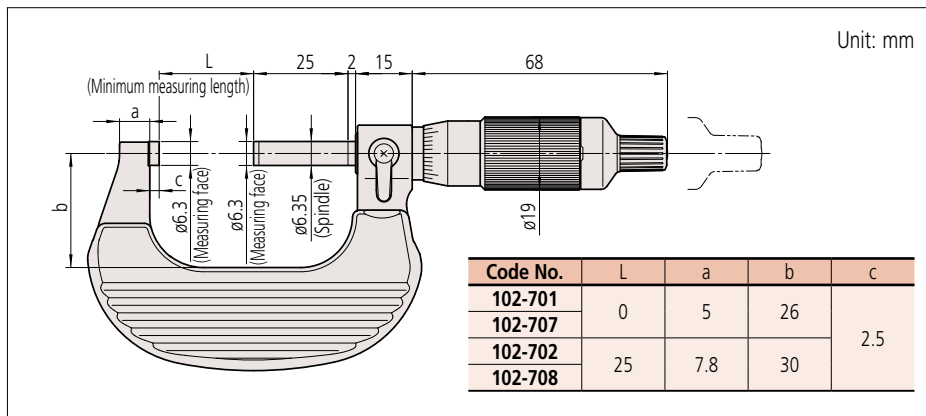
### SPECIFICATIONS

Metric							
Code No.	Range (mm)	Graduation (mm)	Measuring force (N)	Maximum permissible error $J_{MPE}$ ( $\mu$ m)	Flatness ( $\mu$ m)	Parallelism ( $\mu$ m)	Mass (g)
102-701	0 - 25	0.01	5 - 10	$\pm 2$	0.6	2	180
102-707		0.001					
102-702	25 - 50	0.01					
102-708		0.001					270

Inch							
Code No.	Range (in)	Graduation (in)	Measuring force (N)	Maximum permissible error $J_{MPE}$ (in)	Flatness (in)	Parallelism (in)	Mass (g)
102-717	0 - 1	0.0001	5 - 10	$\pm 0.0001$	0.000024	0.00008	180
102-718	1 - 2						270

• Standard accessories: Setting standard, 1 pc. (except for measuring range 0 to 25 mm (0 to 1 in) models), Spanner (301336), 1 pc.

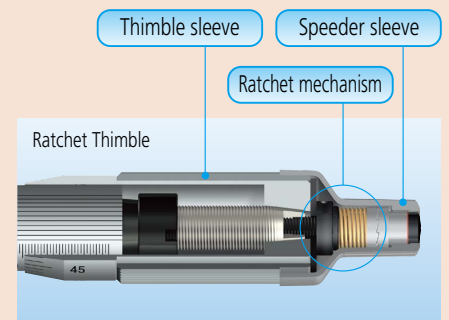
### DIMENSIONS



### Measurement example



### Internal structure



Outside Micrometers (Analog)