

Micrometer

MeasurLink[®] ENABLED
Data Management Software by Mitutoyo

ABSOLUTE[™]



Dust- and
Water-
Protected
www.tuv.com
ID 0217010448

Quickmike SERIES 293 — IP65 ABSOLUTE Digimatic Micrometers

- The Quickmike provides a speedy spindle feed of 10 mm per thimble rotation which enables quick measurements of many different-sized features.
- Measuring faces: Carbide tipped
- Equipped with Ratchet Stop for constant measuring force.
- The non-rotating spindle enables even inexperienced operators to perform accurate and repeatable measurements.



293-666-20

SPECIFICATIONS

Metric

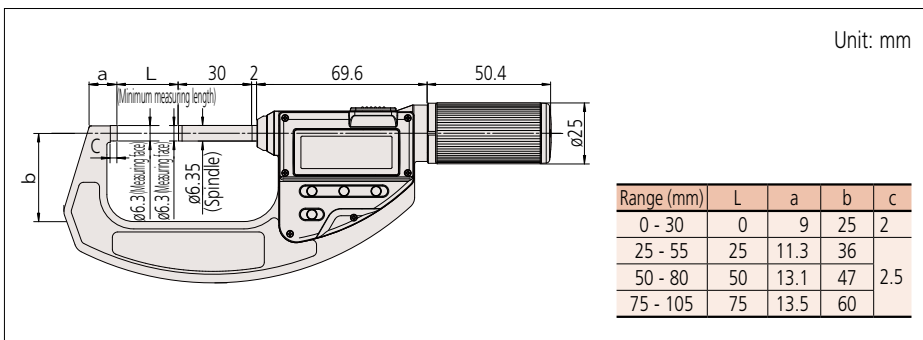
Code No.	Range (mm)	Resolution (mm)	Measuring force (N)	Maximum permissible error J_{MPE} (μ m)	Flatness (μ m)	Parallelism (μ m)	Constant measuring force	Mass (g)
With SPC data output								
293-666-20	0 - 30	0.001	5 - 12	± 2	0.3	2	Yes	275
293-667-20	25 - 55							340
293-668-20	50 - 80			480				
293-669-20	75 - 105			585				

Inch / Metric

Code No.	Range (in)	Resolution	Measuring force (N)	Maximum permissible error J_{MPE} (in)	Flatness (in)	Parallelism (in)	Constant measuring force	Mass (g)
With SPC data output								
293-676-20	0 - 1.2	0.00005 in/ 0.001 mm	5 - 12	± 0.0001	0.000012	0.00008	Yes	275
293-677-20	1 - 2.2							340
293-678-20	2 - 3.2			480				
293-679-20	3 - 4.2			585				

- Power source: SR44 battery (1 pc.), 938882 included as standard (for operational checks)
- Battery life: Approx. 5 years under normal use
- Position detection method: Electrostatic capacity absolute sensor
- Standard accessories: Setting standard, 1 pc. (except for measuring range 0 to 30 mm (0 to 1.2 in) models)
- Maximum response speed: without limit

DIMENSIONS



Measurement example



Optional Accessories

Code No.	Type	Description
264-020	—	USB Input Tool Series USB Keyboard Signal Conversion Type IT-020U
05CZA662	B	Connection cable (1 m)
05CZA663	B	Connection cable (2 m)
06AFM380B	B	USB Input Tool Direct (2 m)
02AZD730G	IP67	U-WAVE-T
02AZD880G	Buzzer	U-WAVE-T
02AZE200	—	U-WAVE-T mounting bracket
02AZD790B	B	Connection cable for U-WAVE-T (160 mm)
02AZE140B	B	Connection cable for U-WAVE-T For foot switch

Mechanism

