

## Micrometer

### "Uni-Mike" SERIES 317, 117 — Interchangeable Anvil Type

- Measures tubing thickness, shoulder-edge distance, rivet head height, etc., with interchangeable anvils (flat anvil, rod anvil, V-anvil).
- IP65 water/dust protection (**series 317**).
- Equipped with Ratchet Stop for constant measuring force.



317-251-30

### SPECIFICATIONS

Metric					
Code No.	Range (mm)	Resolution (mm)	Spindle feed error (μm)	Flatness (μm)	Parallelism (μm)
Digimatic					
317-251-30	0 - 25	0.001	3	0.6 (Spindle face)/ 2 (Anvil face)	3
317-252-30	25 - 50				
Inch / Metric					
Code No.	Range (in)	Resolution	Spindle feed error (in)	Flatness (in)	Parallelism (in)
Digimatic					
317-351-30	0 - 1	0.00005 in/0.001 mm	0.00015	0.000024 (Spindle face)/ 0.00008 (Anvil face)	0.00012
317-352-30	1 - 2				

- Power source: SR44 battery (1 pc.), **938882** included as standard (for operational checks)
- Battery life: Approx. 2.4 years under normal use
- Position detection method: Electromagnetic rotary sensor
- Standard accessories: Setting standard, 1 pc. (except for measuring range 0 to 25 mm (0 to 1 in) models)  
Spanner (**301336**), 1 pc.

Note: For functional details, refer to page 02-7.

Optional connection cable is available only for water-proof type (Digimatic model).



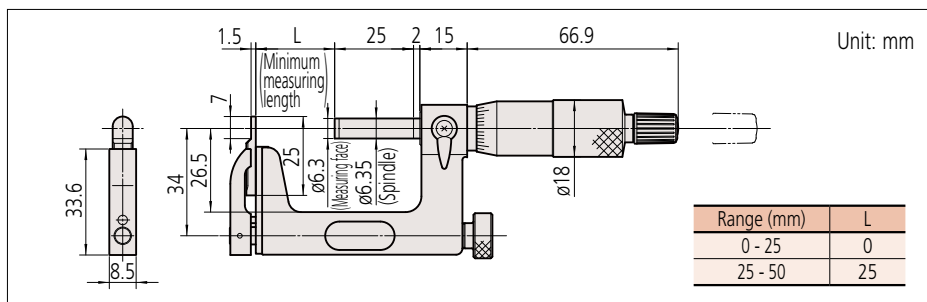
117-101

### SPECIFICATIONS

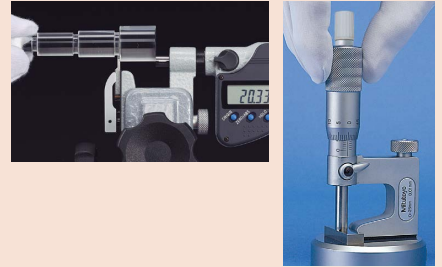
Metric					
Code No.	Range (mm)	Graduation (mm)	Spindle feed error (μm)	Flatness (μm)	Parallelism (μm)
Analog					
117-101	0 - 25	0.01	3	0.6 (Spindle face)/ 2 (Anvil face)	3
117-102	25 - 50				
Inch					
Code No.	Range (in)	Graduation (in)	Spindle feed error (in)	Flatness (in)	Parallelism (in)
Analog					
117-107	0 - 1	0.0001	0.00015	0.000024 (Spindle face)/ 0.00008 (Anvil face)	0.00012
117-108	1 - 2				

- Standard accessories: Setting standard, 1 pc. (except for measuring range 0 to 25 mm (0 to 1 in) models), Spanner (**200877**), 1 pc.

### DIMENSIONS

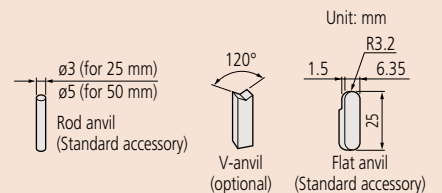


### Measurement example



### Optional Accessories

Code No.	Type	Description
264-020	—	USB Input Tool Series USB Keyboard Signal Conversion Type <b>IT-020U</b>
05CZA662	B	Connection cable (1 m)
05CZA663	B	Connection cable (2 m)
06AFM380B	B	USB Input Tool Direct (2 m)
02AZD730G	IP67	<b>U-WAVE-T</b>
02AZD880G	Buzzer	<b>U-WAVE-T</b>
02AZE200	—	<b>U-WAVE-T</b> mounting bracket
02AZD790B	B	Connection cable for <b>U-WAVE-T</b> (160 mm)
02AZE140B	B	Connection cable for <b>U-WAVE-T</b> For foot switch
264-622	IP67	<b>U-WAVE-TM</b>
264-623	Buzzer	<b>U-WAVE-TM</b>
264-626	IP67	<b>U-WAVE-TMB</b>
264-627	Buzzer	<b>U-WAVE-TMB</b>
02AZF310	IP67	Connecting unit for <b>U-WAVE-TM/TMB</b>



Code No.	Item
201216	Flat anvil (standard accessory)
201217	Rod anvil (standard accessory for <b>117-101/117-107/317-251-30/317-351-30</b> )
201379	Rod anvil (standard accessory for <b>117-102/117-108/317-252-30/317-352-30</b> )
201218	V-anvil (optional)
950758	Round Base for <b>series 117</b> , for 0-25 mm ø58x14.2 mm (optional)