

Micrometer

MeasurLink[®] ENABLED
Data Management Software by Mitutoyo

U-WAVE^{fit}



Dust- and
Water-
Protected
www.tuv.com
ID 0000640191

Gear Tooth Micrometers SERIES 324 — Interchangeable Ball Anvil/Spindle Tip Type

- This specialized micrometer series measures gear over-pin diameters. Attach optional ball probes to each measuring face before use.
- Determination of the over-pin diameter: refer to "Quick Guide to Precision Measuring Instruments" on page 13-8.
- Interchangeable ball anvils/spindle tips for various gear modules (0.5 to 5.25) are optional.

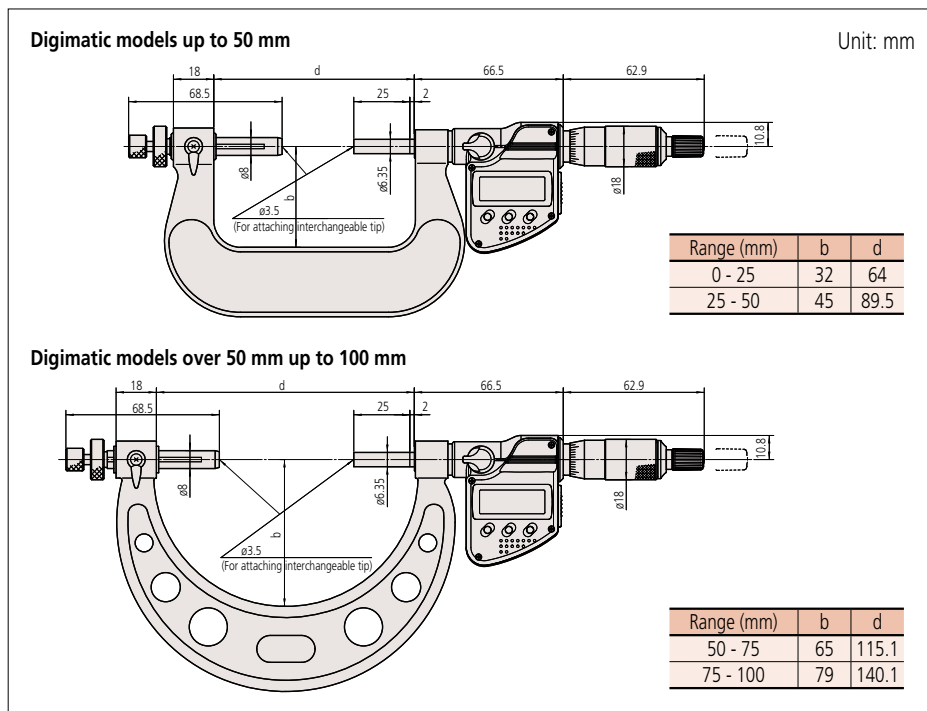


SPECIFICATIONS

Metric				Inch / Metric			
Code No.	Range (mm)	Resolution (mm)	Spindle feed error (μm)	Code No.	Range (in)	Resolution	Spindle feed error (in)
With SPC data output				With SPC data output			
324-251-30	0 - 25	0.001	3	324-351-30	0 - 1	0.00005 in/ 0.001 mm	0.00015
324-252-30	25 - 50			324-352-30	1 - 2		
324-253-30	50 - 75			324-353-30	2 - 3		
324-254-30	75 - 100			324-354-30	3 - 4		

- Power source: SR44 battery (1 pc.), **938882** included as standard (for operational checks)
 - Battery life: Approx. 2.4 years under normal use
 - Position detection method: Electromagnetic rotary sensor
 - Standard accessories: Setting standard, 1 pc. (except for measuring range 0 to 25 mm (0 to 1 in) models), Spanner (**301336**), 1 pc.
- Note: For functional details, refer to page 02-7.
Please note that origin setting of these models is by presetting. Optional connection cable is available only for water-proof type (Digimatic model).

DIMENSIONS



Measurement example



Optional Accessories

Code No.	Type	Description
264-020	—	USB Input Tool Series USB Keyboard Signal Conversion Type IT-020U
05CZA662	B	Connection cable (1 m)
05CZA663	B	Connection cable (2 m)
06AFM380B	B	USB Input Tool Direct (2 m)
02AZD730G	IP67	U-WAVE-T
02AZD880G	Buzzer	U-WAVE-T
02AZE200	—	U-WAVE-T mounting bracket
02AZD790B	B	Connection cable for U-WAVE-T (160 mm)
02AZE140B	B	Connection cable for U-WAVE-T For foot switch
264-622	IP67	U-WAVE-TM
264-623	Buzzer	U-WAVE-TM
264-626	IP67	U-WAVE-TMB
264-627	Buzzer	U-WAVE-TMB
02AZF310	IP67	Connecting unit for U-WAVE-TM/TMB



Tài liệu được tổng hợp bởi đội ngũ kỹ thuật của **NPOWER**
Bản quyền nội dung thuộc về **Mitutoyo**

Powered by **NAVITECH** | www.navitech.co
www.npower.com.vn