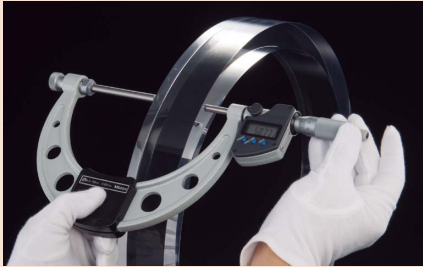




Applicable models:  
340-251-30, 340-252-30, 340-351-30, 340-352-30

### Measurement example



### Optional Accessories

Code No.	Type	Description
264-020	—	USB Input Tool Series USB Keyboard Signal Conversion Type <b>IT-020U</b>
05CZA662	B	Connection cable for <b>340-251-30, 340-252-30,</b> <b>340-351-30</b> and <b>340-352-30</b> (1 m)
05CZA663	B	Connection cable for <b>340-251-30, 340-252-30,</b> <b>340-351-30</b> and <b>340-352-30</b> (2 m)
04AZB512	CR	Connection cable (1 m) for <b>340-5XX, 340-7XX</b>
04AZB513	CR	Connection cable (2 m) for <b>340-5XX, 340-7XX</b>
959149	C	Connection cable (1 m) for <b>340-5XX, 340-7XX</b>
959150	C	Connection cable (2 m) for <b>340-5XX, 340-7XX</b>
06AFM380B	B	USB Input Tool Direct (2 m)
06AFM380C	C	USB Input Tool Direct (2 m)
02AZD730G	IP67	<b>U-WAVE-T</b>
02AZD880G	Buzzer	<b>U-WAVE-T</b>
02AZD790B	B	Connection cable for <b>U-WAVE-T</b> (160 mm)
02AZE140B	B	Connection cable for <b>U-WAVE-T</b> For foot switch
02AZD790C	C	Connection cable for <b>U-WAVE-T</b> (160 mm)
02AZE140C	C	Connection cable for <b>U-WAVE-T</b> For foot switch
264-622	IP67	<b>U-WAVE-TM*</b>
264-623	Buzzer	<b>U-WAVE-TM*</b>
264-626	IP67	<b>U-WAVE-TMB*</b>
264-627	Buzzer	<b>U-WAVE-TMB*</b>
02AZF310	IP67	Connecting unit for <b>U-WAVE-TM/TMB*</b>

\* Only **340-251-30, 340-252-30, 340-351-30** and **340-352-30** can be attached.

## Outside Micrometers SERIES 340 — with Interchangeable Anvils

- Wide measuring range with interchangeable anvils.
- Measuring face of the spindle is carbide tipped (standard model).
- IP65 water/dust protection.
- Equipped with Ratchet Stop for constant measuring force.



340-251-30



340-520

### SPECIFICATIONS

Metric									
Code No.	Range (mm)	Resolution (mm)	Spindle feed error (μm)	Flatness (μm)	Parallelism (μm)	Interchangeable anvils	Setting Qty	Standard Size (mm)	Micrometer head stroke (mm)
With SPC data output									
340-251-30*	0 - 75	0.001	3	0.6	2	6 pcs.	5	25 - 125	25
	75 - 150								
340-252-30*	150 - 300				3		6	150 - 275	
340-520	300 - 400				6	4 pcs.	4	300 - 375	
340-521	400 - 500			1.0	7			400 - 475	
340-522	500 - 600				8			500 - 575	
340-523	600 - 700				9			600 - 675	
340-524	700 - 800				10			700 - 775	
340-525	800 - 900				11			800 - 875	
340-526	900 - 1000				12			900 - 975	

Inch / Metric									
Code No.	Range (in)	Resolution	Spindle feed error (in)	Flatness (in)	Parallelism (in)	Interchangeable anvils	Setting Qty	Standard Size (in)	Micrometer head stroke (in)
With SPC data output									
340-351-30*	0 - 6	0.00005 in/ 0.001 mm	0.00015	0.000024	0.00012	6 pcs.	5	1 - 5	1
340-352-30*	6 - 12	0.0001 in/ 0.001 mm						0.00004	
340-720	12 - 18		12 - 17						
340-721	18 - 24		18 - 23						
340-722	24 - 30		24 - 29						
340-723	30 - 36	30 - 35							

- \* IP65 model.
- Power source for **340-251-30, 340-252-30, 340-351-30, 340-352-30**: SR44 battery (1 pc.), **938882** included as standard (for operational checks)
  - Power source for **340-520** to **340-526, 340-720** to **340-723**: SR44 battery (2 pcs.), **938882** included as standard (for operational checks)
  - Battery life: Approx. 2.4 years under normal use (for **340-2XX, 340-3XX**)  
Approx. 1.8 years under normal use (for **340-5XX, 340-7XX**)
  - Position detection method: Electromagnetic rotary sensor (for **series 340**)
  - Standard accessories: Spanner (**301336**), 1 pc.  
(for maximum measuring range up to 300 mm (12 in)), Spanner (**200154**), 1 pc.  
(for maximum measuring range 400 mm (16 in) or over)
- Note 1: For functional details of **340-251-30, 340-252-30, 340-351-30, 340-352-30**, refer to page 02-7.  
Please note that origin setting of these models is by presetting.
- Optional connection cable is available only for water-proof type (Digimatic model).
- Note 2: For functional details of **340-520** to **340-723**, refer to page 02-9.



Tài liệu được tổng hợp bởi đội ngũ kỹ thuật của **NPOWER**  
Bản quyền nội dung thuộc về **Mitutoyo**

Powered by **NAVITECH** | www.navitech.co  
**www.npower.com.vn**

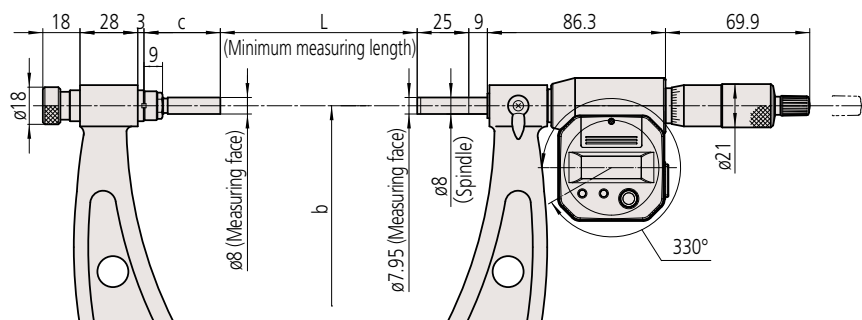
# Micrometer

## Outside Micrometers SERIES 340 — with Interchangeable Anvils

### DIMENSIONS

Over 400 mm up to 1000 mm

Unit: mm



	L: Range (mm)					b
Range	300 - 400 mm models	300 - 325	325 - 350	350 - 375	375 - 400	224
Range	400 - 500 mm models	400 - 425	425 - 450	450 - 475	475 - 500	273
Range	500 - 600 mm models	500 - 525	525 - 550	550 - 575	575 - 600	332
Range	600 - 700 mm models	600 - 625	625 - 650	650 - 675	675 - 700	382
Range	700 - 800 mm models	700 - 725	725 - 750	750 - 775	775 - 800	430
Range	800 - 900 mm models	800 - 825	825 - 850	850 - 875	875 - 900	480
Range	900 - 1000 mm models	900 - 925	925 - 950	950 - 975	975 - 1000	530
<b>Code No.</b>	<b>304001</b>	<b>304002</b>	<b>304003</b>	<b>304004</b>		
c: Overall (mm)	87	62	37	12		
Interchangeable anvil	M3	M4	M5	M6		



Tài liệu được tổng hợp bởi đội ngũ kỹ thuật của **NPOWER**  
Bản quyền nội dung thuộc về **Mitutoyo**

Powered by **NAVITECH** | [www.navitech.co](http://www.navitech.co)  
[www.npower.com.vn](http://www.npower.com.vn)