

Micrometer



Tài liệu được tổng hợp bởi đội ngũ kỹ thuật của **NPOWER**
 Bản quyền nội dung thuộc về **Mitutoyo**
 Powered by **NAVITECH** | www.navitech.co
 www.npower.com.vn



Measurement example



Crimp Height Micrometers SERIES 342

- Measures the height of crimp contacts.
- Point spindle
- IP65 water/dust protection (Digimatic model).
- Equipped with Ratchet Stop for constant measuring force.



Digimatic
342-271-30



Quickmike type
342-451-20

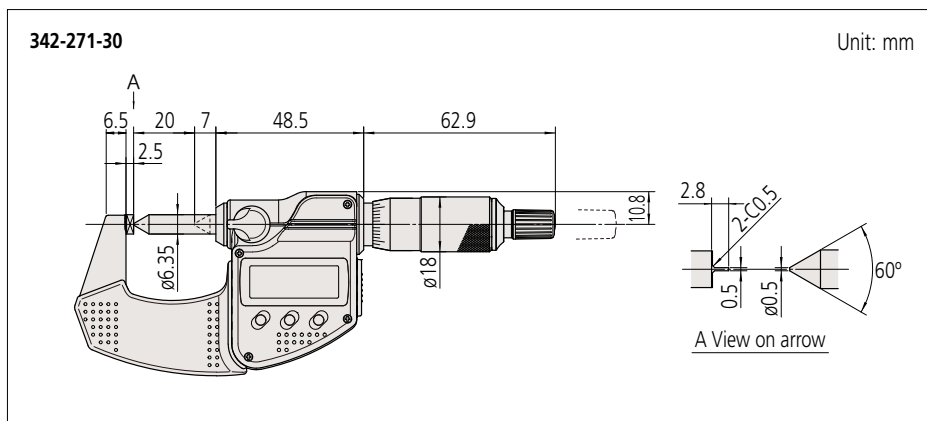
SPECIFICATIONS

Metric			
Code No.	Range (mm)	Resolution (mm)	Maximum permissible error J_{MPE} (μ m)
Digimatic			
342-271-30	0 - 20	0.001	± 3
Quickmike			
342-451-20	0 - 15	0.001	± 3

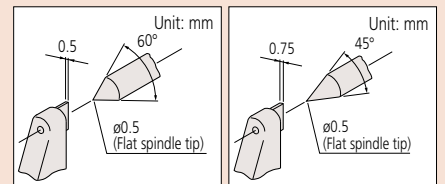
Inch/Metric			
Code No.	Range (in)	Resolution	Maximum permissible error J_{MPE} (in)
Digimatic			
342-371-30	0 - 0.8	0.00005 in/ 0.001 mm	± 0.00015

- Power source: SR44 battery (1 pc.), **938882** included as standard (for operational checks)
 - Battery life: Approx. 2.4 years under normal use (for **342-271-30/342-371-30**)
 Approx. 5 years under normal use (for **342-451-20**)
 - Position detection method: Electromagnetic rotary sensor (for **342-271-30/342-371-30**)
 Electrostatic capacity absolute sensor (for **342-451-20**)
 - Standard accessories: Spanner (**301336**), 1 pc. (except for **342-451-20**)
- Note: For functional details, refer to page 02-7.
 Optional connection cable is available only for water-proof type (Digimatic model).

DIMENSIONS



Anvil and spindle tip detail



342-271-30, 342-371-30 342-451-20

Optional Accessories

Code No.	Type	Description
264-020	—	USB Input Tool Series USB Keyboard Signal Conversion Type IT-020U
05CZA662	B	Connection cable (1 m)
05CZA663	B	Connection cable (2 m)
06AFM380B	B	USB Input Tool Direct (2 m)
02AZD730G	IP67	U-WAVE-T
02AZD880G	Buzzer	U-WAVE-T
02AZE200	—	U-WAVE-T mounting bracket
02AZD790B	B	Connection cable for U-WAVE-T (160 mm)
02AZE140B	B	Connection cable for U-WAVE-T For foot switch
264-622	IP67	U-WAVE-TM*
264-623	Buzzer	U-WAVE-TM*
264-626	IP67	U-WAVE-TMB*
264-627	Buzzer	U-WAVE-TMB*
02AZF310	IP67	Connecting unit for U-WAVE-TM/TMB*

* **342-271-30** and **342-371-30** can be attached.
 Not available for **342-451-20**.