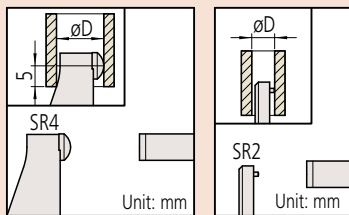




Dust- and Water- Protected
www.tuv.com
ID 000004091

Applicable models: series 395

Measurement example



Other than 115-101

115-101

Optional Accessories

Code No.	Type	Description
264-020	—	USB Input Tool Series USB Keyboard Signal Conversion Type IT-020U
05CZA662	B	Connection cable for series 395 (1 m)
05CZA663	B	Connection cable for series 395 (2 m)
06AFM380B	B	USB Input Tool Direct (2 m)
02AZD730G	IP67	U-WAVE-T
02AZD880G	Buzzer	U-WAVE-T
02AZE200	—	U-WAVE-T mounting bracket
02AZD790B	B	Connection cable for U-WAVE-T (160 mm)
02AZE140B	B	Connection cable for U-WAVE-T For foot switch
264-622	IP67	U-WAVE-TM
264-623	Buzzer	U-WAVE-TM
264-626	IP67	U-WAVE-TMB
264-627	Buzzer	U-WAVE-TMB
02AZF310	IP67	Connecting unit for U-WAVE-TM/TMB



Tài liệu được tổng hợp bởi đội ngũ kỹ thuật của NPOWER
Bản quyền nội dung thuộc về Mitutoyo

Powered by NAVITECH | www.navitech.co
www.npower.com.vn

Tube Micrometers
SERIES 395, 115, 295

• The spherical anvil-type micrometer is convenient for measuring cylindrical workpieces. The spherical anvil comes into contact with a workpiece at a point instead of a surface area, thus increasing measurement accuracy.

• IP65 water/dust protection (series 395).
• Equipped with Ratchet Stop for constant measuring force.



395-251-30

SPECIFICATIONS

Metric					
Code No.	Range (mm)	Resolution (mm)	Maximum permissible error _{JMPE} (μm)	øD (mm)	Flatness (Spindle) (μm)
Digimatic					
395-251-30	0 - 25	0.001	±2	ø15	0.3
395-252-30	25 - 50			ø19	
395-253-30	50 - 75			ø20	
395-254-30	75 - 100			±3	

Inch/Metric						
Code No.	Range (in)	Resolution	Maximum permissible error _{JMPE} (in)	øD (in)	Flatness (Spindle) (in)	
Digimatic						
395-351-30	0 - 1	0.00005 in/ 0.001 mm	±0.0001	ø0.59	0.00012	
395-352-30	1 - 2			ø0.75		
395-353-30	2 - 3			±0.00015		ø0.79
395-354-30	3 - 4					

• Power source: SR44 battery (1 pc.), 938882 included as standard (for operational checks)
• Battery life: Approx. 2.4 years under normal use
• Position detection method: Electromagnetic rotary sensor
• Standard accessories: Setting standard, 1 pc. (except for measuring range 0 to 25 mm (0 to 1 in) models), Spanner (301336), 1 pc.
Note: For functional details, refer to page 02-7.
Optional connection cable is available only for water-proof type (Digimatic model).



115-115

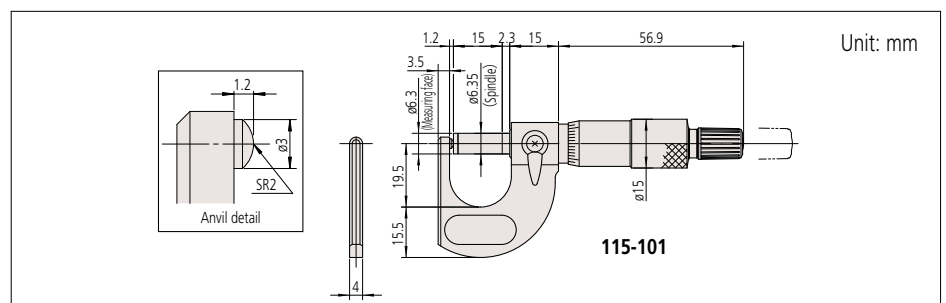
SPECIFICATIONS

Metric					
Code No.	Range (mm)	Graduation (mm)	Maximum permissible error _{JMPE} (μm)	øD (mm)	Flatness (μm)
Analog					
115-101	0 - 15	0.01	±3	ø5.5	0.6
115-115	0 - 25			ø10	
115-116	25 - 50			ø11	
115-117	50 - 75			ø17	
115-118	75 - 100			±4	
Mechanical counter model					
295-115	0 - 25	0.01	±3	ø10	0.6

Inch					
Code No.	Range (in)	Graduation (in)	Maximum permissible error _{JMPE} (in)	øD (in)	Flatness (in)
Analog					
115-153	0 - 1	0.0001	±0.00015	ø0.40	0.000024
Mechanical counter model					
295-153	0 - 1	0.0001	±0.00015	ø0.40	0.000024

• Standard accessories: Setting standard, 1 pc. (except for measuring range 0 to 15 mm/0 to 25 mm (0 to 1 in) models)
Spanner (200168), 1 pc. (for 115-101), Spanner (301336), 1 pc. (for models other than 115-101)

DIMENSIONS



115-101