

Micrometer

MeasurLink[®] ENABLED
Data Management Software by Mitutoyo

U-WAVE^{fit}

Outside Micrometers SERIES 406 — Non-rotating Spindle Type

- Non-rotating spindle eliminates torque on workpiece. Therefore, it is suitable for measuring flexible workpieces such as rubber and paper or thin workpieces such as film.
- Measuring faces: Carbide tipped
- Spindle $\phi 6.35$ mm
- Equipped with Ratchet Stop for constant measuring force.



406-250-30

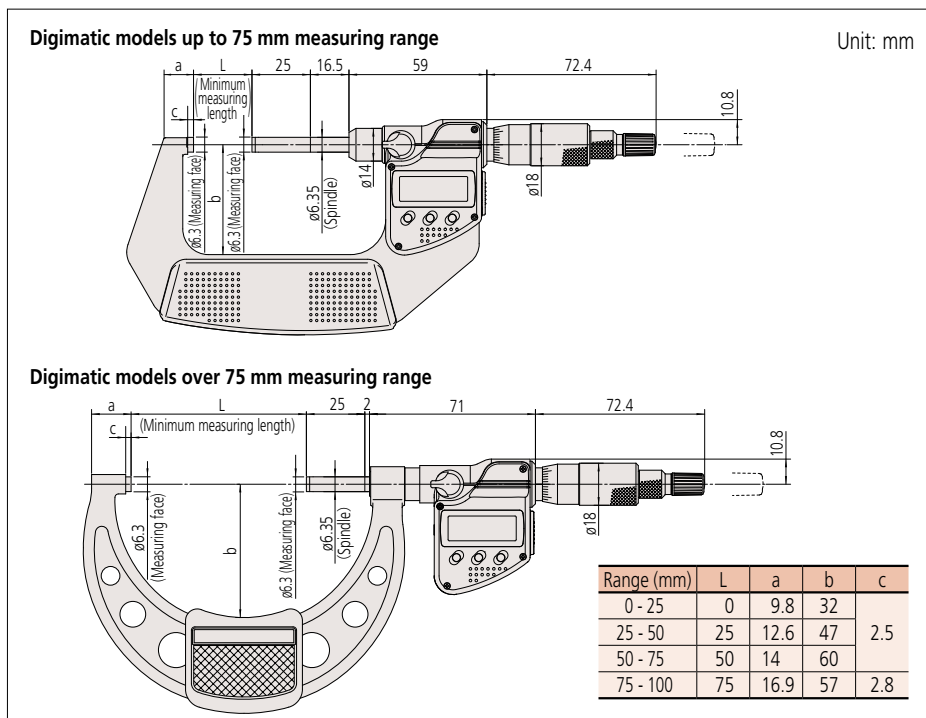
SPECIFICATIONS

Metric					
Code No.	Range (mm)	Resolution (mm)	Maximum permissible error J_{MPE} (μ m)	Flatness (μ m)	Parallelism (μ m)
With SPC data output					
406-250-30	0 - 25	0.001	± 3	0.3	3
406-251-30	25 - 50				
406-252-30	50 - 75				
406-253-30	75 - 100		± 4	4	
Inch / Metric					
Code No.	Range (in)	Resolution	Maximum permissible error J_{MPE} (in)	Flatness (in)	Parallelism (in)
With SPC data output					
406-350-30	0 - 1	0.00005 in/ 0.001 mm	± 0.00015	0.000012	0.00012
406-351-30	1 - 2				
406-352-30	2 - 3				
406-353-30	3 - 4		± 0.0002	0.00016	

- Power source: SR44 battery (1 pc.). **938882** included as standard (for operational checks)
- Battery life: Approx. 2.4 years under normal use
- Position detection method: Electromagnetic rotary sensor
- Standard accessories: Setting standard, 1 pc. (except for measuring range 0 to 25 mm (0 to 1 in) models) Spanner (**301336**), 1 pc.

Note: For functional details of series 406, refer to page 02-7. Please note that these models are not water-proof.

DIMENSIONS



Measurement example



Optional Accessories

Code No.	Type	Description
264-020	—	USB Input Tool Series USB Keyboard Signal Conversion Type IT-020U
05CZA662	B	Connection cable (1 m)
05CZA663	B	Connection cable (2 m)
06AFM380B	B	USB Input Tool Direct (2 m)
02AZD730G	IP67	U-WAVE-T
02AZD880G	Buzzer	U-WAVE-T
02AZE200	—	U-WAVE-T mounting bracket
02AZD790B	B	Connection cable for U-WAVE-T (160 mm)
02AZE140B	B	Connection cable for U-WAVE-T For foot switch
264-622	IP67	U-WAVE-TM
264-623	Buzzer	U-WAVE-TM
264-626	IP67	U-WAVE-TMB
264-627	Buzzer	U-WAVE-TMB
02AZF310	IP67	Connecting unit for U-WAVE-TM/TMB

NPOWER
Powered by
NaviTech

Tài liệu được tổng hợp bởi đội ngũ kỹ thuật của **NPOWER**
Bản quyền nội dung thuộc về **Mitutoyo**

Powered by **NAVITECH** | www.navitech.co
www.npower.com.vn