

Micrometer

ABSOLUTE™



Applicable models: **series 422 Quickmike type**

Measurement example



Blade Micrometers

SERIES 422 — Non-rotating Spindle Type

- The anvil and the spindle have a blade for measuring the groove diameter of shafts, keyways and other hard-to-reach areas.
- Carbide-tipped measuring faces are available.
- Non-rotating spindle type.
- Equipped with Ratchet Stop for constant measuring force.



SPECIFICATIONS

Metric						
Code No.	Range (mm)	Resolution (mm)	Maximum permissible error J_{MPE} (μm)	Parallelism (μm)	Remark	
Digimatic						
422-230-30	0 - 25	0.001	±3	3	Type A	
422-231-30	25 - 50					
422-232-30	50 - 75					
422-233-30	75 - 100					
422-260-30	0 - 25		±3	3	Type B	
422-261-30	25 - 50					
422-270-30	0 - 25					Type C
422-271-30						

Inch / Metric						
Code No.	Range (in)	Resolution	Maximum permissible error J_{MPE} (in)	Parallelism (in)	Remark	
Digimatic						
422-330-30	0 - 1	0.00005 in/ 0.001 mm	±0.00015	0.00015	Type A	
422-331-30	1 - 2					
422-332-30	2 - 3					
422-333-30	3 - 4					
422-360-30	0 - 1		±0.00015	0.00015	Type B	
422-361-30	1 - 2					
422-370-30	0 - 1					Type C
422-371-30						

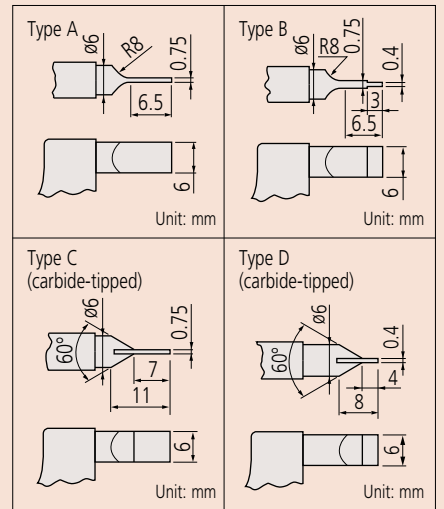
Metric Quickmike type					
Code No.	Range (mm)	Resolution (mm)	Maximum permissible error J_{MPE} (μm)	Parallelism (μm)	Remark
Digimatic					
422-411-20	0 - 30	0.001	±3	3	Type A
422-412-20	25 - 55				

Inch / Metric Quickmike type					
Code No.	Range (in)	Resolution	Maximum permissible error J_{MPE} (in)	Parallelism (in)	Remark
Digimatic					
422-421-20	0 - 1.2	0.00005 in/ 0.001 mm	±0.00015	0.00015	Type A
422-422-20	1 - 2.2				

- Power source: SR44 battery (1 pc.), **938882** included as standard (for operational checks)
- Battery life: Approx. 2.4 years under normal use (for **422-2XX, 3XX**)
Approx. 5 years under normal use (for **422-4XX**)
- Position detection method: Electromagnetic rotary sensor (for **422-2XX, 3XX**)
Electrostatic capacity absolute sensor (for **422-4XX**)
- Standard accessories: Setting standard, 1 pc. (except for measuring range 0 to 25 mm/0 to 30 mm (0 to 1 in/0 to 1.2 in) models), Spanner (**301336**), 1 pc. (for **422-2XX, 3XX**)

Note 1: For functional details, refer to page 02-7. Please note that these models are not water-proof.
Note 2: A heat shield is provided with Digimatic models as standard.

Type and dimensions



Optional Accessories

Code No.	Type	Description
05CZA662	B	Connection cable (1 m)
05CZA663	B	Connection cable (2 m)
06AFM380B	B	USB Input Tool Direct (2 m)
02AZD790B	B	Connection cable for U-WAVE-T (160 mm)
02AZE140B	B	Connection cable for U-WAVE-T For foot switch
264-622	IP67	U-WAVE-TM*
264-623	Buzzer	U-WAVE-TM*
264-626	IP67	U-WAVE-TMB*
264-627	Buzzer	U-WAVE-TMB*
02AZF310	IP67	Connecting unit for U-WAVE-TM/TMB*

* Only series 422 (except for Quickmike type) can be attached.

Deviation between the anvil and spindle in the vertical direction

within 0.15 mm
Deviation between the anvil and spindle in the vertical direction

Deviation of 0.15 mm or less* is guaranteed between the anvil and spindle in the vertical direction.
* When the measuring range is 0 to 25 mm

DIMENSIONS

Digimatic models up to 50 mm measuring range **Digimatic models over 50 mm to 100 mm measuring range** Unit: mm

Quickmike type

Code No.	L	a	b	C
422-230-30	0	11	31	12.5
422-231-30	25	12.2	50	12.6
422-232-30	50	14.6	57	13
422-233-30	75	16.7	76	16
422-260-30	0	11	31	12.5
422-261-30	25	12.2	50	12.6
422-270-30	0	11	31	12.5
422-271-30		8.5	36	13.5
422-411-20	25	8.5	36	
422-412-20		10.3	47	