



# Micrometer

MeasurLink<sup>®</sup> ENABLED  
Data Management Software by Mitutoyo

U-WAVE<sup>fit</sup>



Dust- and  
Water-  
Protected  
www.tuv.com  
ID: 000040191

Applicable models: **series 395**

## Tube Micrometers SERIES 395, 115, 295 — Spherical Anvil and Spindle Type

- Designed to measure workpieces with concave-concave surfaces. The spherical anvil and spindle respectively come into contact with the workpiece at a point, thus increasing measurement accuracy.
- IP65 water/dust protection (**series 395**).
- Equipped with Ratchet Stop for constant measuring force.



395-271-30

### SPECIFICATIONS

Metric					Inch/Metric				
Code No.	Range (mm)	Resolution (mm)	Maximum permissible error $J_{MPE}$ ( $\mu$ m)	$\phi$ D (mm)	Code No.	Range (in)	Resolution	Maximum permissible error $J_{MPE}$ (in)	$\phi$ D (in)
Digimatic					Digimatic				
395-271-30	0 - 25	0.001	$\pm 2$	$\phi 15$	395-371-30	0 - 1	0.00005 in/ 0.001 mm	$\pm 0.0001$	$\phi 0.59$
395-272-30	25 - 50				395-372-30	1 - 2			
395-273-30	50 - 75			395-373-30	2 - 3	$\phi 0.75$			
395-274-30	75 - 100			$\pm 3$	$\phi 20$	395-374-30			3 - 4

- Power source: SR44 battery (1 pc.), **938882** included as standard (for operational checks)
  - Battery life: Approx. 2.4 years under normal use
  - Position detection method: Electromagnetic rotary sensor
  - Standard accessories: Setting standard, 1 pc. (except for measuring range 0 to 25 mm (0 to 1 in) models), Spanner (**301336**), 1 pc.
- Note: For functional details, refer to page 02-7.  
Optional connection cable is available only for water-proof type (Digimatic model).



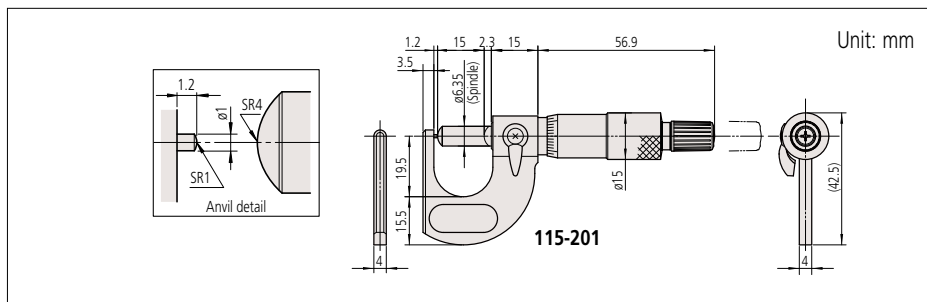
115-215

### SPECIFICATIONS

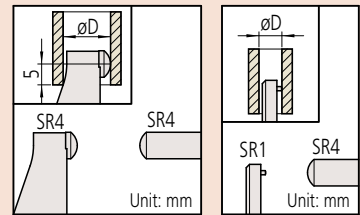
Metric					Inch				
Code No.	Range (mm)	Graduation (mm)	Maximum permissible error $J_{MPE}$ ( $\mu$ m)	$\phi$ D (mm)	Code No.	Range (in)	Graduation (in)	Maximum permissible error $J_{MPE}$ (in)	$\phi$ D (in)
Analog					Analog				
115-201	0 - 15	0.01	$\pm 3$	$\phi 5.5$	115-253	0 - 1	0.0001	$\pm 0.00015$	$\phi 0.40$
115-215	0 - 25			$\phi 10$	115-242	1 - 2	0.001		$\phi 0.44$
115-216	25 - 50			$\phi 11$	115-243	2 - 3			$\phi 0.67$
115-217	50 - 75			$\phi 17$	Mechanical counter model				
115-218	75 - 100			$\phi 18$	295-253	0 - 1	0.0001	$\pm 0.00015$	$\phi 0.40$
Mechanical counter model									
295-215	0 - 25	0.01	$\pm 3$	$\phi 10$					

- Standard accessories: Setting standard, 1 pc. (except for measuring range 0 to 15 mm/0 to 25 mm (0 to 1 in) models)
- Spanner (**200168**), 1 pc. (for **115-201**), Spanner (**301336**), 1 pc. (for models other than **115-201**)

### DIMENSIONS



### Measurement example



Other than **115-201**      **115-201**

### Optional Accessories

Code No.	Type	Description
<b>264-020</b>	—	USB Input Tool Series USB Keyboard Signal Conversion Type <b>IT-020U</b>
<b>05CZA662</b>	B	Connection cable for <b>series 395</b> (1 m)
<b>05CZA663</b>	B	Connection cable for <b>series 395</b> (2 m)
<b>06AFM380B</b>	B	USB Input Tool Direct (2 m)
<b>02AZD730G</b>	IP67	<b>U-WAVE-T</b>
<b>02AZD880G</b>	Buzzer	<b>U-WAVE-T</b>
<b>02AZE200</b>	—	<b>U-WAVE-T</b> mounting bracket
<b>02AZD790B</b>	B	Connection cable for <b>U-WAVE-T</b> (160 mm)
<b>02AZE140B</b>	B	Connection cable for <b>U-WAVE-T</b> For foot switch
<b>264-622</b>	IP67	<b>U-WAVE-TM</b>
<b>264-623</b>	Buzzer	<b>U-WAVE-TM</b>
<b>264-626</b>	IP67	<b>U-WAVE-TMB</b>
<b>264-627</b>	Buzzer	<b>U-WAVE-TMB</b>
<b>02AZF310</b>	IP67	Connecting unit for <b>U-WAVE-TM/TMB</b>



Tài liệu được tổng hợp bởi đội ngũ kỹ thuật của **NPOWER**  
Bản quyền nội dung thuộc về **Mitutoyo**

Powered by **NAVITECH** | www.navitech.co  
**www.npower.com.vn**