

# Micrometer

## Sheet Metal Micrometer SERIES 119

- Large diameter dial model enables easy and quick measurement of sheet metal thickness.
- Adjustable anvil.
- Measuring faces: Carbide tipped
- Equipped with Ratchet Stop for constant measuring force.



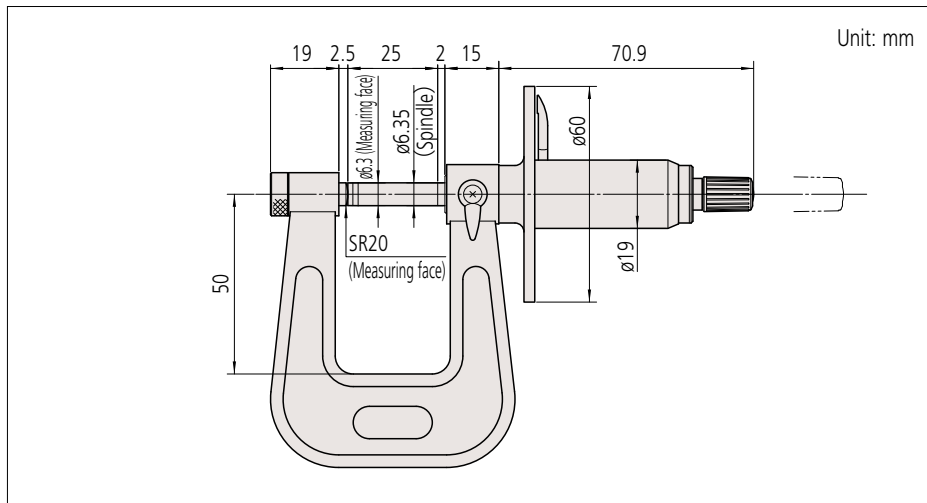
119-202

### SPECIFICATIONS

Metric				
Code No.	Range (mm)	Graduation (mm)	Maximum permissible error $J_{MPE}$ ( $\mu\text{m}$ )	Throat depth (mm)
119-202	0 - 25	0.01	$\pm 4$	50

• Standard Accessories: Spanner (200168), 1 pc.

### DIMENSIONS



### Measurement example



Tài liệu được tổng hợp bởi đội ngũ kỹ thuật của **NPOWER**  
Bản quyền nội dung thuộc về **Mitutoyo**

Powered by **NAVITECH** | [www.navitech.co](http://www.navitech.co)  
[www.npower.com.vn](http://www.npower.com.vn)