

Paper Thickness Micrometers SERIES 169 — Non-rotating Spindle Type

Measurement example



- For paper thickness measurement.
- Non-rotating spindle eliminates torque on workpiece.
- Anvil diameter: $\varnothing 14.3$ mm (without recess)
- Equipped with Ratchet Stop for constant measuring force. (8.02 \pm 0.8 N)



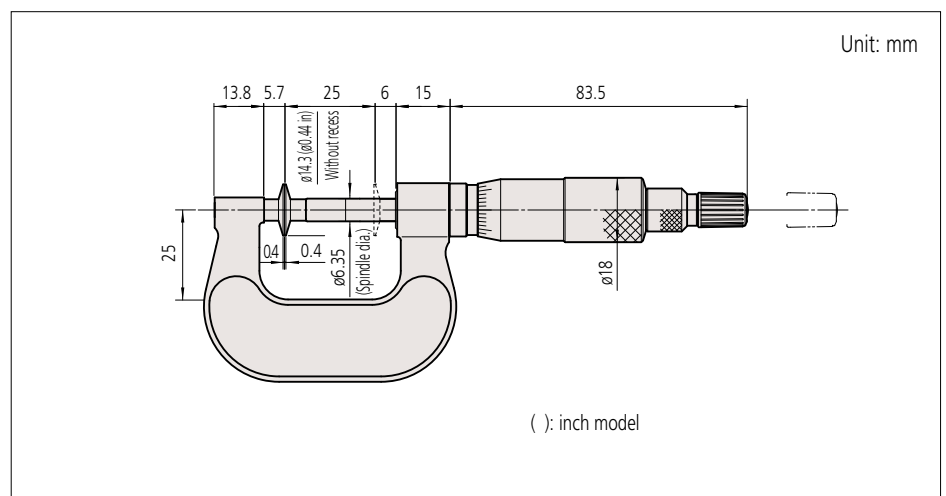
169-101-10

SPECIFICATIONS

Metric					
Code No.	Range (mm)	Graduation (mm)	Maximum permissible error J_{MPE} (μ m)	Flatness (μ m)	Parallelism (μ m)
169-101-10	0 - 25	0.01	± 4	1	3
Inch					
Code No.	Range (in)	Graduation (in)	Maximum permissible error J_{MPE} (in)	Flatness (in)	Parallelism (in)
169-103-10	0 - 1	0.001	± 0.0002	0.00004	0.00015

- Standard Accessories: Spanner (301336), 1 pc.

DIMENSIONS



Tài liệu được tổng hợp bởi đội ngũ kỹ thuật của NPOWER
Bản quyền nội dung thuộc về Mitutoyo

Powered by NAVITECH | www.navitech.co
www.npower.com.vn