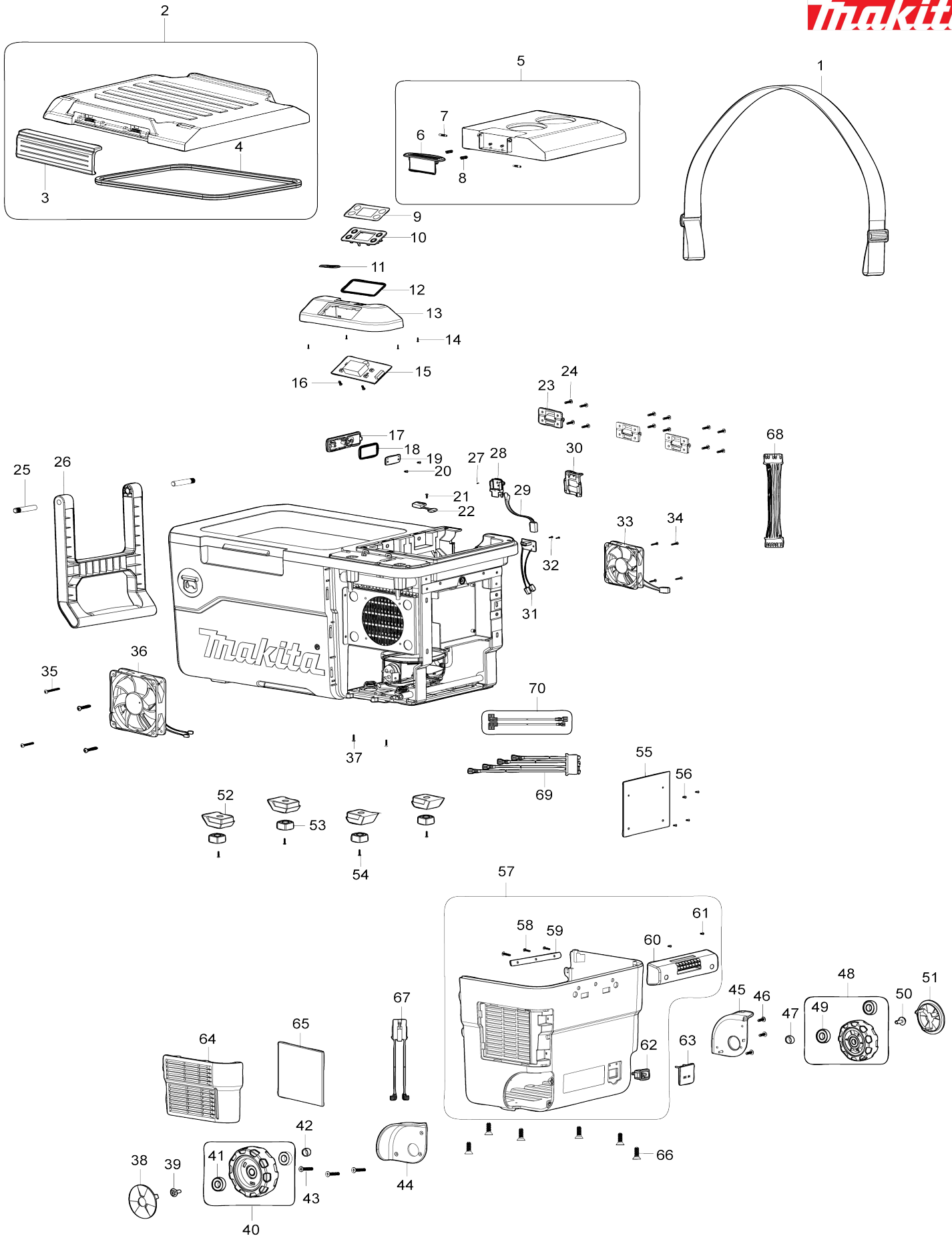


Model No.CW001G CORDLESS COOLER & WARMER BOX



Model No.CW001G CORDLESS COOLER & WARMER BOX

Bản vẽ	Mã Phụ tùng	Mô tả	Tương ứng với	Số lượng	Cũ/ Mới	Ghi chú 1	Ghi chú 2
001	A-71093	SHOULDER BELT		1			
002	WL00000004	TOP COVER ASSY		1			
C10	WL00000315	CAUTION LABEL		1			
002		INC. 3,4					
003	WL00000005	HANDLE A		1			
004	WL00000006	SEALING		1			
005	WL00000088	BATTERY COVER		1			
005		INC. 6,7,8					
006	WL00000089	HANDLE B		1			
007	WL00000090	SHAFT		2			
008	WL00000010	COMPRESSION SPRING 5MM		2			
009	WL00000092	CONTROL FILM		1			
010	WL00000093	SWITCH PANEL		1			
011	WL00000094	XGT LABEL		1			
012	WL00000013	SEALING B		1			
013	WL00000095	CONTROL PANEL		1			
014	WL00000015	TAPPING SCREW 3X10		4			
015	WL00000096	CONTROL PCB		1			
016	WL00000017	TAPPING SCREW 3X8		2			
017	WL00000018	THERMOSTAT TOP COVER		1			
018	WL00000019	SEALING C		1			
019	WL00000097	LIGHT BOARD ASSY		1			
020	WL00000017	TAPPING SCREW 3X8		2			
021	WL00000015	TAPPING SCREW 3X10		1			
022	WL00000021	MAGNETIC SWITCH WITH CABLE		1			
023	WL00000022	HINGE		3			
024	WL00000023	TAPPING SCREW 4X16		12			
025	WL00000025	SHAFT 10MM (DRAG HANDLE)		2			
026	WL00000026	DRAG HANDLE		1			
027	WL00000098	SCREWS ST3X8		1			
028	WL00000099	BATTERY TERMINAL		1			
029	WL00000100	LEAD WIRE		1			
030	WL00000101	BATTERY TERMINAL COVER		1			
031	WL00000102	USB PCB		1			
032	WL00000015	TAPPING SCREW 3X10		2			
033	WL00000103	FAN A WITH CABLE		1	*		
033-1	WL00000432	FAN A WITH CABLE	O	1			
034	WL00000104	SCREWS M4X30		4			
035	WL00000104	SCREWS M4X30		4			
036	WL00000030	FAN B WITH CABLE		1	*		
036-1	WL00000264	FAN	O	1			
037	WL00000023	TAPPING SCREW 4X16		2			
038	WL00000105	WHEEL COVER		1			
039	WL00000032	SCREW M6X16 WITH WASHER		1			
040	WL00000033	WHEEL ASSY		1			
040		INC. 41					
041	WL00000034	BEARING FOR SHAFT		2			
042	WL00000035	SHAFT SLEEVE 12MM		1	*		

042-1	WL00000433	SHAFT SLEEVE 12MM	O	1		
043	WL00000036	COUNTERSUNK TAPPING SCREW 4X12		3		
044	WL00000114	LEFT WHEEL COVER(OLIVE)		1		
045	WL00000115	RIGHT WHEEL COVER(OLIVE)		1		
046	WL00000036	COUNTERSUNK TAPPING SCREW 4X12		3		
047	WL00000035	SHAFT SLEEVE 12MM		1	*	
047-1	WL00000433	SHAFT SLEEVE 12MM	O	1		
048	WL00000033	WHEEL ASSY		1		
048		INC. 49				
049	WL00000034	BEARING FOR SHAFT		2		
050	WL00000032	SCREW M6X16 WITH WASHER		1		
051	WL00000105	WHEEL COVER		1		
052	WL00000039	FOOT		4		
053	WL00000040	FOOT PAD		4		
054	WL00000023	TAPPING SCREW 4X16		4		
055	WL00000108	POWER PCB		1		
056	WL00000017	TAPPING SCREW 3X8		4		
057	WL00000116	REAR COVER ASSY(OLIVE)		1		
057		INC. 58-62				
058	WL00000044	TAPPING SCREW 4X12		3		
059	WL00000045	HANDLE STRENGTHEN IRON		1		
060	WL00000117	LIFTED HANDLE R (OLIVE)		1		
061	WL00000110	SCREWS M4X12		2		
062	WL00000048	DC IN SOCKET		1		
063	WL00000111	DC IN COVER		1		
064	WL00000118	DUST PROOF COVER(OLIVE)		1		
065	WL00000051	FILTER SPONGE		1		
066	WL00000052	COUNTERSUNK TAPPING SCREW 4X18		6		
067	WL00000068	POWER CONNECTION WIRE		1		
068	WL00000069	CONTROLLING PCB WIRE		1		
069	WL00000070	COMPRESSOR PCB WIRE		1		
070	WL00000087	COMPRESSOR INPUT WIRE		1		
072	WL00000284	SCREW ST 4X30		2		
A01	WL00000151	AC ADAPTOR ASSY M		1		
C10	WL00000150	AC POWER CORD		1		
A02	WL00000002	CIGAR LIGHTER DC 12-24V		1		
C10	WL00000056	FUSE		1		