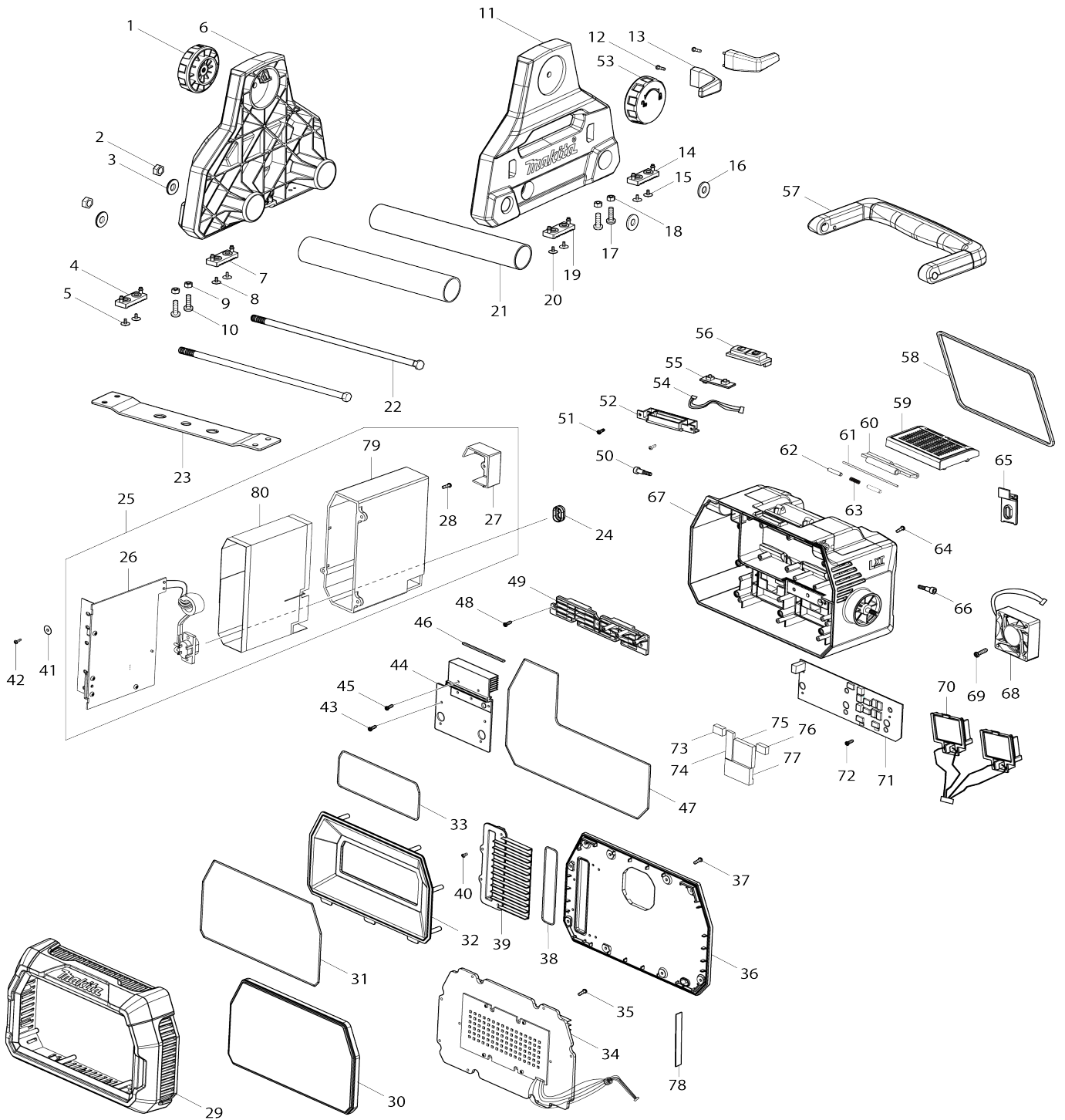


Model No.DML809 CORDLESS WORKLIGHT



Model No.DML809 CORDLESS WORKLIGHT

Bản vẽ	Mã Phụ tùng	Mô tả	Tương ứng với	Số lượng	Cũ/ Mới	Ghi chú 1	Ghi chú 2
001	GM00002160	LATCH KNOB ASSY		1			
002	GM00002158	NUT M8		2			
003	GM00002157	METAL OD20XID8.5X2MM		2			
004	GM00002154	RUBBER FOOT		1			
005	GM00002164	SCREW 3X6 PWB		2			
006	GM00002162	STAND LEFT ASSY		1			
007	GM00002154	RUBBER FOOT		1			
008	GM00002164	SCREW 3X6 PWB		2			
009	GM00002155	NUT M5		2			
010	GM00002156	SCREW 5X15 PM		2			
011	GM00002161	STAND RIGHT ASSY		1			
012	GM00002165	SCREW 3X18 PT		2			
013	GM00002159	AC POWER CORD HOOKS		2			
014	GM00002154	RUBBER FOOT		1			
015	GM00002164	SCREW 3X6 PWB		2			
016	GM00002157	METAL OD20XID8.5X2MM		2			
017	GM00002156	SCREW 5X15 PM		2			
018	GM00002155	NUT M5		2			
019	GM00002154	RUBBER FOOT		1			
020	GM00002164	SCREW 3X6 PWB		2			
021	GM00002192	METAL STAND HOLDING TUBE		2			
022	GM00002191	METAL M8 BOLT		2			
023	GM00002190	METAL BASE HOLDING PLATE		1			
024	GM00002150	AC SOCKET HOLDER O-RING		1			
025	GM00002264	AC POWER COMPLETE EU		1			
025		INC. 26-28,79,80					
026	GM00002262	AC POWER ASSY EU		1			
027	GM00002187	FERRITE RING HOLDER		1			
028	GM00001332	SCREW 3 X 8 PB		6			
029	GM00002167	FRONT COVER ASSY		1			
030	GM00002168	LENS ASS'Y		1			
031	GM00002169	LENS O-RING		1			
032	GM00002170	REFLECTOR ASS'Y		1			
033	GM00002171	HEAT SINK O-RING		1			
034	GM00002172	LED PCBA ASS'Y		1			
035	GM00002165	SCREW 3X18 PT		8			
036	GM00002173	MID-BODY COVER		1			
037	GM00002165	SCREW 3X18 PT		10			
038	GM00002175	RUBBER HEAT SINK		1			
039	GM00002174	AC POWER HEAT SINK		1			
040	GM00001332	SCREW 3 X 8 PB		4			
041	GM00002254	NYLON WASHER		5			
042	GM00002260	SCREW 3X13 PWB		5			
043	GM00002165	SCREW 3X18 PT		4			
044	GM00002253	HEAT SINK ASSY		1			
045	GM00002165	SCREW 3X18 PT		5			
046	GM00002178	MID BODY O-RING		1			
047	GM00002176	MID-BODY O-RING		1			

048	GM00002165	SCREW 3X18 PT		3		
049	GM00002180	TERMINAL HOLDING PLATE ASSY		1		
050	GM00002137	INSIDE-HEX SCREW		1		
051	GM00001333	SCREW 3 X 12PB B0130120702		2		
052	GM00002138	SWITCH HOLDER		1		
053	GM00002160	LATCH KNOB ASSY		1		
054	GM00002181	4P WAFER		1		
055	GM00002182	SWITCH PCBA ASSY		1		
056	GM00002141	SWITCH ASSY		1		
057	GM00002185	HANDLE ASSY		1		
058	GM00002183	O-RING MID BODY		1		
059	GM00002258	LATCH A		1		
060	GM00002257	LATCH B		1		
061	GM00002256	SHAFT B		1		
062	GM00002255	SHAFT A		2		
063	GM00002259	SPRING		1		
064	GM00002165	SCREW 3X18 PT		8		
065	GM00002142	AC SOCKET O-RING		1		
066	GM00002137	INSIDE-HEX SCREW		1		
067	GM00002184	MID BODY ASSY		1		
068	GM00002194	COOLING FAN		1		
069	GM00002193	SCREW 4X30 PA		4		
070	GM00002200	BATTERY HOLDER ASSY		1		
071	GM00002202	MAIN PCBA ASSY		1		
072	GM00002165	SCREW 3X18 PT		3		
073	GM00002195	SILICON RUBBER 15X10X5.7		1		
074	GM00002196	SILICON RUBBER 38X10X3.5		1		
075	GM00002197	SILICON RUBBER 30X30X5.7		1		
076	GM00002195	SILICON RUBBER 15X10X5.7		1		
077	GM00002198	SILICON RUBBER 40X23X7.1		1		
078	GM00002134	EVA-B		1		
079	GM00002186	AC POWER CASE ASSY		1		
080	GM00002201	AC CASE ISOLATED SHEET ASSY		1		
A01	GM00002127	VDE AC POWER CORD		1		