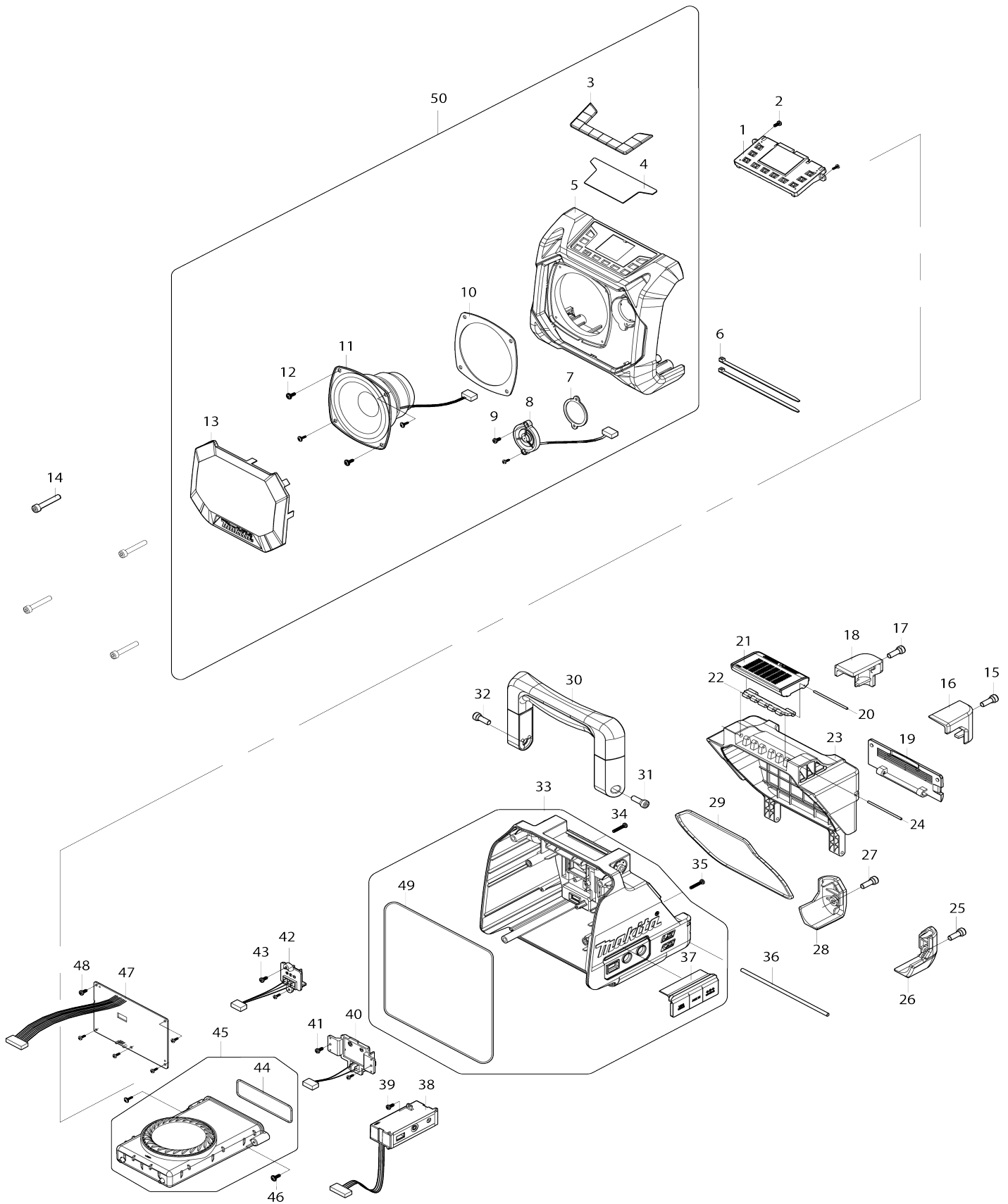


Model No.DMR203 CORDLESS JOB SITE SPEAKER



Model No.DMR203 CORDLESS JOB SITE SPEAKER

Bản vẽ	Mã Phụ tùng	Mô tả	Tương ứng với	Số lượng	Cũ/ Mới	Ghi chú 1	Ghi chú 2
001	SE00000796	PCB C ASS'Y		1			
002	SE00000521	SCREW PTB 3X8(ZK) 29S16308001		2			
003	SE00000797	RUBBER KEY		1			
004	SE00000798	DISPLAY PLATE		1			
005	SE00000799	FRONT CABINET(BLUE)		1			
006	SE00000195	W/TIES 100MM		2			
007	SE00000801	SPEAKER PACKING B		1			
008	SE00000802	TWEETER SPEAKER ASS'Y		1			
009	SE00000521	SCREW PTB 3X8(ZK) 29S16308001		2			
010	SE00000803	SPEAKER PACKING A		1			
011	SE00000804	MAIN SPEAKER ASS'Y		1			
012	SE00000557	SCREW PTPW 3X10(ZK) 29S1531000		4			
013	SE00000805	SPEAKER GRILL ASS'Y		1			
014	SE00000530	SCREW PTHE 6X37(CR) 29S1793701		4			
015	SE09176166	HEX SCREW M6X16		1			
016	SE00000531	BATTERY BUMPER R 3163B30000010		1			
017	SE09176166	HEX SCREW M6X16		1			
018	SE00000532	BATTERY BUMPER L 3162B30000010		1			
019	SE00000534	PHONE COVER ASS'Y 011B3A5		1			
020	SE00000533	PIN D2X88 2100B300100		1			
021	SE00000535	LOCKER COVER 3121B30000010		1			
022	SE00000536	LOCKER HINGE 3300B30000010		1			
023	SE00000537	BATTERY COVER (BLUE) 3120B3000		1			
024	SE00000539	PIN D2X77 2100B300200		1			
025	SE09176166	HEX SCREW M6X16		1			
026	SE00000541	REAR BUMPER R 3161B30000010		1			
027	SE09176166	HEX SCREW M6X16		1			
028	SE00000540	REAR BUMPER L 3160B30000010		1			
029	SE00000542	BATTERY PACKING 2400B300200		1			
030	SE00000543	HANDLE ASS'Y-BLUE 01HB3A1		1			
031	SE09176166	HEX SCREW M6X16		1			
032	SE09176166	HEX SCREW M6X16		1			
033	SE00000808	REAR CABINET ASS'Y(BLUE)		1			
033		INC. 37,49					
034	SE00000548	SCREW PTB 3X20(ZK) 29S09990047		1			
035	SE00000548	SCREW PTB 3X20(ZK) 29S09990047		1			
036	SE00000549	BATTERY COVER FIXER PIN 2100b3		1			
037	SE00000810	JACK RUBBER COVER		1			
038	SE00000654	JACK HOLDER ASS'Y-BLUE 011 AA3		1			
039	SE00000521	SCREW PTB 3X8(ZK) 29S16308001		1			

040	SE00000652	TERMINAL D ASSY 011 AA2		1		
041	SE00000521	SCREW PTB 3X8(ZK) 29S1630800 1		2		
042	SE00000651	TERMINAL 10.8V ASSY 011 AA1		1		
043	SE00000521	SCREW PTB 3X8(ZK) 29S1630800 1		2		
044	SE00000556	PHONE CASE PACKING 2400B30 0400		1		
045	SE00000555	MOBILE-PHONE-CASE ASS'Y 011 B3A		1		
045		INC. 44				
046	SE00000557	SCREW PTPW 3X10(ZK) 29S15310 00		2		
047	SE00000812	PCB A ASS'Y		1		
048	SE00000521	SCREW PTB 3X8(ZK) 29S1630800 1		5		
049	SE024PC040	PACKING		1		
050	SE00000806	FRONT CABINET ASS'Y(BLUE)		1		
050		INC. 3-5,7-13				
A01	SE00000792	AC ADAPTER (CE)		1		