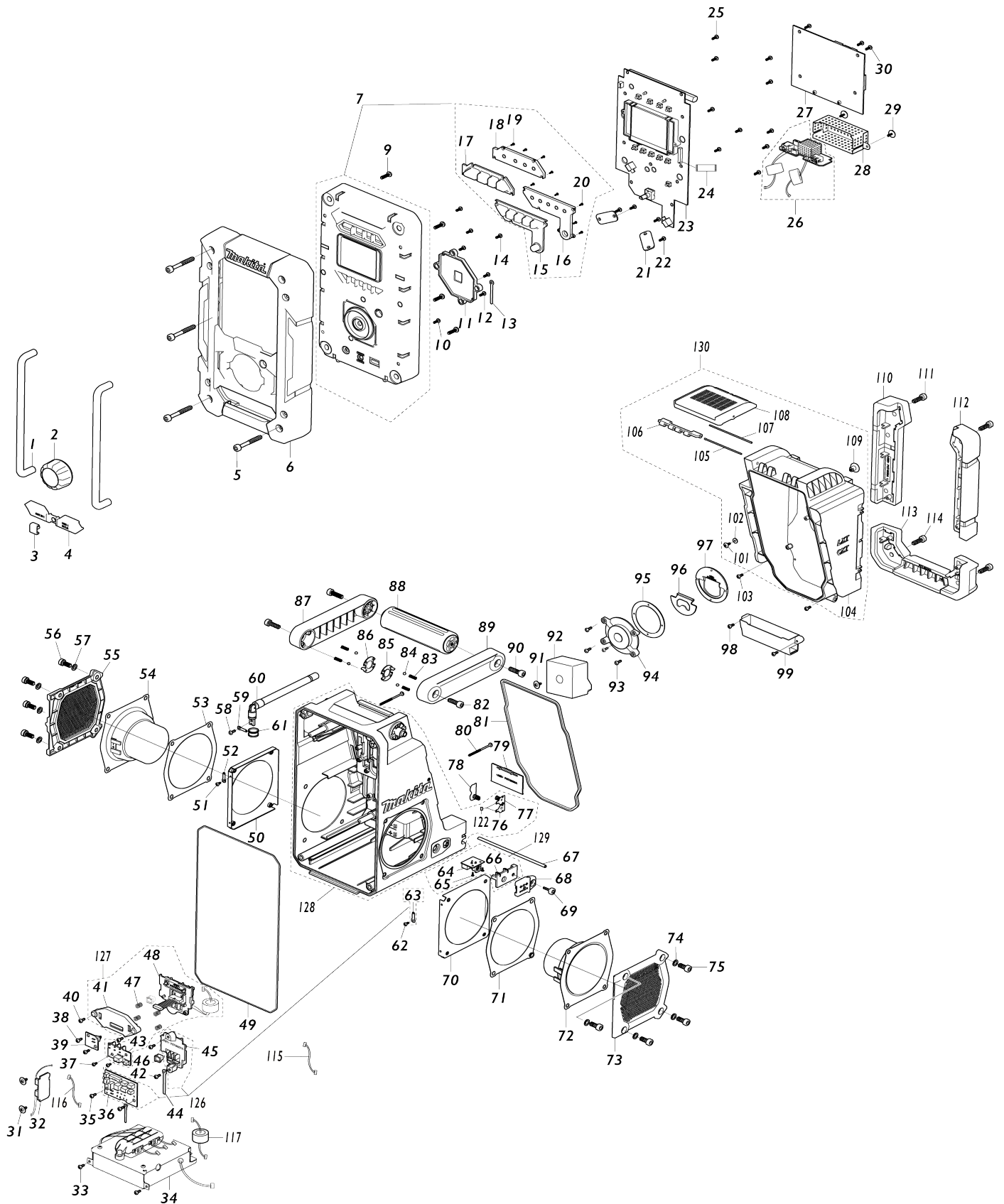


Model No.DMR300 JOB SITE CHARGER RADIO



Model No.DMR300 JOB SITE CHARGER RADIO

Bản vẽ	Mã Phụ tùng	Mô tả	Tương ứng với	Số lượng	Cũ/ Mới	Ghi chú 1	Ghi chú 2
001	TC00000001	FRONT BAR		2			
002	TC00000002	VOLUME KNOB		1			
003	TC00000003	USB COVER HOLDER		1			
004	TC00000004	USB COVER		1			
005	TC00000005	SCREW M6X45		4			
006	TC00000006	FRONT CABINET BLUE		1			
007	TC00000162	FRONT INNER CABINET ASSY		1			
007		INC. 15-20					
009	TC00000009	SCREW M4X15		4			
010	TC00000011	SCREW M3X8		1			
011	TC00000012	VOLUME HOLDER COVER		1			
012	TC00000011	SCREW M3X8		2			
013	TC00000010	WIRE CLAMP		1			
014	TC00000011	SCREW M3X8		4			
015	TC00000013	MIDDLE KEY		1			
016	TC00000014	MIDDLE KEY HOLDER		1			
017	TC00000016	TOP KEY		1			
018	TC00000017	TOP KEY HOLDER		1			
019	TC00000015	SCREW M1.7X5		4			
020	TC00000015	SCREW M1.7X5		5			
021	TC00000019	COVER PCB		2			
022	TC00000011	SCREW M3X8		4			
023	TC00000020	PCBA-DISPLAY		1			
024	TC00000178	FLAT CABLE		1			
025	TC00000011	SCREW M3X8		10			
026	TC00000163	PCBA-USB1 ASSY		1			
027	TC00000025	PCBA-MAIN B		1			
028	TC00000027	SHIELD		1			
029	TC00000026	SCREW M3X8		2			
030	TC00000011	SCREW M3X8		3			
031	TC00000026	SCREW M3X8		2			
032	TC00000029	PCBA-USB2		1			
033	TC00000011	SCREW M3X8		2			
034	TC00000030	PCBA CHARGING		1			
035	TC00000011	SCREW M3X8		2			
036	TC00000031	PCBA-CXT BATTERY		1			
037	TC00000032	SCREW M2.6X6		2			
038	TC00000011	SCREW M3X8		2			
039	TC00000033	PCBA-SWITCH		1			
040	TC00000011	SCREW M3X8		2			
041	TC00000034	LXT TERMINAL HOLDER BLUE		1			
042	TC00000011	SCREW M3X8		2			
043	TC00000036	PCBA-LXT BATTERY		1			
044	TC00000010	WIRE CLAMP		2			
045	TC00000037	CXT TERMINAL		1			
046	TC00000038	BAT SWITCH BUTTON BLUE		2			
047	TC00000040	LXT SPRING		4			
048	TC00000041	LXT TERMINAL		1			

049	TC00000042	FRONT INNER CABINET RUBBER		1		
050	TC00000045	SPEAKER BRACKET		1		
051	TC00000032	SCREW M2.6X6		1		
052	TC00000046	LEAD UNIT		1	*	
052-1	TC00000186	LEAD UNIT	<	1		
053	TC00000047	SPEAKER RUBBER		1		
054	TC00000048	SPEAKER L		1		
055	TC00000049	SPK COVER		1		
056	TC00000050	SCREW M6X14		4		
057	TC00000051	RUBBER RING		4		
058	TC00000052	SCREW M3X10		1		
059	TC00000186	LEAD UNIT		1	*	
059-1	TC00000199	ANTENNA LEAD UNIT	<	1		
060	TC00000053	FM ANTENNA		1		
061	TC00000054	RUBBER RING		1		
062	TC00000032	SCREW M2.6X6		1		
063	TC00000046	LEAD UNIT		1	*	
063-1	TC00000186	LEAD UNIT	<	1		
064	TC00000055	PCBA-DC JACK		1		
065	TC00000015	SCREW M1.7X5		2		
066	TC00000056	DC JACK HOLDER BLUE		1		
067	TC00000058	BACK CABINET SHAFT		1		
068	TC00000059	DC JACK COVER		1		
069	TC00000060	SCREW M3X14		1		
070	TC00000045	SPEAKER BRACKET		1		
071	TC00000047	SPEAKER RUBBER		1		
072	TC00000174	SPEAKER R		1		
073	TC00000049	SPK COVER		1		
074	TC00000051	RUBBER RING		4		
075	TC00000050	SCREW M6X14		4		
076	TC00000061	BATTERY PLUS PLATE		1		
077	TC00000062	BATTERY MINUS PLATE		1	*	
077-1	TC00000200	BATTERY MINUS PLATE	<	1		
078	TC00000063	BATTERY MINUS PLUS PLATE		1	*	
078-1	TC00000201	BATTERY MINUS PLUS PLATE	<	1		
079	TC00000064	BATTERY COVER BLUE		1		
080	TC00000066	HEXA SOCKET SCREW T15 3X45		2		
081	TC00000067	MIDDLE CABINET RUBBER		1		
082	TC00000068	SCREW M6X19		2		
083	TC00000069	COMPRESSION SPRING		4		
084	TC00000070	STEEL BALL		4		
085	TC00000071	HANDLE PLATE R		1		
086	TC00000072	HANDLE PLATE L		1		
087	TC00000073	HANDLE L BLUE		1		
088	TC00000075	GRIP		1		
089	TC00000076	HANDLE R BLUE		1		
090	TC00000078	SCREW M6X20		2		
091	TC00000026	SCREW M3X8		1		
092	TC00000175	BATTERY RUBBER PAD		1		
093	TC00000011	SCREW M3X8		4		
094	TC00000080	BOTTLE OPENER BACK COVER BLUE		1		

095	TC00000082	RUBBER RING		1		
096	TC00000085	BOTTLE OPENER		1		
097	TC00000086	HOLDER		1		
098	TC00000011	SCREW M3X8		2		
099	TC00000087	PHONE POCKET BLUE		1		
101	TC00000089	SCREW M3X8		1		
102	TC00000090	RUBBER RING		1		
103	TC00000011	SCREW M3X8		2		
104	TC00000091	BACK CABINET BLUE		1		
105	TC00000093	SHAFT SHORT		1		
106	TC00000094	HINGE BLUE		1		
107	TC00000096	SHAFT LONG		1		
108	TC00000097	LATCH BLUE		1		
109	TC00000099	HOOK		1		
110	TC00000100	CABINET HOLDER L BLUE		1		
111	TC00000068	SCREW M6X19		2		
112	TC00000102	CABINET HOLDER R BLUE		1		
113	TC00000104	CABINET HOLDER BLUE		1		
114	TC00000068	SCREW M6X19		2		
115	TC00000179	4P WIRE		1		
116	TC00000180	8P WIRE		1		
117	TC00000181	2P/4P WIRE ASSY		1		
122	TC00000169	LEAD UNIT		1		
126	TC00000164	CXT TERMINAL ASSY		1		
126		INC 36,45,63				
127	TC00000165	LXT TERMINAL ASSY BLUE		1		
127		INC. 41,43,47,48				
128	TC00000168	MIDDLE CABINET ASSY BLUE		1		
128		INC. 76,77,122				
129	TC00000172	DC JACK ASSY BLUE		1		
129		INC. 64-66				
130	TC00000176	BACK CABINET ASSY BLUE		1		
130		INC. 101,102,104-109				
A01	TC00000136	AC ADAPTER D		1		
A02	TC00000142	AC CORD A		1		