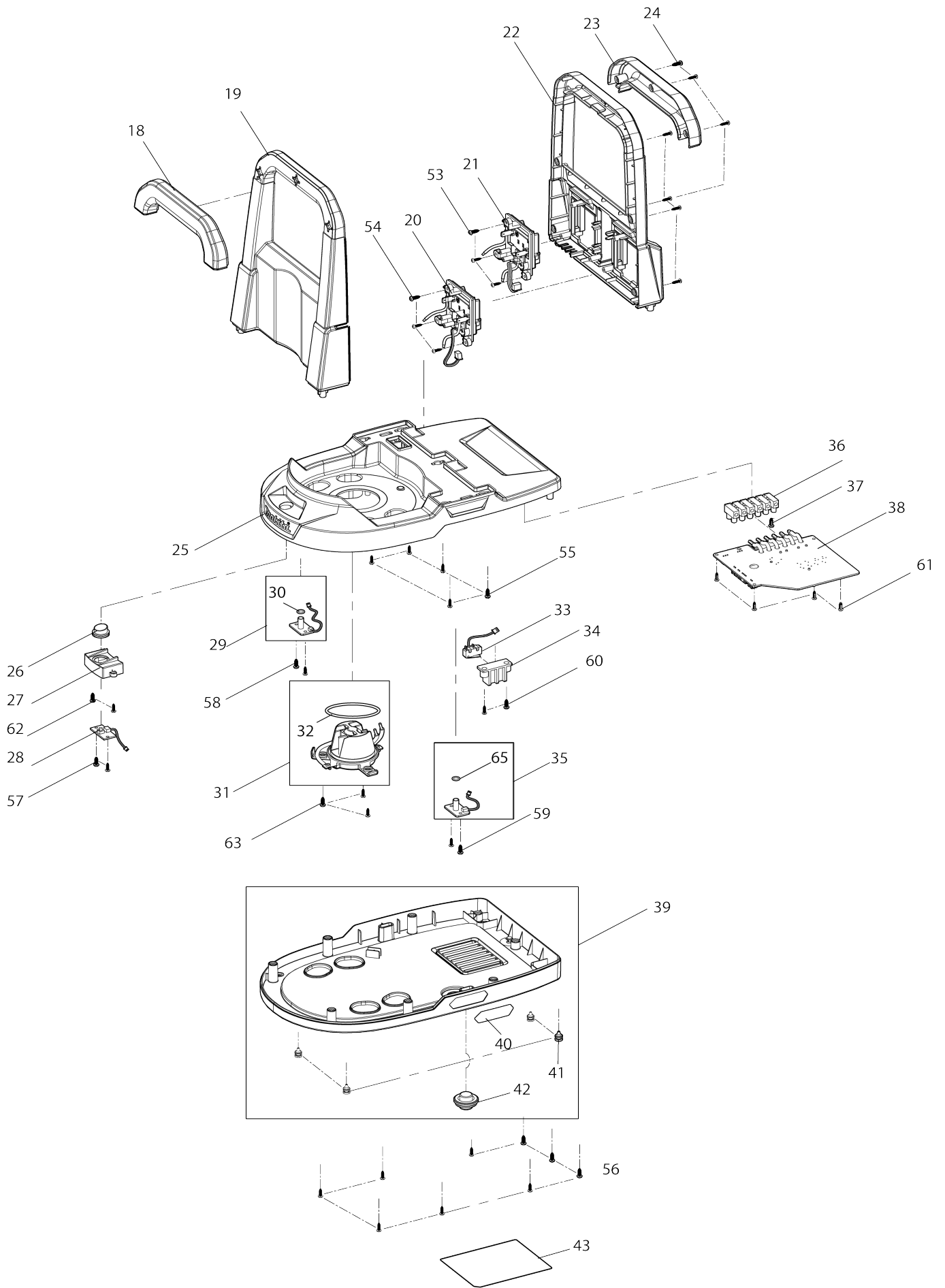


Model No.KT001G CORDLESS KETTLE



Model No.KT001G CORDLESS KETTLE

Bản vẽ	Mã Phụ tùng	Mô tả	Tương ứng với	Số lượng	Cũ/ Mới	Ghi chú 1	Ghi chú 2
001	KF00000076	TOP COVER ASSEMBLY(BLUE)		1			
001		INC. 2-8,51					
002	KF00000078	PLUG		1			
003	KF00000079	PLUG COVER		1			
004	KF00000080	COUNTERSUNK SCREW ST3X12		2			
005	KF00000081	FILTER NET		1			
006	KF00000082	SILICONE OF WATER STOPPER		1			
007	KF00000083	WATER STOPPER		1			
008	KF00000084	SEAL RING OF COVER		1			
009	KF00000085	KETTLE ASSEMBLY(BLUE)		1			
009		INC. 10-16,52					
010	KF00000087	HANDLE CLIP		1			
011	KF00000088	HANDLE COVER		1			
012	KF00000002	TAPPING SCREW ST3X12		1			
013	KF00000089	TAPPING SCREW ST3X8		4			
014	KF00000090	SEAL RING		2			
015	KF00000091	BOTTOM COVER		1			
016	KF00000092	H.L. SOCKET HEAD SCREW T10		3			
017	KF00000160	KETTLE NAME PLATE		1			
018	KF00000103	HANDLE COVER L		1			
019	KF00000164	HANDLE BASE L(BLUE)		1			
020	KF00000165	BATTERY HOLDER A		1			
021	KF00000166	BATTERY HOLDER B		1			
022	KF00000167	HANDLE BASE R(BLUE)		1			
023	KF00000114	HANDLE COVER R		1			
024	KF00000211	TAPPING SCREW ST3X12		7			
025	KF00000169	BASE(BLUE)		1			
026	KF00000120	BUTTON		1			
027	KF00000121	PCB SWITCH SUPPORT		1			
028	KF00000122	SWITCH BOARD		1			
029	KF00000193	NTC BOTTOM CONTACT PAD A ASSY		1			
029		INC. 30					
030	KF00000119	SEAL RING		1			
031	KF00000170	COUPLER ASSEMBLY		1			
031		INC. 32					
032	KF00000127	COUPLER BASE SEAL RING		1			
033	KF00000194	MICRO-SWITCH ASSEMBLY		1			
034	KF00000125	MICRO-SWITCH SUPPORT		1			
035	KF00000123	NTC BOTTOM CONTACT PAD B ASSY		1			
035		INC. 65					
036	KF00000128	TERMINAL		1			
037	KF00000129	SCREW ST3X14		1			
038	KF00000171	MAIN PCB		1	*		
038-1	KF00000239	MAIN PCB	<	1			
039	KF00000172	BASE COVER ASSEMBLY		1			
039		INC. 40-42					
040	KF00000195	XGT LOGO LABEL		1			

041	KF00000028	FOOT		4			
042	KF00000132	SILICONE BUTTON		1			
043	KF00000177	BASE NAME PLATE		1			
051	KF00000080	COUNTERSUNK SCREW ST3X12		1			
052	KF00000080	COUNTERSUNK SCREW ST3X12		2			
053	KF00000210	TAPPING SCREW ST3X12		3			
054	KF00000210	TAPPING SCREW ST3X12		3			
055	KF00000210	TAPPING SCREW ST3X12		5			
056	KF00000211	TAPPING SCREW ST3X12		9			
057	KF00000089	TAPPING SCREW ST3X8		2			
058	KF00000212	TAPPING SCREW ST3X8		2			
059	KF00000212	TAPPING SCREW ST3X8		2			
060	KF00000212	TAPPING SCREW ST3X8		2			
061	KF00000212	TAPPING SCREW ST3X8		4			
062	KF00000212	TAPPING SCREW ST3X8		2			
063	KF00000212	TAPPING SCREW ST3X8		3			
065	KF00000119	SEAL RING		1			