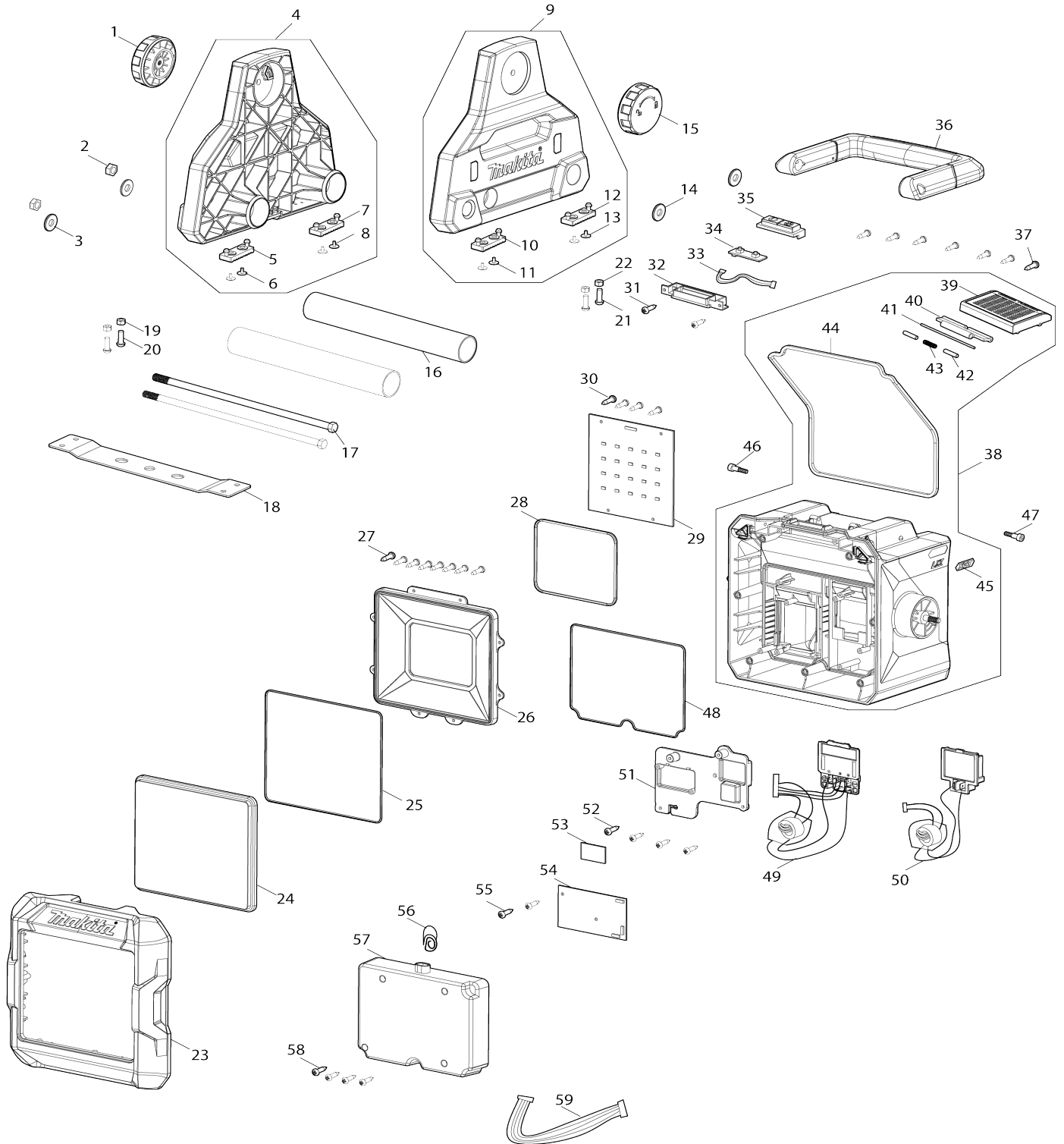


Model No.ML003G CORDLESS WORKLIGHT



Model No.ML003G CORDLESS WORKLIGHT

Bản vẽ	Mã Phụ tùng	Mô tả	Tương ứng với	Số lượng	Cũ/ Mới	Ghi chú 1	Ghi chú 2
001	GM00002160	LATCH KNOB ASSY		1			
002	GM00002158	NUT M8		2			
003	GM00002157	METAL OD20XID8.5X2MM		2			
004	GM00002308	STAND-LEFT ASSY		1			
004		INC. 5-8					
005	GM00002154	RUBBER FOOT		1			
006	GM00002164	SCREW 3X6 PWB		2			
007	GM00002154	RUBBER FOOT		1			
008	GM00002164	SCREW 3X6 PWB		2			
009	GM00002307	STAND-RIGHT ASS'Y		1			
009		INC. 10-13					
010	GM00002154	RUBBER FOOT		1			
011	GM00002164	SCREW 3X6 PWB		2			
012	GM00002154	RUBBER FOOT		1			
013	GM00002164	SCREW 3X6 PWB		2			
014	GM00002157	METAL OD20XID8.5X2MM		2			
015	GM00002160	LATCH KNOB ASSY		1			
016	GM00002305	STAND HOLDING TUBE		2			
017	GM00002304	METAL BOLT M8		2			
018	GM00002303	BASE HOLDING PLATE		1			
019	GM00002155	NUT M5		2			
020	GM00002156	SCREW 5X15 PM		2			
021	GM00002156	SCREW 5X15 PM		2			
022	GM00002155	NUT M5		2			
023	GM00002313	FRONT COVER ASSY		1			
024	GM00002314	LENS ASSY		1			
025	GM00002315	LENS O-RING		1			
026	GM00002316	REFLECTOR ASSY		1			
027	GM00001332	SCREW 3 X 8 PB		8			
028	GM00002317	HEAT SINK O-RING		1			
029	GM00002318	LED PCBA ASSY		1			
030	GM00001332	SCREW 3 X 8 PB		4			
031	GM00002165	SCREW 3X18 PT		2			
032	GM00002301	SWITCH HOLDER		1			
033	GM00002302	LEAD UNIT		1			
034	GM00002140	SWITCH PCBA ASSY		1			
035	GM00002141	SWITCH ASSY		1			
036	GM00002300	HANDLE ASSY		1			
037	GM00002165	SCREW 3X18 PT		7			
038	GM00002298	MID-BODY ASSY		1			
038		INC. 39-45					
039	GM00002258	LATCH A		1			
040	GM00002257	LATCH B		1			
041	GM00002256	SHAFT B		1			
042	GM00002255	SHAFT A		2			
043	GM00002309	SPRING		1			
044	GM00002299	LATCH O-RING		1			
045	GM00002310	XGT LABEL		1			

046	GM00002137	INSIDE-HEX SCREW		1		
047	GM00002137	INSIDE-HEX SCREW		1		
048	GM00002297	TERMINAL HOLDING PLATE O-RING		1		
049	GM00002295	XGT TERMINAL ASSY		1		
050	GM00002296	LXT TERMINAL ASSY		1		
051	GM00002294	TERMINAL HOLDING PLATE ASSY		1		
052	GM00002165	SCREW 3X18 PT		4		
053	GM00002306	SILICONE SHEET		1		
054	GM00002292	MAIN PCBA ASSY		1	*	
054-1	GM00002489	MAIN PCBA ASSY	<	1		
055	GM00001332	SCREW 3 X 8 PB		2		
056	GM00002320	EVA		1		
057	GM00002319	POWER CASE		1		
058	GM00002165	SCREW 3X18 PT		4		
059	GM00002293	HOUSING CONNECTOR		1		
A01	GM00002312	ANTI-GLARE FILM		1	*	
A02	GM00002073	TRIPOD		1	*	
A03	GM00001396	WISE		1	*	