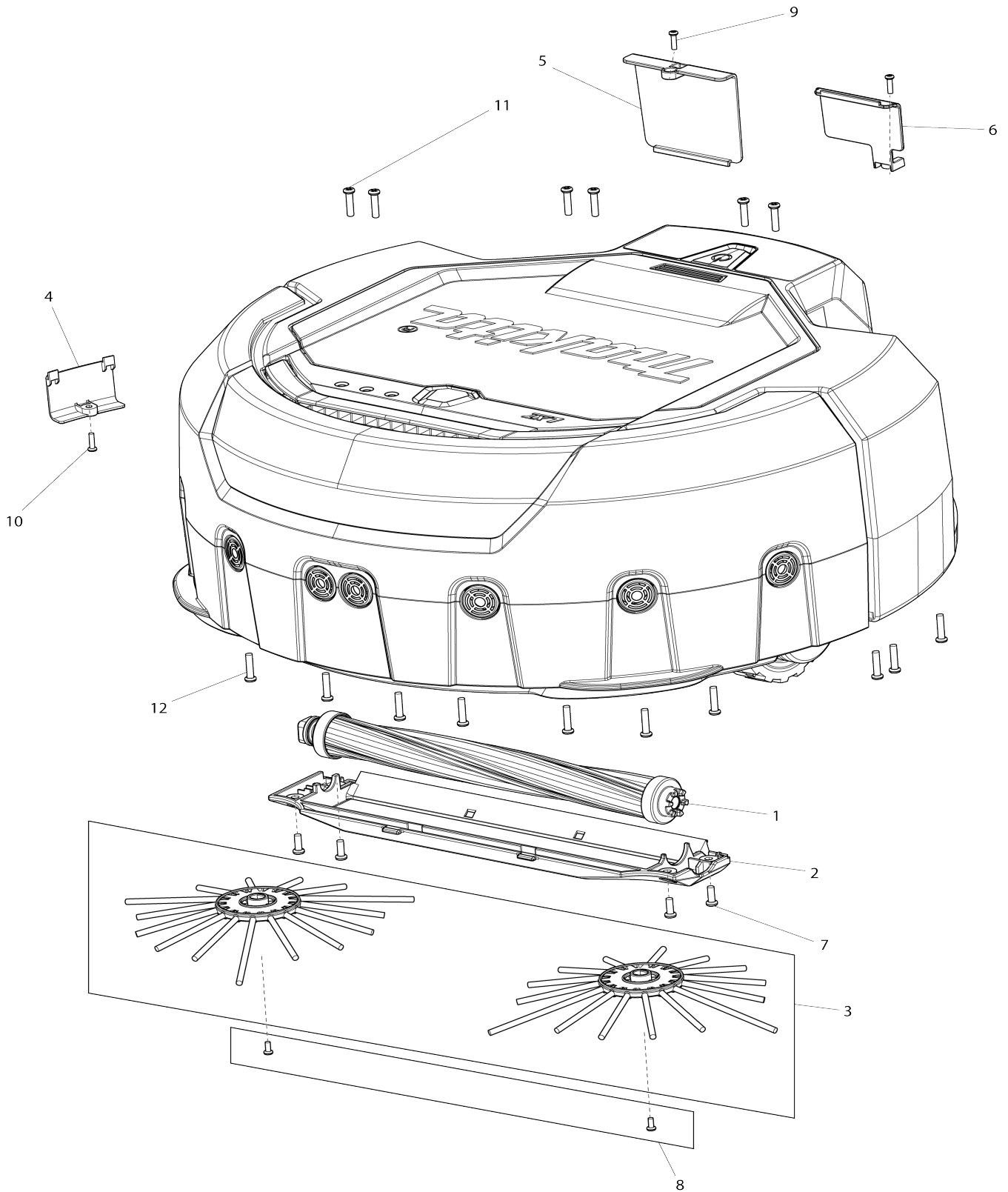
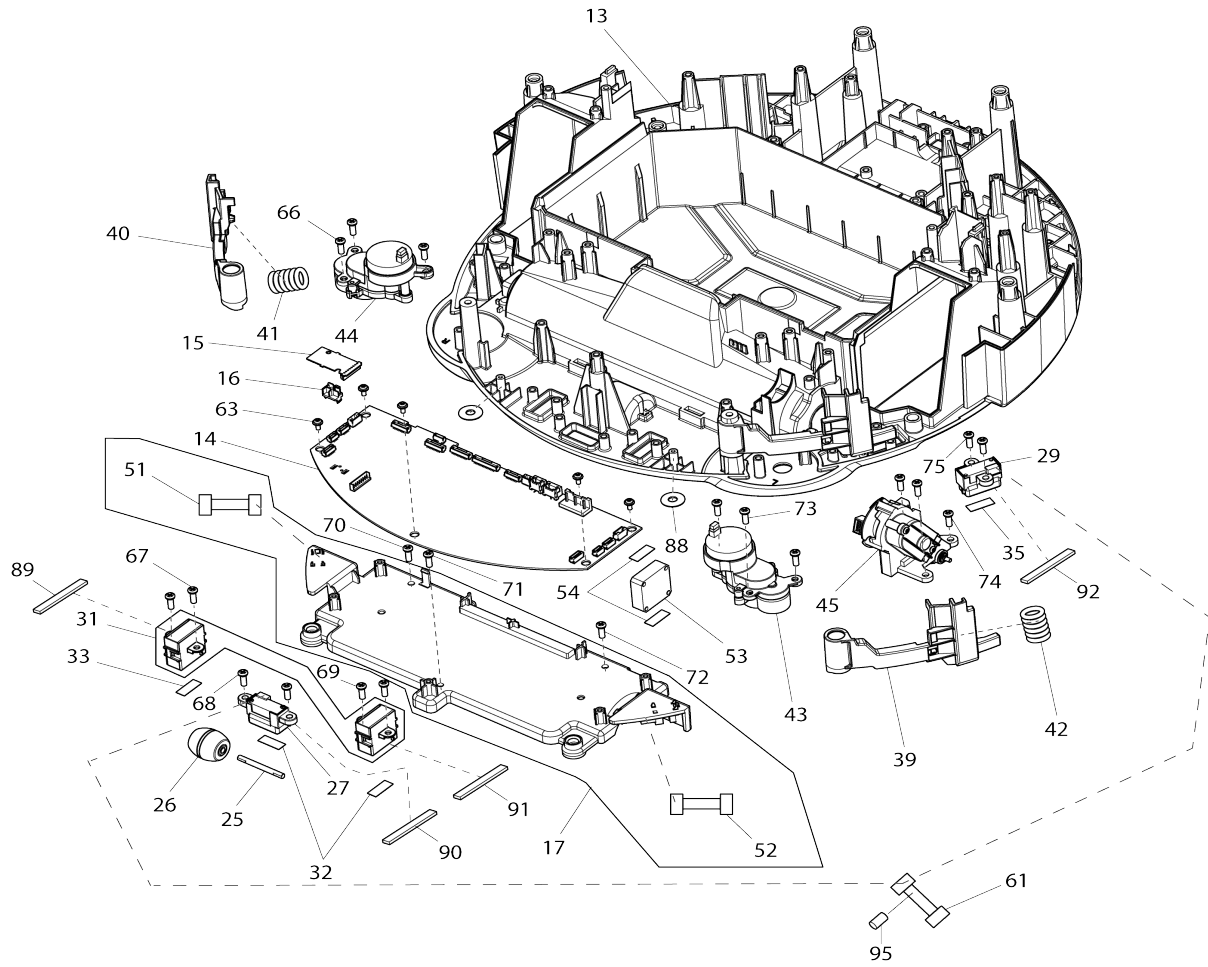


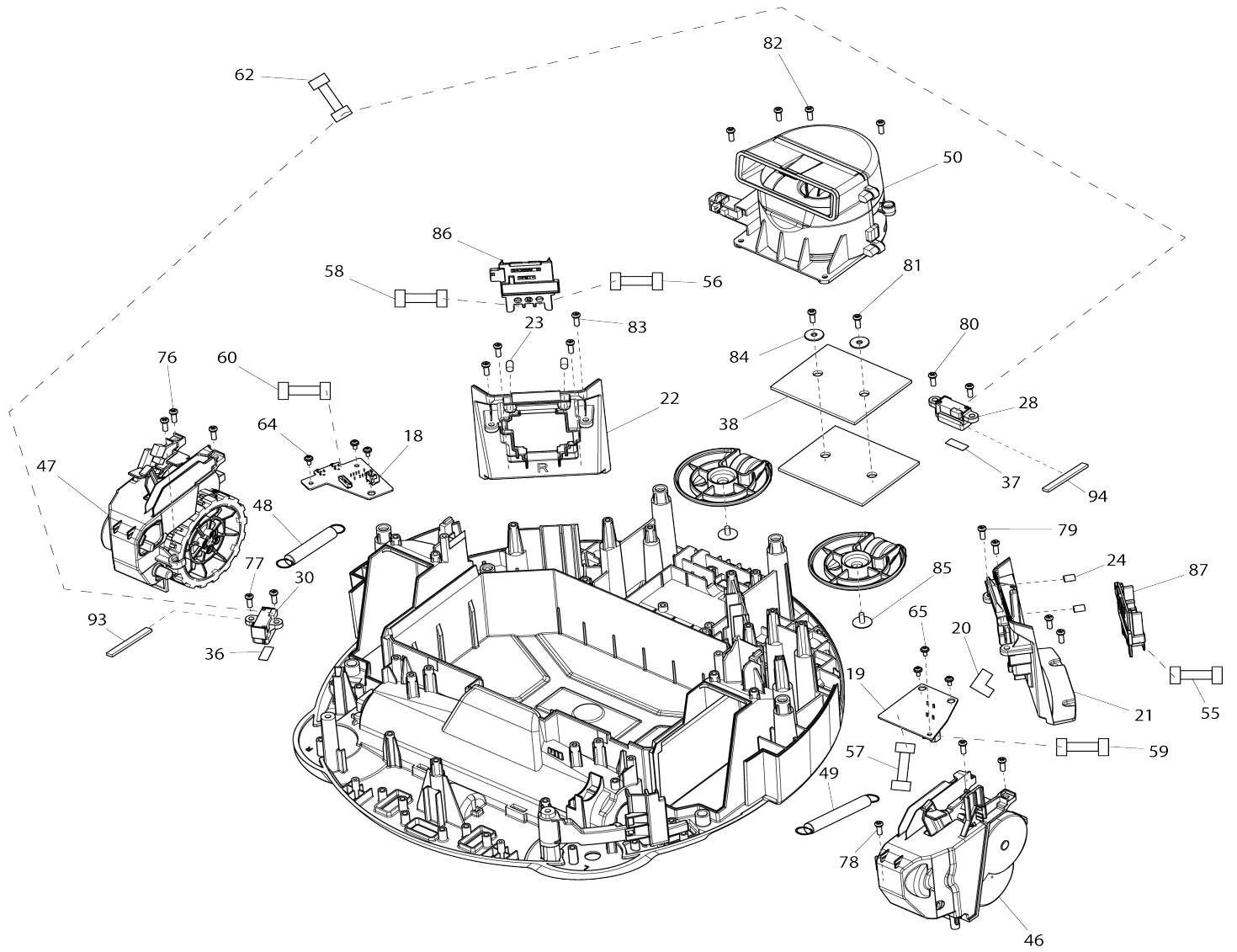
Model No.DRC200 ROBOTIC CLEANER



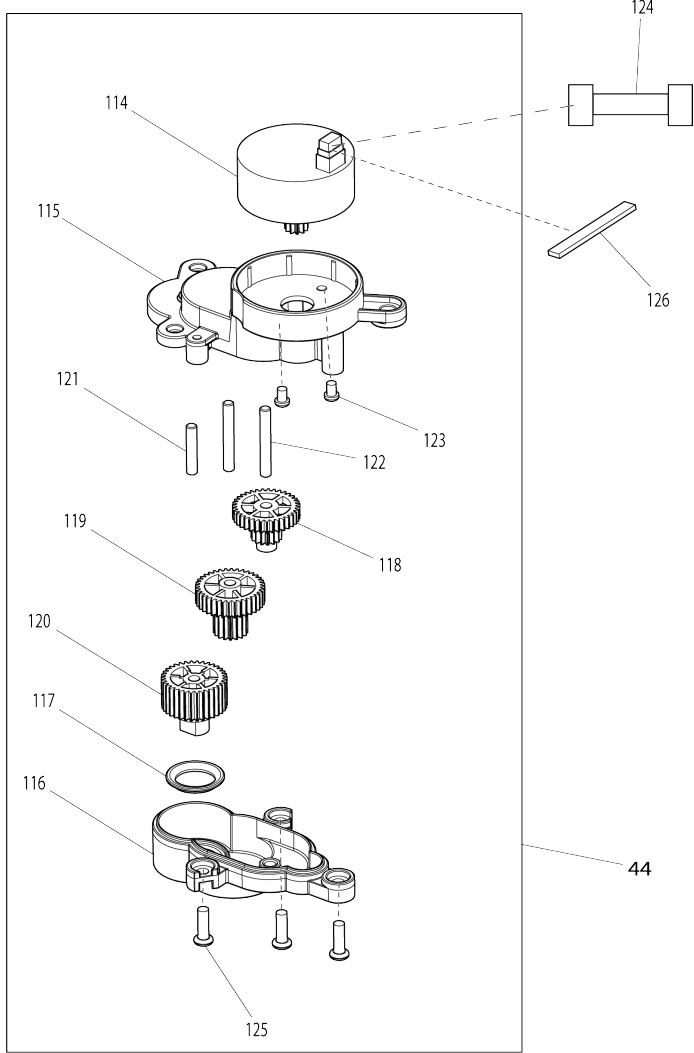
# Model No.DRC200 ROBOTIC CLEANER



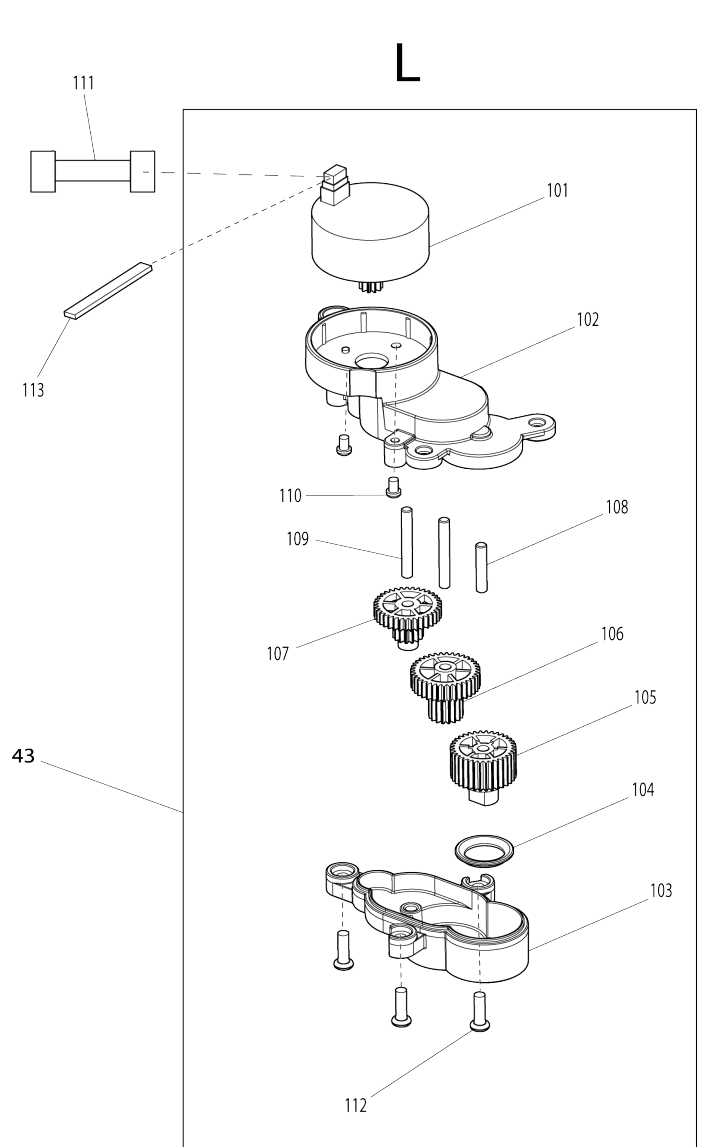
# Model No.DRC200 ROBOTIC CLEANER



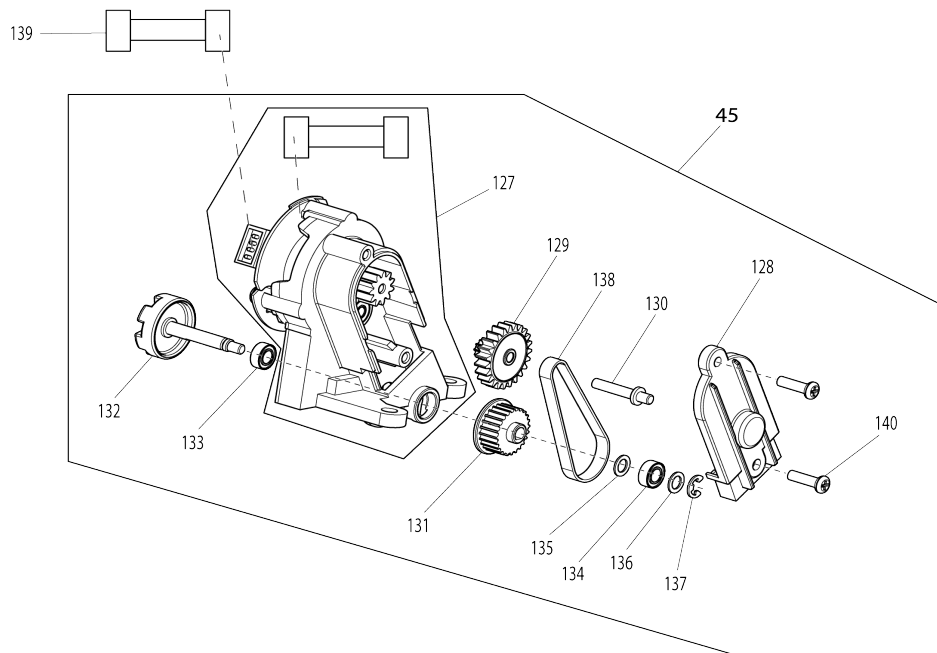
R



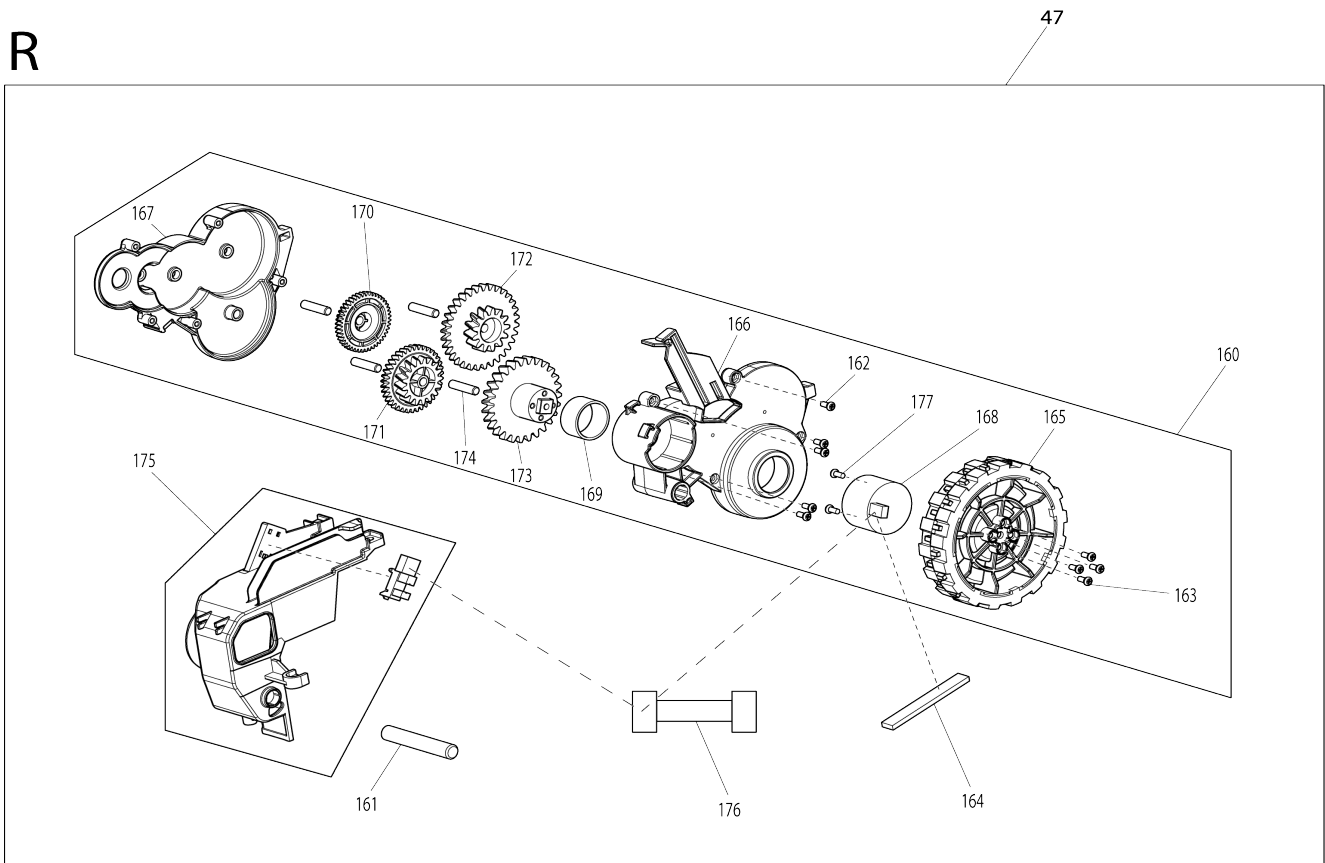
L



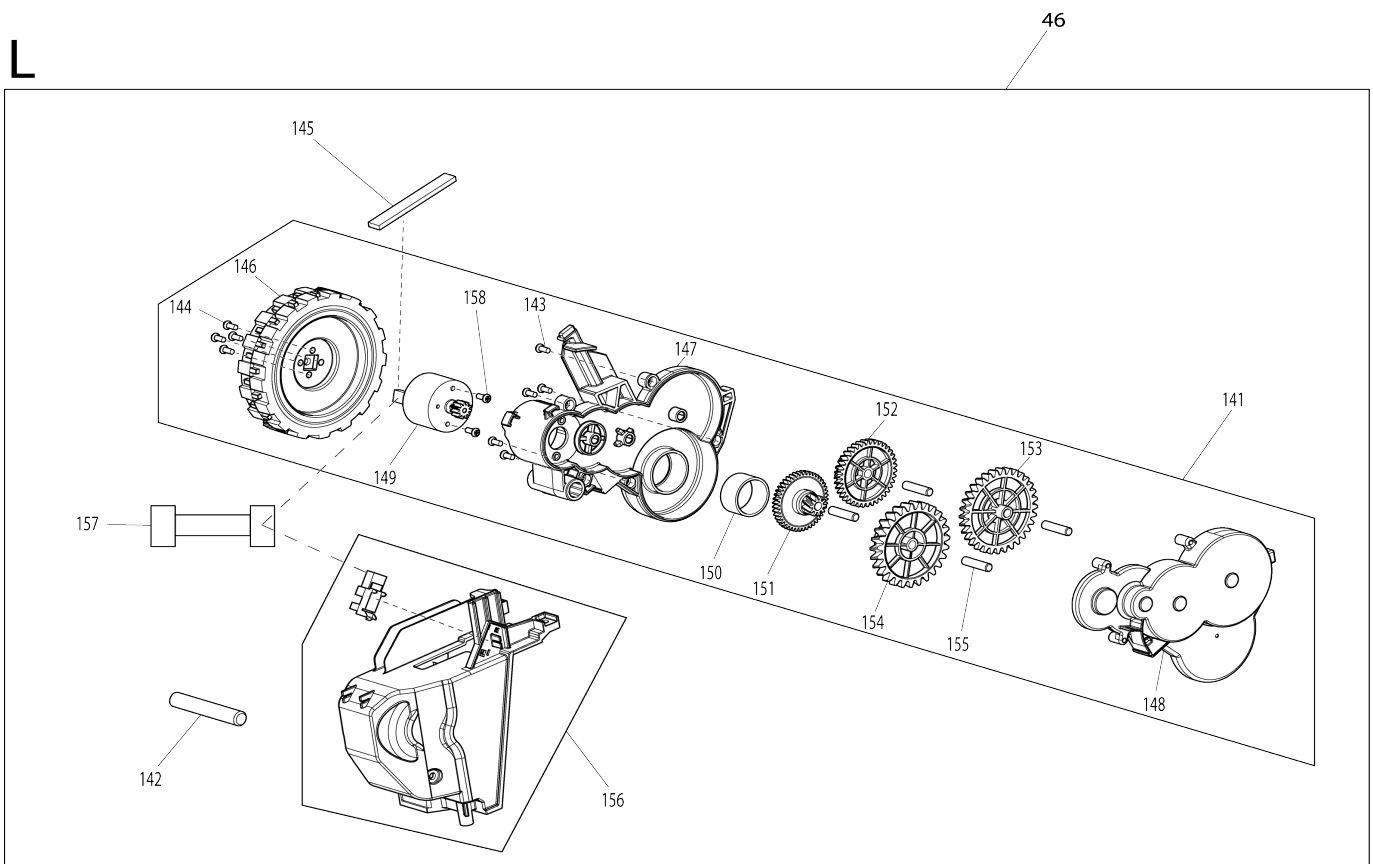
# Model No.DRC200 ROBOTIC CLEANER



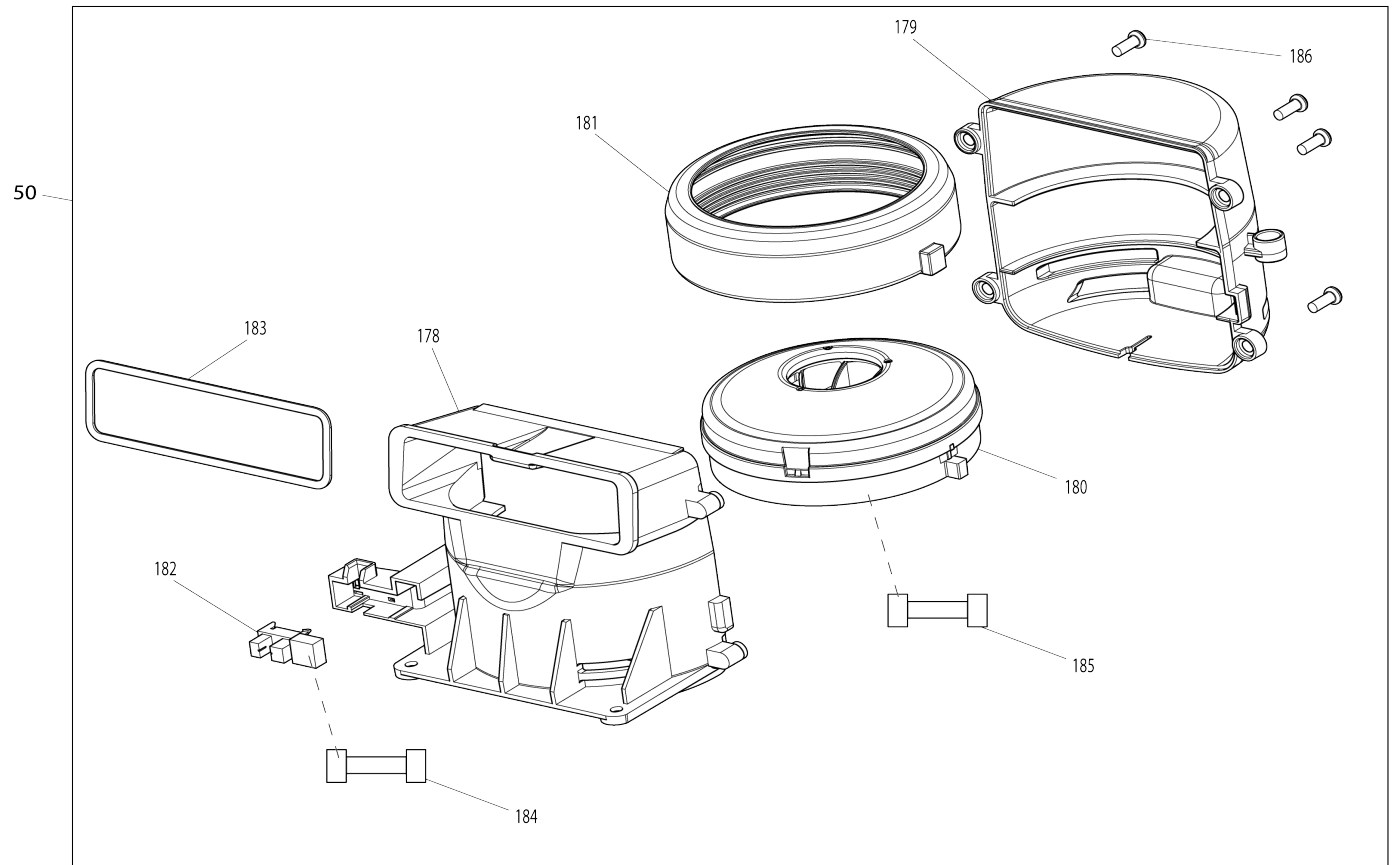
R



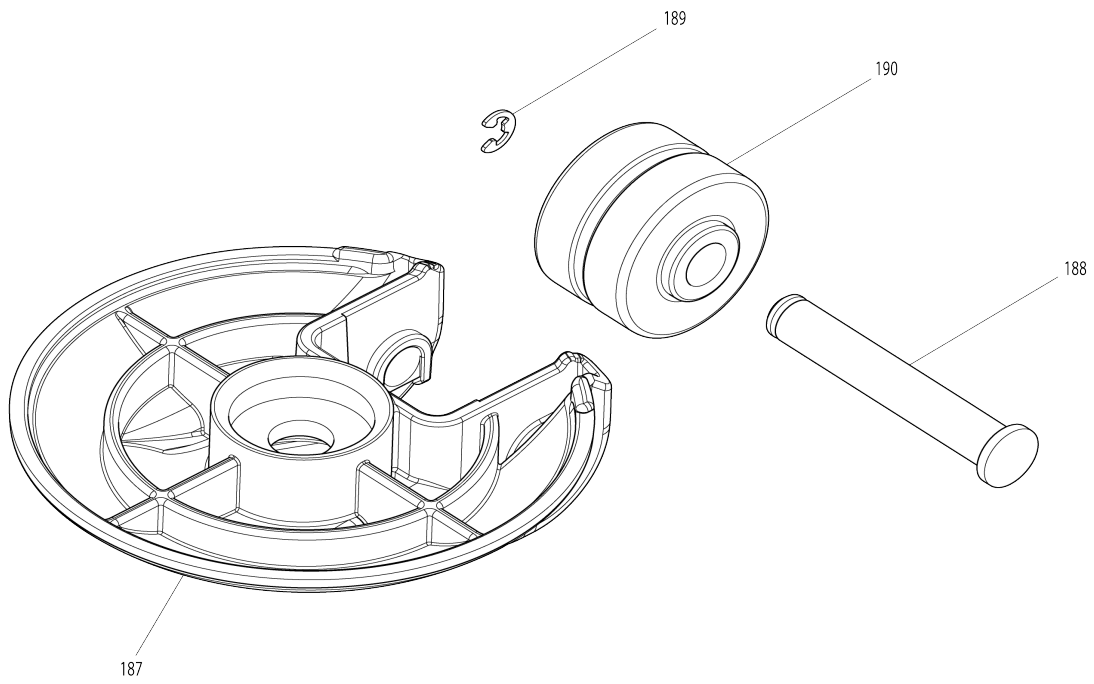
L



# Model No.DRC200 ROBOTIC CLEANER

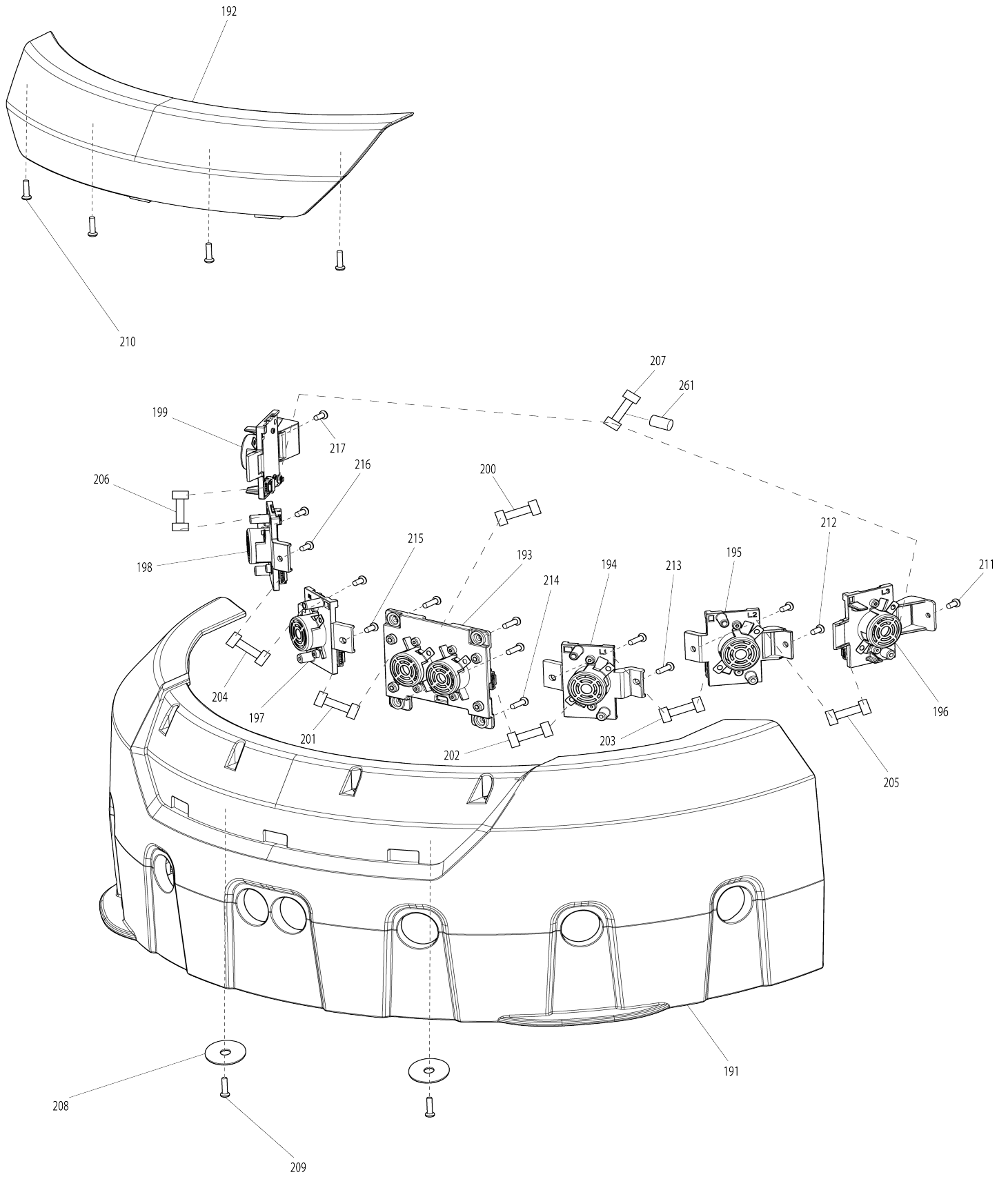


Model No.DRC200 ROBOTIC CLEANER

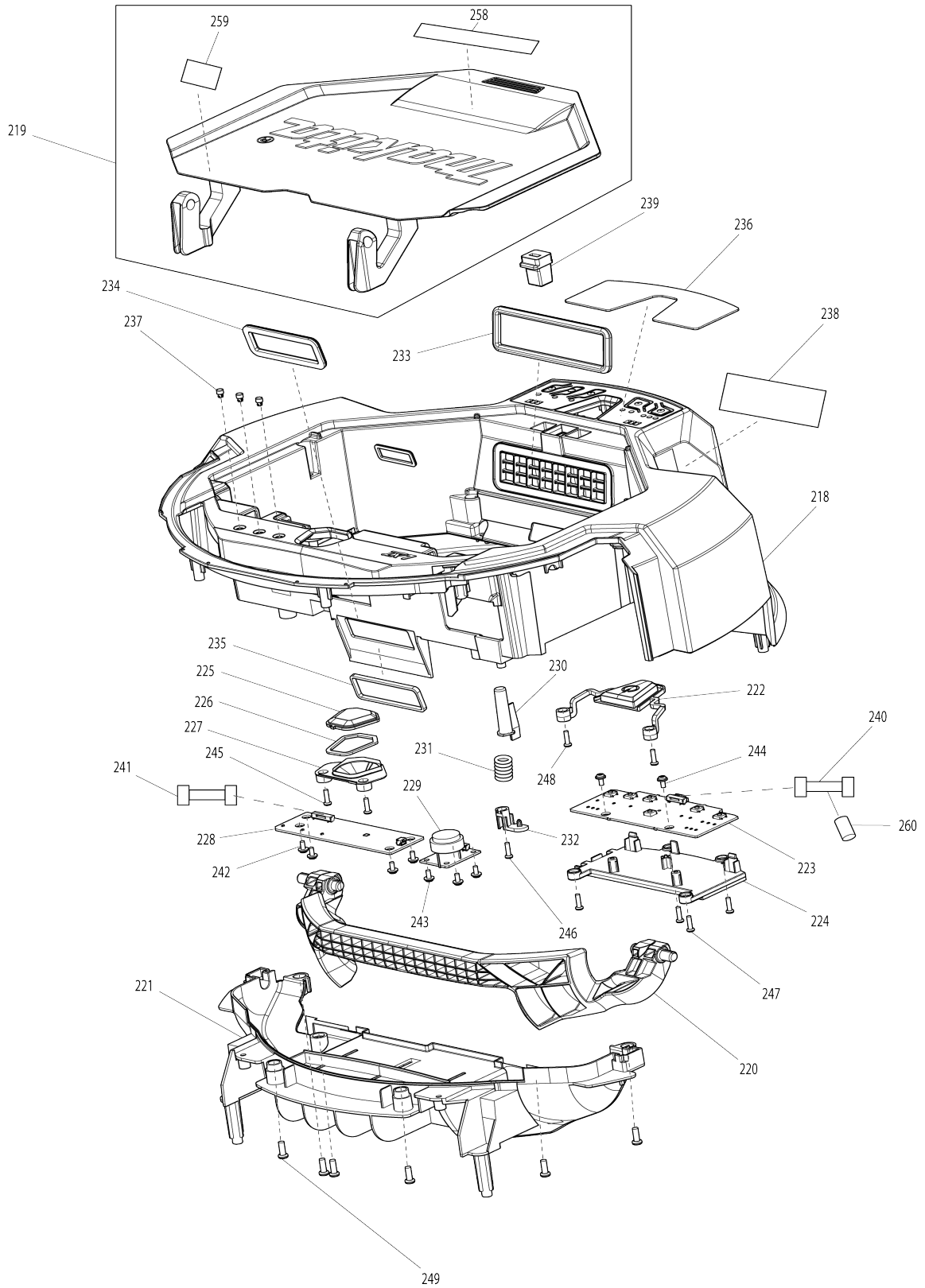




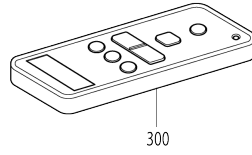
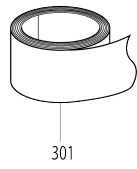
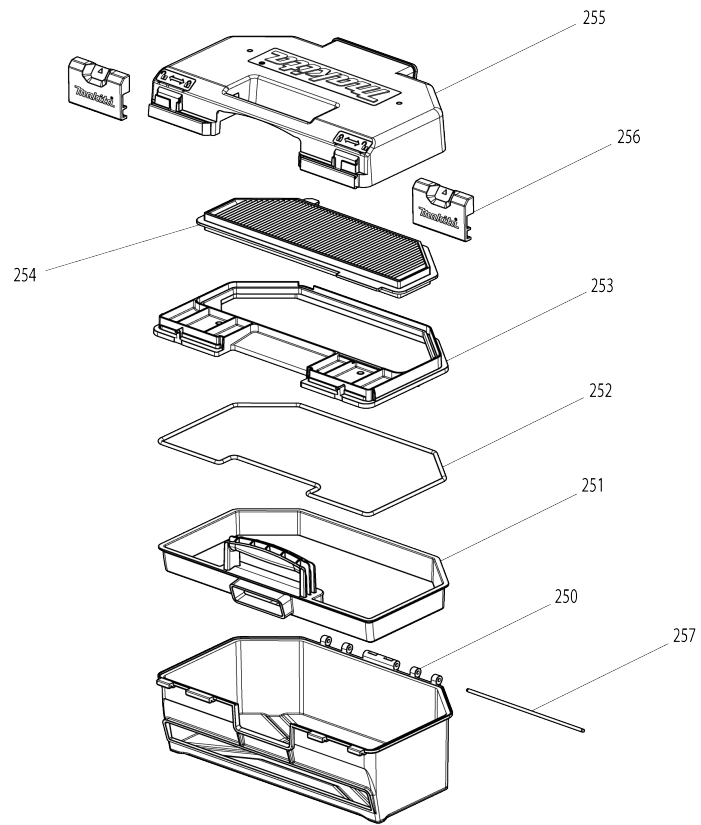
# Model No.DRC200 ROBOTIC CLEANER



# Model No.DRC200 ROBOTIC CLEANER



# Model No.DRC200 ROBOTIC CLEANER



# Model No.DRC200 ROBOTIC CLEANER

Bản vẽ	Mã Phụ tùng	Mô tả	Tương ứng với	Số lượng	Cũ/ Mới	Ghi chú 1	Ghi chú 2
001	SH00000063	MAIN BRUSH ASSY		1	*		
001-1	SH00000313	ROTATION BRUSH	<	1			
002	SH00000064	BOTTOM PLATE ASSY		1	*		
002-1	SH00000314	ROTATION BRUSH COVER	<	1			
003	SH00000065	SIDE BRUSH ASSY 2PCS		1			
004	SH00000066	FW COVER		1			
005	SH00000067	CABLE COVER R		1	*		
005-1	SH00000267	CABLE COVER R	<	1			
006	SH00000068	CABLE COVER L		1	*		
006-1	SH00000268	CABLE COVER	<	1			
007	SH00000069	SCREW(M4X8 MACHIN)		4			
008	SH00000070	SB SCREW ASSY 2PCS		1			
009	SH00000071	SCREW(M3X10)		2			
010	SH00000071	SCREW(M3X10)		1			
011	SH00000221	SCREW(M4X16)		6			
012	SH00000221	SCREW(M4X16)		10			
013	SH00000072	LOWER BODY ASSY		1	*		
013-1	SH00000315	LOWER BODY ASSY	<	1			
014	SH00000073	CONTROL PWB ASSY		1	*		
014-1	SH00000291	CONTROL PWB ASSY	<	1			
015	SH00000241	RF MODULE		1	*		
015-1	SH00000305	RF MODULE	<	1			
016	SH00000075	RF HOLDER		1			
017	SH00000076	CONTROL HOLDER ASSY		1	*		
017		INC. 51,52			*		
017-1	SH00000287	CONTROL HOLDER ASSY	O	1			
017-1		INC. 51,52					
018	SH00000078	AS PWB ASSY		1	*		
018-1	SH00000293	AS PWB ASSY	<	1			
019	SH00000079	BATTERY PWB ASSY		1	*		
019-1	SH00000294	BATTERY PWB ASSY	<	1			
020	SH00000080	INSULATING SHEET		1			
021	SH00000081	TERMINAL HOLDER L		1			
022	SH00000082	TERMINAL HOLDER R		1			
023	SH00000083	RUBBER PIN		2			
024	SH00000083	RUBBER PIN		2			
025	SH00000084	FRONT ROLLER SHAFT		1			
026	SH00000085	FRONT ROLLER ASSY		1	*		
026-1	SH00000457	FRONT ROLLER ASSY	<	1			
027	SH00000086	IR SENSOR C ASSY		1	*		
027-1	SH00000278	IR SENSOR C ASSY	<	1	*		
027-2	SH00000303	IR SENSOR C ASSY	<	1			
C10	SH00000307	TAPPING BUSH		2			
C20	SH00000308	IR HOLDER CK		1			
028	SH00000086	IR SENSOR C ASSY		1	*		
028-1	SH00000278	IR SENSOR C ASSY	<	1	*		
028-2	SH00000303	IR SENSOR C ASSY	<	1			
C10	SH00000307	TAPPING BUSH		2			

C20	SH00000308	IR HOLDER CK		1		
029	SH00000087	IR SENSOR S ASSY		1	*	
029-1	SH00000279	IR SENSOR S ASSY	<	1	*	
029-2	SH00000304	IR SENSOR S ASSY	<	1		
C10	SH00000307	TAPPING BUSH		2		
C20	SH00000309	IR HOLDER SK		1		
030	SH00000087	IR SENSOR S ASSY		1	*	
030-1	SH00000279	IR SENSOR S ASSY	<	1	*	
030-2	SH00000304	IR SENSOR S ASSY	<	1		
C10	SH00000307	TAPPING BUSH		2		
C20	SH00000309	IR HOLDER SK		1		
031	SH00000088	BL SENSOR ASSY		1	*	
031-1	SH00000280	BL SENSOR ASSY	<	1		
032	SH00000222	SENSOR LENS SHEET		2	*	
033	SH00000222	SENSOR LENS SHEET		1	*	
035	SH00000222	SENSOR LENS SHEET		1	*	
036	SH00000222	SENSOR LENS SHEET		1	*	
037	SH00000222	SENSOR LENS SHEET		1	*	
038	SH00000089	WEIGHT PLATE		2		
039	SH00000090	BUMPER ANGLE L		1		
040	SH00000091	BUMPER ANGLE R		1	*	
040-1	SH00000277	BUMPER ANGLE R	O	1		
041	SH00000092	BUMPER SPRING		1		
042	SH00000092	BUMPER SPRING		1		
043	SH00000093	SB UNIT L ASSY		1		
043		INC. 101-110,112				
044	SH00000094	SB UNIT R ASSY		1		
044		INC. 114-123,125				
045	SH00000095	PB SUPPORT S ASSY		1	*	
045		INC. 127-138,140			*	
045-1	SH00000316	PB SUPPORT SK ASSY	<	1		
045-1		INC. 127-138,140				
046	SH00000096	MAIN WHEEL L ASSY		1	*	
046		INC. 141,142,145,156,157			*	
046-1	SH00000458	MAIN WHEEL L ASSY	<	1		
046-1		INC. 141,142,145,156,157				
047	SH00000097	MAIN WHEEL R ASSY		1	*	
047		INC. 160,161,164,175,176			*	
047-1	SH00000288	MAIN WHEEL R ASSY	O	1	*	
047-1		INC. 160,161,164,175,176			*	
047-2	SH00000459	MAIN WHEEL R ASSY	<	1		
047-2		INC. 160,161,164,175,176				
048	SH00000098	WHEEL SPRING		1		
049	SH00000098	WHEEL SPRING		1		
050	SH00000099	AIR DUCT UNIT ASSY		1		
050		INC. 178-186				
051	SH00000101	BUMPER SW CABLE		1		
052	SH00000101	BUMPER SW CABLE		1		
053	SH00000223	COOLING FAN S ASSY		1		
054	SH00000224	COOLING FAN SEAL		2		
055	SH00000104	BATTERY CABLE L		1		
056	SH00000105	BATTERY CABLE R		1		

057	SH00000106	BATTERY PS CABLE		1			
058	SH00000107	BATTERY SIGNAL CABLE		1			
059	SH00000108	BATTERY EARTH CABLE		1			
060	SH00000109	AS CABLE		1			
061	SH00000242	CLIFF SENSOR CABLE L		1			
062	SH00000243	CLIFF SENSOR CABLE R		1			
063	SH00000110	SCREW(M3X8XWASHER8)		5			
064	SH00000110	SCREW(M3X8XWASHER8)		3			
065	SH00000110	SCREW(M3X8XWASHER8)		3			
066	SH00000111	SCREW(M4X10)		3			
067	SH00000111	SCREW(M4X10)		2			
068	SH00000111	SCREW(M4X10)		2			
069	SH00000111	SCREW(M4X10)		2			
070	SH00000111	SCREW(M4X10)		1			
071	SH00000111	SCREW(M4X10)		1			
072	SH00000111	SCREW(M4X10)		1			
073	SH00000111	SCREW(M4X10)		3			
074	SH00000111	SCREW(M4X10)		3			
075	SH00000111	SCREW(M4X10)		2			
076	SH00000111	SCREW(M4X10)		3			
077	SH00000111	SCREW(M4X10)		2			
078	SH00000111	SCREW(M4X10)		3			
079	SH00000111	SCREW(M4X10)		4			
080	SH00000111	SCREW(M4X10)		2			
081	SH00000111	SCREW(M4X10)		2			
082	SH00000111	SCREW(M4X10)		4			
083	SH00000111	SCREW(M4X10)		4			
084	SH00000112	WASHER(4.5X13XT1)		2			
085	SH00000113	SCREW(M5X10XWASHER16)		2			
086	643899-6	Thiết bị đầu cuối		1	*		
086-1	643523-1	Thiết bị đầu cuối	<	1			
087	643899-6	Thiết bị đầu cuối		1	*		
087-1	643523-1	Thiết bị đầu cuối	<	1			
088	SH00000226	PC WASHER		2			
089	SH00000236	SENSOR LENZ SEAL		1	*		
090	SH00000236	SENSOR LENZ SEAL		1	*		
091	SH00000236	SENSOR LENZ SEAL		1	*		
092	SH00000236	SENSOR LENZ SEAL		1	*		
093	SH00000236	SENSOR LENZ SEAL		1	*		
094	SH00000236	SENSOR LENZ SEAL		1	*		
095	SH00000244	FERRITE CORE		4			
101	SH00000114	MOTOR S ASSY		1			
102	SH00000115	SB MOTOR HOLDER L		1			
103	SH00000116	SB MOTOR COVER		1			
104	SH00000117	SB METAL		1			
105	SH00000118	SB GEAR 4 ASSY		1			
106	SH00000119	SB GEAR 3		1			
107	SH00000120	SB GEAR 2		1			
108	SH00000121	COMMON SHAFT 1		1			
109	SH00000122	SB GEAR SHAFT 1		2			
110	SH00000123	SCREW(M2.6X4 MACHINE)		2			

111	SH00000124	SIDE BRUSH CABLE		1		
112	SH00000071	SCREW(M3X10)		3		
113	SH00000227	MOTOR SEAL		1		
114	SH00000114	MOTOR S ASSY		1		
115	SH00000125	SB MOTOR HOLDER R		1		
116	SH00000116	SB MOTOR COVER		1		
117	SH00000117	SB METAL		1		
118	SH00000120	SB GEAR 2		1		
119	SH00000119	SB GEAR 3		1		
120	SH00000118	SB GEAR 4 ASSY		1		
121	SH00000121	COMMON SHAFT 1		1		
122	SH00000122	SB GEAR SHAFT 1		2		
123	SH00000123	SCREW(M2.6X4 MACHINE)		2		
124	SH00000124	SIDE BRUSH CABLE		1		
125	SH00000071	SCREW(M3X10)		3		
126	SH00000227	MOTOR SEAL		1		
127	SH00000126	PB MOTOR D ASSY		1	*	
127-1	SH00000317	PB MOTOR DK ASSY	<	1		
128	SH00000127	PB SUPPORT COVER K		1		
129	SH00000129	PB BELT GEAR 2		1		
130	SH00000130	BELT GEAR SHAFT		1		
131	SH00000131	PB BELT GEAR 3		1		
132	SH00000132	PB HOLDER ASSY		1	*	
132-1	SH00000318	PB HOLDER K ASSY	<	1		
133	SH00000133	BEARING		1		
134	SH00000133	BEARING		1		
135	SH00000134	P WASHER 050		1		
136	SH00000134	P WASHER 050		1		
137-1	SH00000228	E RING		1		
138	SH00000136	TIMING BELT		1		
139	SH00000137	PB MOTOR CABLE		1		
140	SH00000071	SCREW(M3X10)		2		
141	SH00000139	MAIN WHEEL L UNIT		1	*	
141		INC. 143,144,146-155,158			*	
141-1	SH00000460	MAIN WHEEL L UNIT	<	1		
141-1		INC. 143,144,146-155,158				
142	SH00000152	MAIN WHEEL SHAFT		1		
143	SH00000071	SCREW(M3X10)		5		
144	SH00000229	SCREW(M3X10)		4		
145	SH00000227	MOTOR SEAL		1		
146	SH00000150	WHEEL L ASSY		1	*	
146-1	SH00000461	WHEEL L ASSY	<	1		
147	SH00000140	WHEEL GEAR BOX L		1		
148	SH00000141	WHEEL GEAR COVER L		1		
149	SH00000142	MW MOTOR S ASSY		1		
150	SH00000143	WHEEL METAL RING		1		
151	SH00000144	WHEEL GEAR 2		1		
152	SH00000145	WHEEL GEAR 3		1		
153	SH00000146	WHEEL GEAR 4		1		
154	SH00000147	WHEEL GEAR 5		1		
155	SH00000148	WHEEL GEAR SHAFT 1		4		
156	SH00000151	WHEEL L UNIT COVER		1		

157	SH00000153	WHEEL CABLE		1		
158	SH00000123	SCREW(M2.6X4 MACHINE)		2		
160	SH00000154	MAIN WHEEL R UNIT		1	*	
160		INC. 162,163,165-174,177			*	
160-1	SH00000462	MAIN WHEEL R UNIT	<	1		
160-1		INC. 162,163,165-174,177				
161	SH00000152	MAIN WHEEL SHAFT		1		
162	SH00000071	SCREW(M3X10)		5		
163	SH00000229	SCREW(M3X10)		4		
164	SH00000227	MOTOR SEAL		1		
165	SH00000157	WHEEL R ASSY		1	*	
165-1	SH00000463	WHEEL R ASSY	<	1		
166	SH00000155	WHEEL GEAR BOX R		1		
167	SH00000156	WHEEL GEAR COVER R		1		
168	SH00000142	MW MOTOR S ASSY		1		
169	SH00000143	WHEEL METAL RING		1		
170	SH00000144	WHEEL GEAR 2		1		
171	SH00000145	WHEEL GEAR 3		1		
172	SH00000146	WHEEL GEAR 4		1		
173	SH00000147	WHEEL GEAR 5		1		
174	SH00000148	WHEEL GEAR SHAFT 1		4		
175	SH00000158	WHEEL R UNIT COVER		1	*	
175-1	SH00000289	WHEEL R UNIT COVER	O	1		
176	SH00000153	WHEEL CABLE		1		
177	SH00000123	SCREW(M2.6X4 MACHINE)		2		
178	SH00000159	AIR DUCT FRONT		1		
179	SH00000160	AIR DUCT REAR		1		
180	SH00000161	FAN MOTOR UNIT ASSY		1		
181	SH00000162	FAN CUSHION		1		
182	SH00000077	PHOTO SENSOR		1		
183	SH00000163	INTAKE SEAL		1		
184	SH00000164	CUP SENSOR CABLE		1		
185	SH00000165	FAN MOTOR CABLE		1		
186	SH00000111	SCREW(M4X10)		4		
187	SH00000166	REAR CASTER FRAME		2		
188	SH00000167	REAR CASTER SHAFT		2		
189	SH00000135	U RING		2		
190	SH00000168	CASTER ASSY		2	*	
190-1	SH00000464	CASTER ASSY	<	2		
191	SH00000169	BUMPER		1		
192	SH00000170	BUMPER DECO		1		
193	SH00000171	US HOLDER C ASSY		1	*	
193-1	SH00000295	US HOLDER C ASSY	<	1		
194	SH00000172	US HOLDER L1 ASSY		1	*	
194-1	SH00000296	US HOLDER L1 ASSY	<	1		
195	SH00000173	US HOLDER L2 ASSY		1	*	
195-1	SH00000297	US HOLDER L2 ASSY	<	1		
196	SH00000174	US HOLDER L3 ASSY		1	*	
196-1	SH00000298	US HOLDER L3 ASSY	<	1		
197	SH00000175	US HOLDER R1 ASSY		1	*	
197-1	SH00000299	US HOLDER R1 ASSY	<	1		



198	SH00000176	US HOLDER R2 ASSY		1	*		
198-1	SH00000300	US HOLDER R2 ASSY	<	1			
199	SH00000177	US HOLDER R3 ASSY		1	*		
199-1	SH00000301	US HOLDER R3 ASSY	<	1			
200	SH00000245	US CABLE C		1			
201	SH00000179	US CABLE 1		1			
202	SH00000179	US CABLE 1		1			
203	SH00000180	US CABLE 2		1			
204	SH00000180	US CABLE 2		1			
205	SH00000181	US CABLE 3		1			
206	SH00000181	US CABLE 3		1			
207	SH00000182	US EARTH CABLE		1			
208	SH00000183	WASHER(4.5/25/T1)		2			
209	SH00000111	SCREW(M4X10)		2			
210-1	SH00000184	SCREW(M3X6)		4			
211	SH00000184	SCREW(M3X6)		1			
212	SH00000184	SCREW(M3X6)		2			
213	SH00000184	SCREW(M3X6)		2			
214	SH00000184	SCREW(M3X6)		4			
215	SH00000184	SCREW(M3X6)		2			
216	SH00000184	SCREW(M3X6)		2			
217	SH00000184	SCREW(M3X6)		1			
218	SH00000185	UPPER BODY		1			
219	SH00000247	CASE COVER K		1			
220	SH00000187	HANDLE		1			
221	SH00000188	HANDLE COVER		1	*		
221-1	SH00000269	HANDLE COVER	<	1			
222	SH00000189	UI BUTTON		1			
223	SH00000190	UI PWB ASSY		1	*		
223-1	SH00000302	UI PWB ASSY	<	1			
224	SH00000191	UI PWB HOLDER		1			
225	SH00000192	LED LENS L		1			
226	SH00000193	LED LENS SEAL		1			
227	SH00000194	LED REFLECTOR		1			
228	SH00000195	LED PWB ASSY		1			
229	SH00000196	BUZZER PWB ASSY		1			
230	SH00000197	FILTER BUTTON		1	*		
230-1	SH00000270	FILTER BUTTON	O	1			
231	SH00000198	FILTER BUTTON SP		1			
232	SH00000199	FILTER BUTTON HOLDER		1	*		
232-1	SH00000271	FILTER BUTTON HOLDER	O	1			
233	SH00000200	INTAKE PACKING		1			
234	SH00000201	NOZZLE PACKING		1			
235	SH00000202	NOZZLE SEAL		1			
236	SH00000248	UI KEY SHEET		1			
237	SH00000204	LED LENS S		3			
238	SH00000205	EXHAUST FILTER ASSY		1			
239	SH00000206	CATCH LATCH		1			
240	SH00000249	UI CABLE		1			
241	SH00000208	LED CABLE		1			
242	SH00000110	SCREW(M3X8XWASHER8)		4			
243	SH00000110	SCREW(M3X8XWASHER8)		3			

244	SH00000110	SCREW(M3X8XWASHER8)		2			
245	SH00000184	SCREW(M3X6)		2			
246	SH00000071	SCREW(M3X10)		1			
247	SH00000071	SCREW(M3X10)		4			
248	SH00000071	SCREW(M3X10)		2			
249	SH00000111	SCREW(M4X10)		6			
250	SH00000209	DUST BOX LOWER		1			
251	SH00000210	DUST CASE		1			
252	SH00000211	DUST SEAL RING		1			
253	SH00000212	DUST BOX UPPER		1			
254	SH00000213	FILTER UNIT'S ASSY		1			
255	SH00000214	DUST BOX COVER		1			
256	SH00000215	DUST SLIDE LEVER		2			
257	SH00000216	DUST BOX PIN		1			
258	SH00000252	CAUTION LABEL		1			
259	SH00000253	ROBOPRO LABEL		1			
260	SH00000244	FERRITE CORE		1			
261	SH00000244	FERRITE CORE		1			
300	SH00000237	RF CONTROLLER ASSY		1			
301	SH00000240	SENSOR WALL TAPE US AU		1			
302	SH00000281	BL SENSOR SEAL		2			
304	SH00000407	TAPPING SCREW M3X16		2			