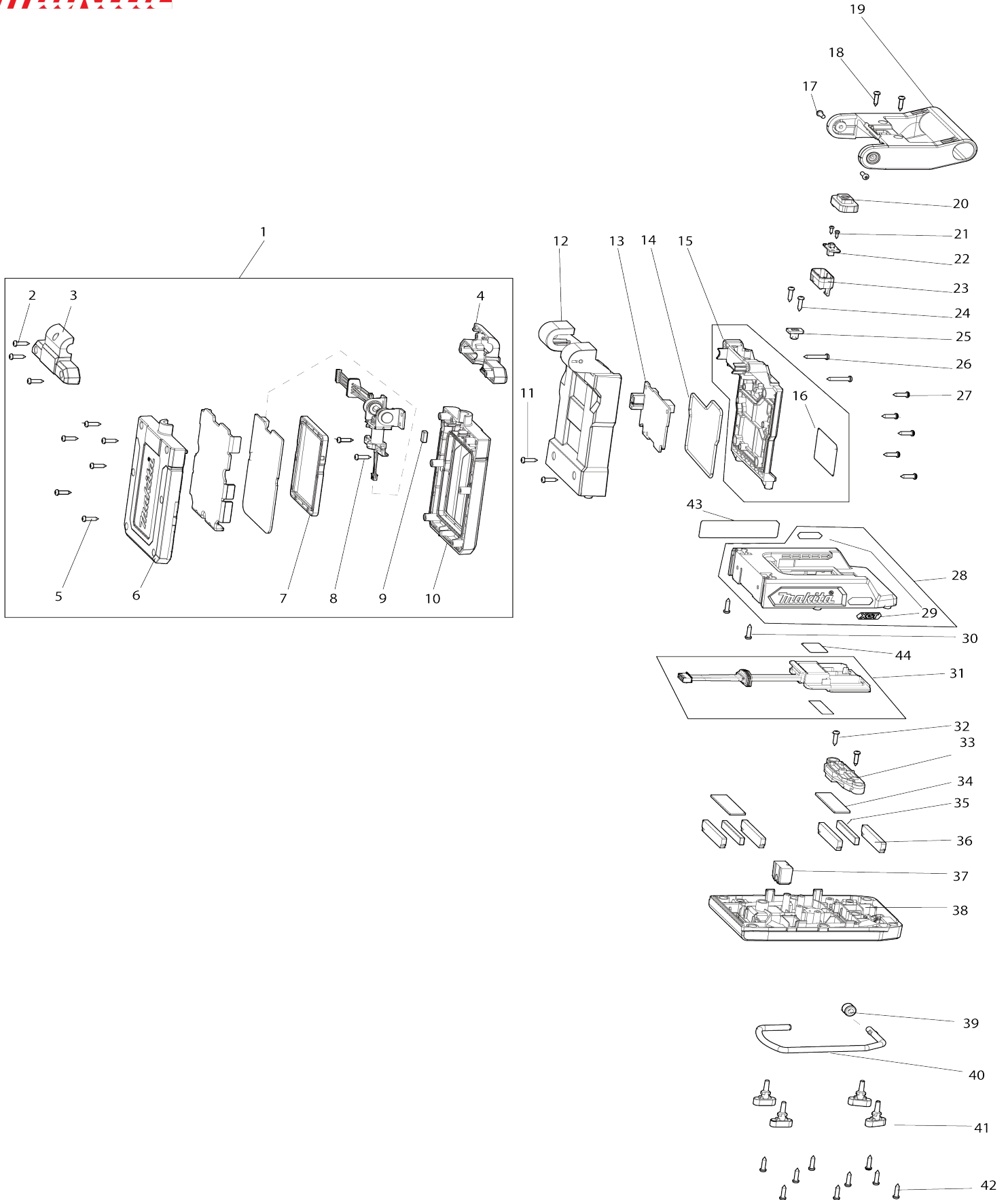


Model No.ML013G Đèn Từ Tính Cầm Tay Hoạt Động Bằng Pin



Model No.ML013G Đèn Từ Tính Cầm Tay Hoạt Động Bằng Pin

Bản vẽ	Mã Phụ tùng	Mô tả	Tương ứng với	Số lượng	Cũ/ Mới	Giá bán (VND)	Giá nhập (VND)	Ghi chú 1	Ghi chú 2
001	TD00000150	LIGHT ASSY 36V		1					
001		INC. 2-10							
002	TD00000168	TAPPING SCREW 3X12		3					
003	TD00000169	REAR HINGE COVER		1					
004	TD00000170	FRONT HINGE COVER		1					
005	TD00000168	TAPPING SCREW 3X12		6					
006	TD00000174	LIGHT HOUSING REAR		1					
007	TD00000175	REFLECTOR		1					
008	TD00000168	TAPPING SCREW 3X12		2					
009	TD00000176	HOLD MAGNET		1					
010	TD00000177	LIGHT HOUSING WITH LENZ		1					
011	TD00000168	TAPPING SCREW 3X12		2					
012	TD00000178	PCB HOUSING		1					
013	TD00000153	CONTROLLER PCB 36V		1					
014	TD00000180	WATERPROOF RING		1					
015	TD00000207	REAR PCB HOUSING		1					
015		INC. 16							
016	TD00000159	CAUTION LABEL US		1	*				
016-1	TD00000208	CAUTION LABEL	X	1					
017	TD00000183	TAPPING SCREW 3X9		2					
018	TD00000168	TAPPING SCREW 3X12		2					
019	TD00000184	HANDLE		1					
020	TD00000185	SWITCH COVER		1					
021	TD00000186	TAPPING SCREW 2X6		2					
022	TD00000187	SWITCH PCB		1					
023	TD00000188	SWITCH HOUSING		1					
024	TD00000168	TAPPING SCREW 3X12		2					
025	TD00000189	RUBBER SLEEVE		1					
026	TD00000190	TAPPING SCREW 3X20		2					
027	TD00000168	TAPPING SCREW 3X12		5					
028	TD00000155	BATTERY TERMINAL HOUSING UPPER		1					
028		INC. 29							
029	TD00000156	XGT LABEL		2	*				
029-1	TD00000218	XGT LABEL	X	2					
030	TD00000168	TAPPING SCREW 3X12		2					
031	TD00000157	BATTERY TERMINAL ASSY XGT		1					
032	TD00000168	TAPPING SCREW 3X12		2					
033	TD00000195	MAGNET FIX PLATE		1					
034	TD00000196	SPONGE SHEET		2					
035	TD00000197	FIXED MAGNET		2					
036	TD00000198	YOKE PLATE		4					
037	TD00000199	HOOK HOLDER BLOCK		1					
038	TD00000200	BATTERY TERMINAL HOUSING LOWER		1					
039	TD00000201	RETAINING RUBBER RING FOR HOOK		1					
040	TD00000202	HOOK		1					
041	TD00000203	RUBBER FEET		4					

042	TD00000168	TAPPING SCREW 3X12		9					
043	TD00000162	NAMEPLATE US		1	*				
043-1	TD00000160	NAMEPLATE EU AU RU	X	1					
044	TD00000163	SERIAL NUMBER LABEL		1					
A01	TD00000204	MAGNETIC SHIELDING COVER		1					
F01	TD00000167	WISE ADAPTER		1					
F02	GM00001396	WISE		1					