

Micrometer



Dial Snap Meters SERIES 523

- The snap meter with a built-in dial indicator enables accurate Go/No-go judgement without interruption. Pushing the retractable anvil button causes the anvil and pointer to move, enabling speedy measurements.
- Designed for use with a stand to enable a more stable measurement.
- Greatly improved accuracy: indication accuracy and graduation of 1 μm .
- IP protection level: 54, coolant-splash resistant during grinding process.
- Hard-coated crystal: enhanced oil and scratch resistance.



523-121

Measurement example

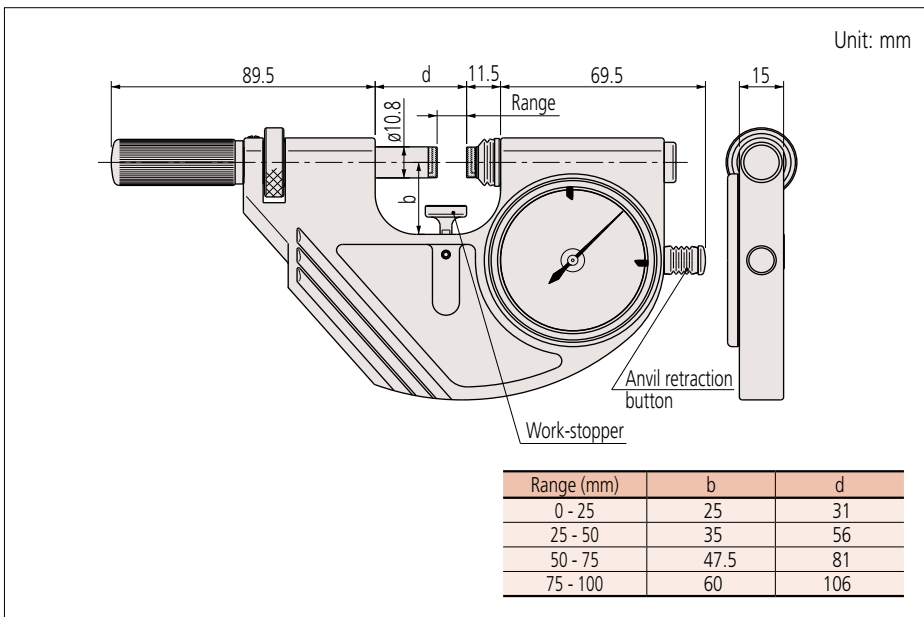


SPECIFICATIONS

Metric									
Code No.	Range (mm)	Dial graduation (mm)	Measuring force (N)	Flatness (μm)	Parallelism (μm)	Dispersion of indication (μm)	Dial indication accuracy (μm)	Indicating range (mm)	Mass (g)
523-121	0 - 25	0.001	5 - 10	0.3	0.6	0.4	1	± 0.06	740
523-122	25 - 50				840				
523-123	50 - 75				950				
523-124	75 - 100				1080				

Inch									
Code No.	Range (in)	Dial graduation (in)	Measuring force (N)	Flatness (in)	Parallelism (in)	Dispersion of indication (in)	Dial indication accuracy (in)	Indicating range (in)	Mass (g)
523-131	0 - 1	0.00005	5 - 10	0.000012	0.000024	0.00002	0.00005	± 0.0023	740
523-132	1 - 2				840				
523-133	2 - 3				950				
523-134	3 - 4				1080				

DIMENSIONS



Tài liệu được tổng hợp bởi đội ngũ kỹ thuật của NPOWER
Bản quyền nội dung thuộc về Mitutoyo

Powered by NAVITECH | www.navitech.co
www.npower.com.vn