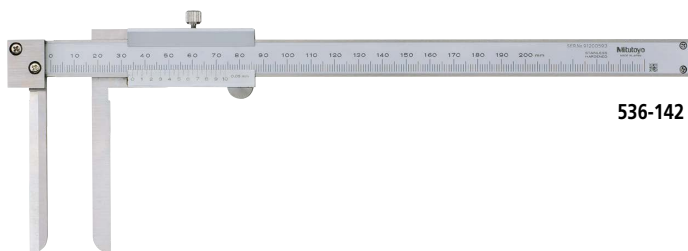


Calipers

Inside Vernier Caliper SERIES 536 — Knife-edge/Inside Groove/Point Jaw Type

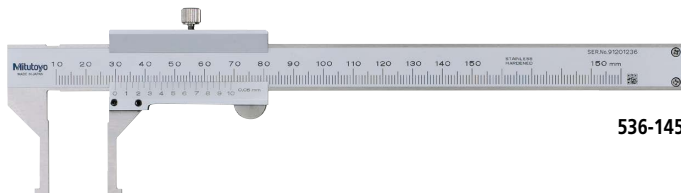
- Specially designed for inside measurement. Select the right model for your workpiece shape.

Knife-edge type



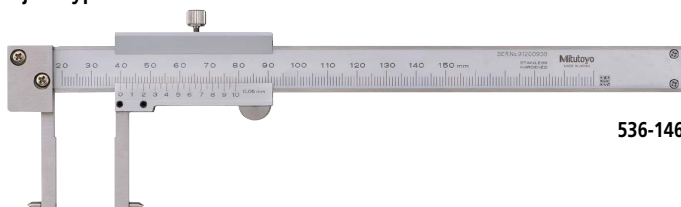
536-142

Inside groove type



536-145

Point jaw type



536-146

SPECIFICATIONS

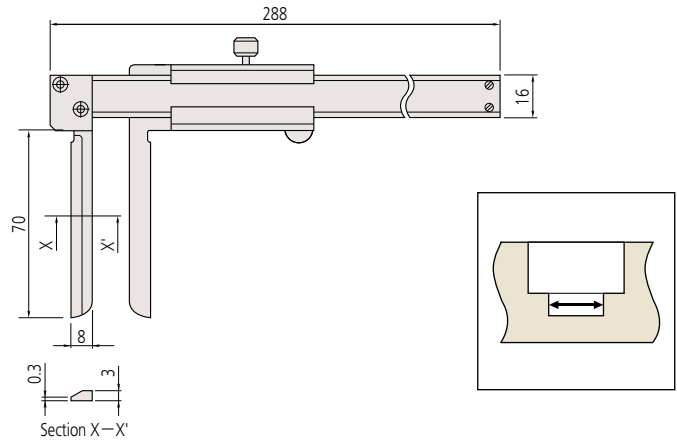
Metric		Analog model			
Code No.	Range (mm)	Graduation (mm)	Maximum permissible error (mm)*		Remarks
			E_{MPE}	S_{MPE}	
536-142	10 - 200	0.05	/	±0.12	Knife-edge type, Measurable min.
536-145	10.1 - 150			±0.05	Inside groove type, Measurable min.
536-146	20.1 - 150			±0.08	Point jaw type, Measurable min.
536-147	30.1 - 300			±0.10	Point jaw type, Measurable min.
536-148	70.1 - 450			±0.12	Point jaw type, Measurable min.
536-149	70.1 - 600			±0.12	Point jaw type, Measurable min.

* The Partial Surface Contact Error (E_{MPE}) and Shift Error (S_{MPE}) are terms defined by ISO 13385-1:2019.

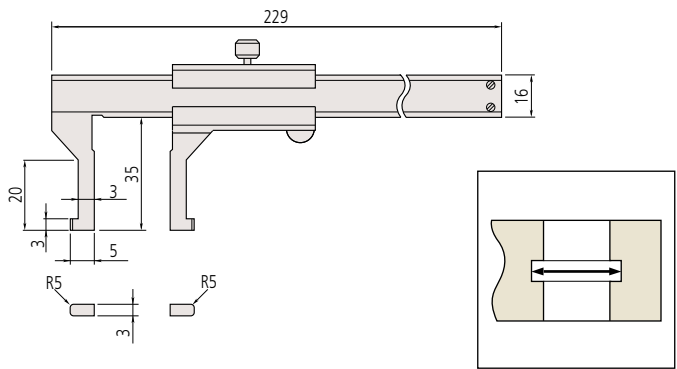
DIMENSIONS

Unit: mm

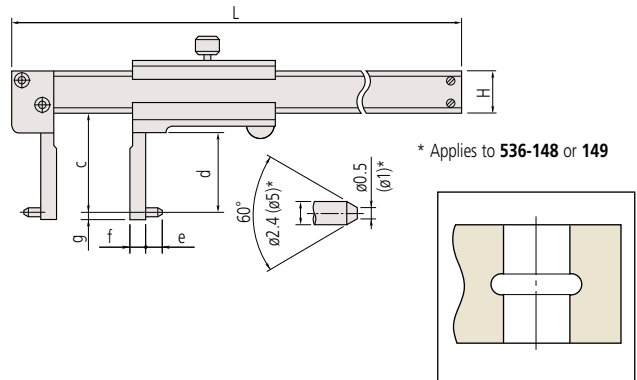
Knife-edge type: 536-142



Inside groove type: 536-145



Point jaw type: 536-146, 147, 148, 149



* Applies to 536-148 or 149

Range (mm)	c	d	e	f	g	H	L
150	38	31	5	5	2	16	229
300	98	89		10		20	403
450	145	136	10	25	5	25	610
600							750

Note: Models with a measuring range of more than 300 mm have slightly different appearance. For details, contact our Customer Support Center.



Tài liệu được tổng hợp bởi đội ngũ kỹ thuật của **NPOWER**
Bản quyền nội dung thuộc về **Mitutoyo**

Powered by **NAVITECH** | www.navitech.co

www.npower.com.vn