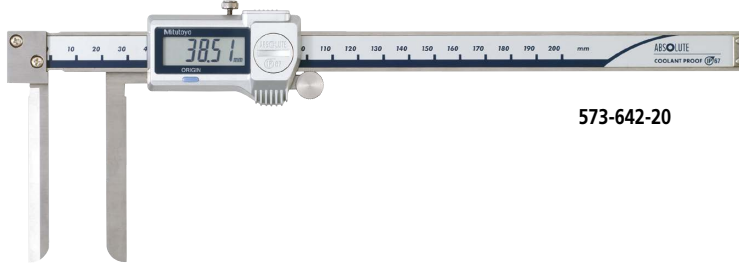


## Calipers

### ABSOLUTE Digimatic Inside Caliper SERIES 573 — Knife-edge/Inside Groove/Point Jaw Type

- Specially designed for inside measurements. Select the right model for your workpiece shape.

#### Knife-edge type



573-642-20

#### Inside groove type



573-645-20

#### Point jaw type



573-646-20

## SPECIFICATIONS

Metric		Digimatic model			
Code No.	Range (mm)	Resolution (mm)	Maximum permissible error (mm) <sup>*3</sup>		Remarks
			EMPE	SMPE	
573-642-20	10 - 200	0.01	/	±0.05	Knife-edge type, Measurable min.
573-643-20 <sup>*1</sup>	10 - 200				Knife-edge type, Measurable min.
573-645-20 <sup>*2</sup>	10.1 - 160				Inside groove type, Measurable min.
573-647-20 <sup>*1</sup>	10.1 - 160			Inside groove type, Measurable min.	
573-646-20 <sup>*2</sup>	20.1 - 170			±0.03	Point jaw type, Measurable min.
573-648-20 <sup>*1</sup>	20.1 - 170				Point jaw type, Measurable min.

Inch / Metric		Digimatic model			
Code No.	Range	Resolution	Maximum permissible error <sup>*3</sup>		Remarks
			EMPE	SMPE	
573-742-20	0.4 - 8 in/ 10 - 200 mm	0.0005 in/ 0.01 mm	/	±0.002 in/ ±0.05 mm	Knife-edge type, Measurable min.
573-745-20 <sup>*2</sup>	0.404 - 6.4 in/ 10.26 - 160.16 mm				Inside groove type, Measurable min.
573-746-20 <sup>*2</sup>	0.804 - 6.8 in/ 20.42 - 170.32 mm			±0.0015 in/ ±0.03 mm	Point jaw type, Measurable min.

- Dust/Water protection level: IP67 (IEC 60529)<sup>\*4</sup>
- Power source: SR44 battery (1 pc.), **938882** included as standard (for operational checks)
- Battery life: Approx. 5 years under normal use
- Position detection method: ABSOLUTE electromagnetic induction linear encoder
- Response speed: Unlimited
- \*1 Without thumb roller
- \*2 Includes the offsetting function, which indicates the actual measurement value.
- \*3 The Partial Surface Contact Error (EMPE) and Shift Error (SMPE) are terms defined by ISO 13385-1:2019.
- \*4 Rustproofing shall be applied after use if caliper was in contact with coolant.

MeasurLink<sup>®</sup> ENABLED Data Management Software by Mitutoyo **U-WAVE fit**

ABSOLUTE™

IP67

TÜV Rheinland  
CERTIFIED  
Dust- and  
Water-  
Protected  
www.tuv.com  
ID 0000645042

#### Measurement example



#### Optional Accessories

Code No.	Type	Description
264-020	—	USB Input Tool Series USB Keyboard Signal Conversion Type <b>IT-020U</b>
05CZA624	A	Connection cable for <b>IT/DP/MUX</b> (1 m)
05CZA625	A	Connection cable for <b>IT/DP/MUX</b> (2 m)
06AFM380A	A	USB Input Tool Direct (2 m)
02AZD730G	IP67	<b>U-WAVE-T</b>
02AZD880G	Buzzer	<b>U-WAVE-T</b>
02AZE200	—	<b>U-WAVE-T</b> mounting bracket
02AZD790A	A	Connection cable for <b>U-WAVE-T</b> (160 mm)
02AZE140A	A	Connection cable for <b>U-WAVE-T</b> For foot switch
264-620	IP67	<b>U-WAVE-TC</b>
264-621	Buzzer	<b>U-WAVE-TC</b>
264-624	IP67	<b>U-WAVE-TCB</b>
264-625	Buzzer	<b>U-WAVE-TCB</b>
02AZF310	IP67	Connecting unit for <b>U-WAVE-TC/TCB</b>

Note: **U-WAVE-TC/TCB** cannot be used with Knife-edge Type (573-642-20, 573-643-20 and 573-742-20).

**NPOWER**  
Powered by  
Navitech

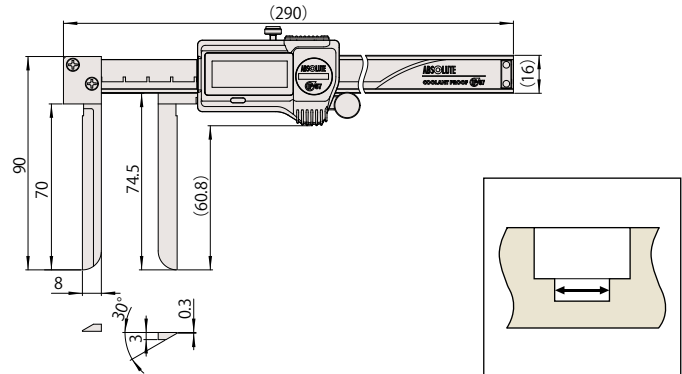
Tài liệu được tổng hợp bởi đội ngũ kỹ thuật của **NPOWER**  
Bản quyền nội dung thuộc về **Mitutoyo**

Powered by **NAVITECH** | www.navitech.co  
**www.npower.com.vn**

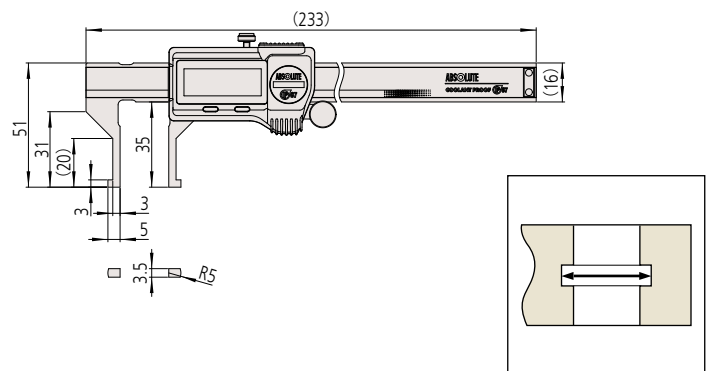
## DIMENSIONS

Unit: mm

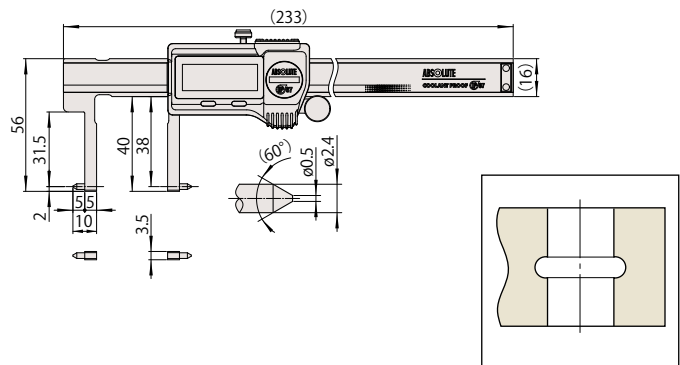
### Knife-edge type: 573-642-20, 573-643-20, 573-742-20



### Inside groove type: 573-645-20, 573-647-20, 573-745-20



### Point jaw type: 573-646-20, 573-648-20, 573-746-20



Tài liệu được tổng hợp bởi đội ngũ kỹ thuật của **NPOWER**  
Bản quyền nội dung thuộc về **Mitutoyo**

Powered by **NAVITECH** | [www.navitech.co](http://www.navitech.co)  
[www.npower.com.vn](http://www.npower.com.vn)