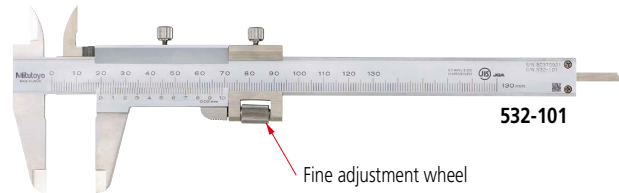


## Vernier Caliper SERIES 532 — with Fine Adjustment

ISO13385-1 compliant

- Fine-adjustment thumbwheel aids slider positioning.



### SPECIFICATIONS

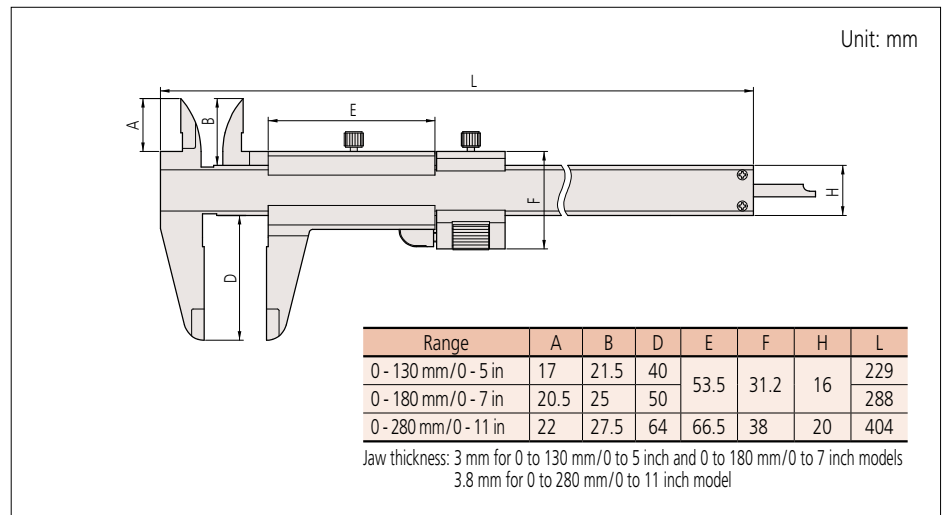
Metric						
Code No.	Range (mm)	Graduation (mm)	Maximum permissible error (mm)*		Depth bar	Remarks
			EMPE	SMPE		
532-101	0 - 130	0.02	±0.03	±0.05	Blade	with fine adjustment
532-102	0 - 180		±0.04	±0.06		
532-103	0 - 280					

Metric/Inch with metric/inch double scale						
Code No.	Range	Graduation	Maximum permissible error*		Depth bar	Remarks
			EMPE	SMPE		
532-119	0 - 130 mm/0 - 5 in	0.02 mm (0.001 in)	±0.03 mm/0.001 in	±0.05 mm/0.002 in	Blade	with fine adjustment
532-120	0 - 180 mm/0 - 7 in		±0.04 mm/0.0015 in	±0.06 mm/0.0025 in		
532-121	0 - 280 mm/0 - 11 in					

\* The Partial Surface Contact Error (EMPE) and Shift Error (SMPE) are terms defined by ISO 13385-1:2019.

### DIMENSIONS



Tài liệu được tổng hợp bởi đội ngũ kỹ thuật của NPOWER  
Bản quyền nội dung thuộc về Mitutoyo

Powered by NAVITECH | www.navitech.co  
www.npower.com.vn