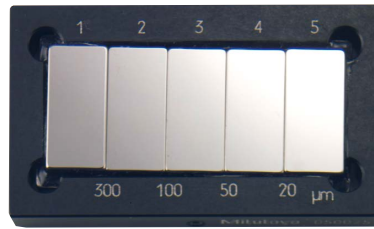




Step Master SERIES 516

- Step master is a master gage of different height that is useful for the z-axis (vertical direction) calibration of optical instruments.
- Each adjacent step is measured down to 0.01 μm by using an interferometer within ±0.20 μm allowance.
- Steel and ceramic types are available.



Steel type
516-199



Ceramic type
516-499

SPECIFICATIONS

Steel type

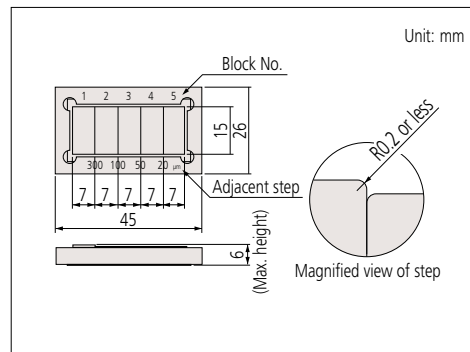
Code No.	516-198					516-199				
Block No.	1	2	3	4	5	1	2	3	4	5
Cumulative step (μm)	0	10	15	17	18	0	300	400	450	470
Step value between adjacent blocks (μm)		10	5	2	1		300	100	50	20

Ceramic type

Code No.	516-498					516-499				
Block No.	1	2	3	4	5	1	2	3	4	5
Cumulative step (μm)	0	10	15	17	18	0	300	400	450	470
Step value between adjacent blocks (μm)		10	5	2	1		300	100	50	20

Note: ○○○ - ○○○ -24: Provided with Calibration Certificate

DIMENSIONS



Tài liệu được tổng hợp bởi đội ngũ kỹ thuật của NPOWER
Bản quyền nội dung thuộc về Mitutoyo

Powered by NAVITECH | www.navitech.co
www.npower.com.vn