

Digital Height Gage

Digimatic® Height Gage

Bulletin No.1950



Height gages feature improved ease of operation and enhanced functionality



Tài liệu được tổng hợp bởi đội ngũ kỹ thuật của **NPOWER**
Bản quyền nội dung thuộc về **Mitutoyo**
Powered by **NAVITECH** | www.navitech.co
www.npower.com.vn

Mitutoyo

Best-selling Models
with double-column construction

Digital Height



(Photo: 192-663-10)



192-630-10

Large LCD characters

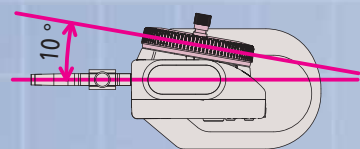
Character height of 11 mm makes display easy to read and avoids eyestrain.

Actual size



Slider handle

Inclined handle improves slider ergonomics.



HD-30AX display

• Design registration pending



- Large function buttons. Frequently used buttons are positioned on the right-hand side of the panel for easy operation.
- Uses the proven alarm system as used on previous models.

Base

Base is shaped to offer a secure grip



Gages with Improved Ease of Operation

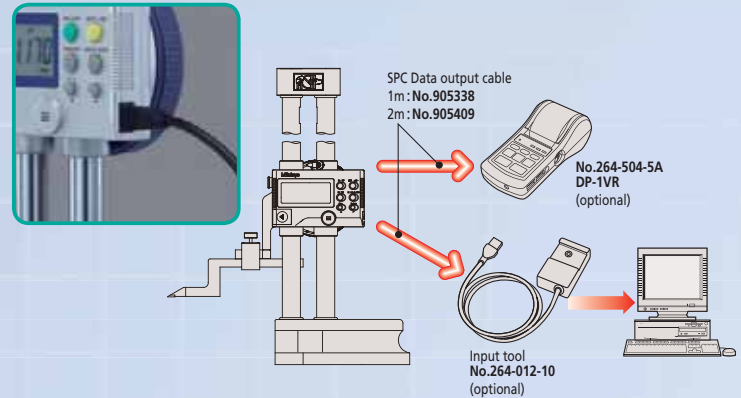
Resolution switchable to 0.01 or 0.005 mm

Simple switching operation



Output function for all models

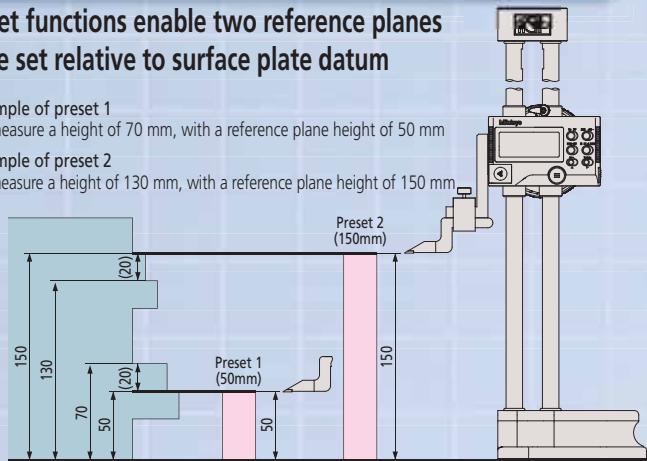
Connectable to the Digimatic Mini-processor DP-1VR, or to a PC via the input tool



Highly efficient operation plus preset-function convenience

Preset functions enable two reference planes to be set relative to surface plate datum

- Example of preset 1
To measure a height of 70 mm, with a reference plane height of 50 mm
- Example of preset 2
To measure a height of 130 mm, with a reference plane height of 150 mm

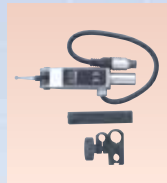


- Functions**
- Zero-set
 - Two preset reference heights
 - Direction switching
 - ABS measurement system (origin setting function)
(Re-setting of the origin is not required after power-off.)
 - Hold
 - Data output
 - Probe-ball diameter correction (HDM-AX only)

Options

- Bidirectional touch signal probe for Multi-function type

Code No.	metric	inch
		192-007
Measuring direction	Two-directional	
Contact method	Normally open	
Probe overtravel	1.5 mm	
Probe tip type	ø3 mm carbide ball	
Repeatability (σ)	2μm	
Cable length	Approx. 150 mm	
Measuring force	0.4 N	
Standard accessories	Holder arm, clamp	



- Connecting cable



Part No.905338: 1 m
Part No.905409: 2 m

* The Multi-function type has a probe-ball diameter correction function.

Digimatic® Height Gage

Operation and Functions

Standard type with SPC Data output



192-630-10

Specifications

Code No.	metric			inch / metric			
	192-613-10	192-614-10	192-615-10	192-630-10	192-631-10	192-632-10	192-633-10
Measuring range	0-300mm	0-600mm	0-1000mm	0-12"(0-300mm)	0-18"(0-450mm)	0-24"(0-600mm)	0-40"(0-1000mm)
Resolution	Switchable between 0.01 and 0.005 mm			.0005"(0.01mm) [.0002"(0.005mm) switchable]			
Display	7-digit LCD, character height: 11 mm						
Accuracy*	±0.02mm	±0.05mm	±0.07mm	±.001"(±0.02mm)	±.002"(±0.05mm)	±.002"(±0.05mm)	±.003"(±0.07mm)
Repeatability	0.01mm			.0005"(0.01mm)			
Response speed	About 500 mm/s						
Power supply	One SR44 battery (silver oxide button cell) No.938882						
Battery life	About 3,500 hours						
Operating temperature range	0°C to 40°C						
Weight	4.7kg	8.3kg	15.7kg	4.7kg	7.5kg	8.3kg	15.7kg
Scriber No.	07GZA000			900258			
Scriber clamp No.	05GZA033			901385			
Standard accessories	Scriber, scriber clamp, battery						

* Quantizing error: ±1, without count

Multi-function type with SPC Data output, a bidirectional touch signal probe can be used



192-670-10

Specifications

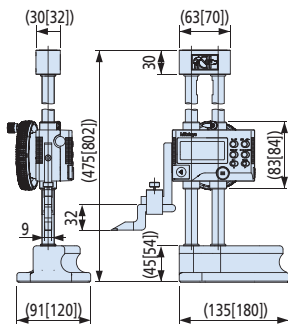
Code No.	metric			inch / metric			
	192-663-10	192-664-10	192-665-10	192-670-10	192-671-10	192-672-10	192-673-10
Measuring range	0-300mm	0-600mm	0-1000mm	0-12"(0-300mm)	0-18"(0-450mm)	0-24"(0-600mm)	0-40"(0-1000mm)
Resolution	Switchable between 0.01 and 0.005 mm			.0005"(0.01mm) [.0002"(0.005mm) switchable]			
Display	7-digit LCD, character height: 11 mm						
Accuracy*	±0.02mm	±0.04mm	±0.06mm	±.001"(±0.02mm)	±.0015"(±0.04mm)	±.0015"(±0.04mm)	±.0025"(±0.06mm)
Repeatability	0.01mm			.0005"(0.01mm)			
Response speed	About 500 mm/s						
Power supply	One SR44 battery (silver oxide button cell) No.938882						
Battery life	About 3,500 hours						
Operating temperature range	0°C to 40°C						
Weight	5.7kg	8.3kg	15.7kg	5.7kg	7.5kg	8.3kg	15.7kg
Scriber No.	905200			905201			
Scriber clamp No.	05GZA033			901385			
Standard accessories	Scriber, scriber clamp, battery						

* Quantizing error: ±1, without count

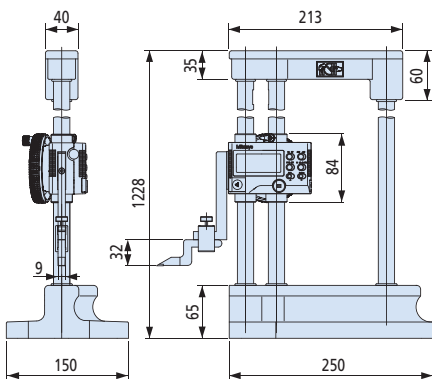
Standard type with SPC Data output

External dimensions (unit: mm)

0-12"[0-24"]
(0-300mm [0-600mm])



0-40"
(0-1000mm)



192-613-10

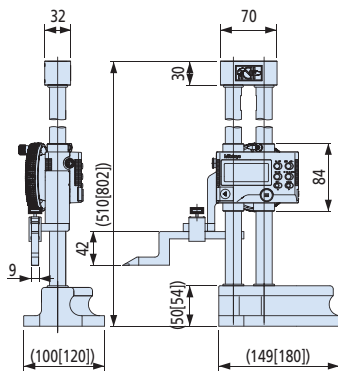
192-614-10

192-615-10

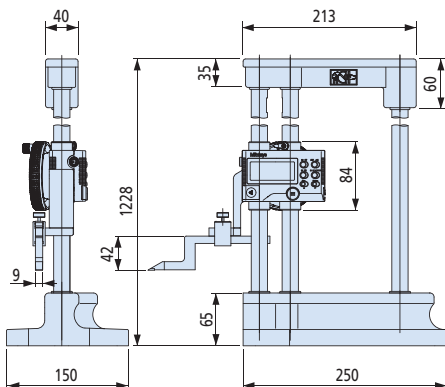
Multi-function type with SPC Data output, a bidirectional touch signal probe can be used

External dimensions (unit: mm)

0-12"[0-24"]
(0-300 mm [0-600 mm])



0-40"
(0-1000mm)



192-663-10

192-664-10

192-665-10



- Coordinate Measuring Machines
- Vision Measuring Systems
- Form Measurement
- Optical Measuring
- Sensor Systems
- Testing Equipment and Seismometer
- Digital Scale and DRO Systems
- Small Tool Instruments and Data Management

Mitutoyo America Corporation

www.mitutoyo.com

One Number to Serve You Better
1-888-MITUTOYO (1-888-648-8869)

M³ Solution Centers

Aurora, Illinois
 (Corporate Headquarters)

Westford, Massachusetts

Huntersville, North Carolina

Mason, Ohio

Plymouth, Michigan

City of Industry, California

Mitutoyo

Precision is our Profession

Note: All information regarding our products, and in particular the illustrations, drawings, dimensional and performance data contained in this printed matter as well as other technical data are to be regarded as approximate average values. We therefore reserve the right to make changes to the corresponding designs. The stated standards, similar technical regulations, descriptions and illustrations of the products were valid at the time of printing. In addition, the latest applicable version of our General Trading Conditions will apply. Only quotations submitted by ourselves may be regarded as definitive.

Mitutoyo products are subject to US Export Administration Regulations (EAR). Re-export or relocation of Mitutoyo products may require prior approval by an appropriate governing authority.

Trademarks and Registrations

Designations used by companies to distinguish their products are often claimed as trademarks. In all instances where Mitutoyo America Corporation is aware of a claim, the product names appear in initial capital or all capital letters. The appropriate companies should be contacted for more complete trademark and registration information.

We reserve the right to change specifications and prices without notice.