

Exploded View/Parts List

MYG-50 Exploded View/Parts List

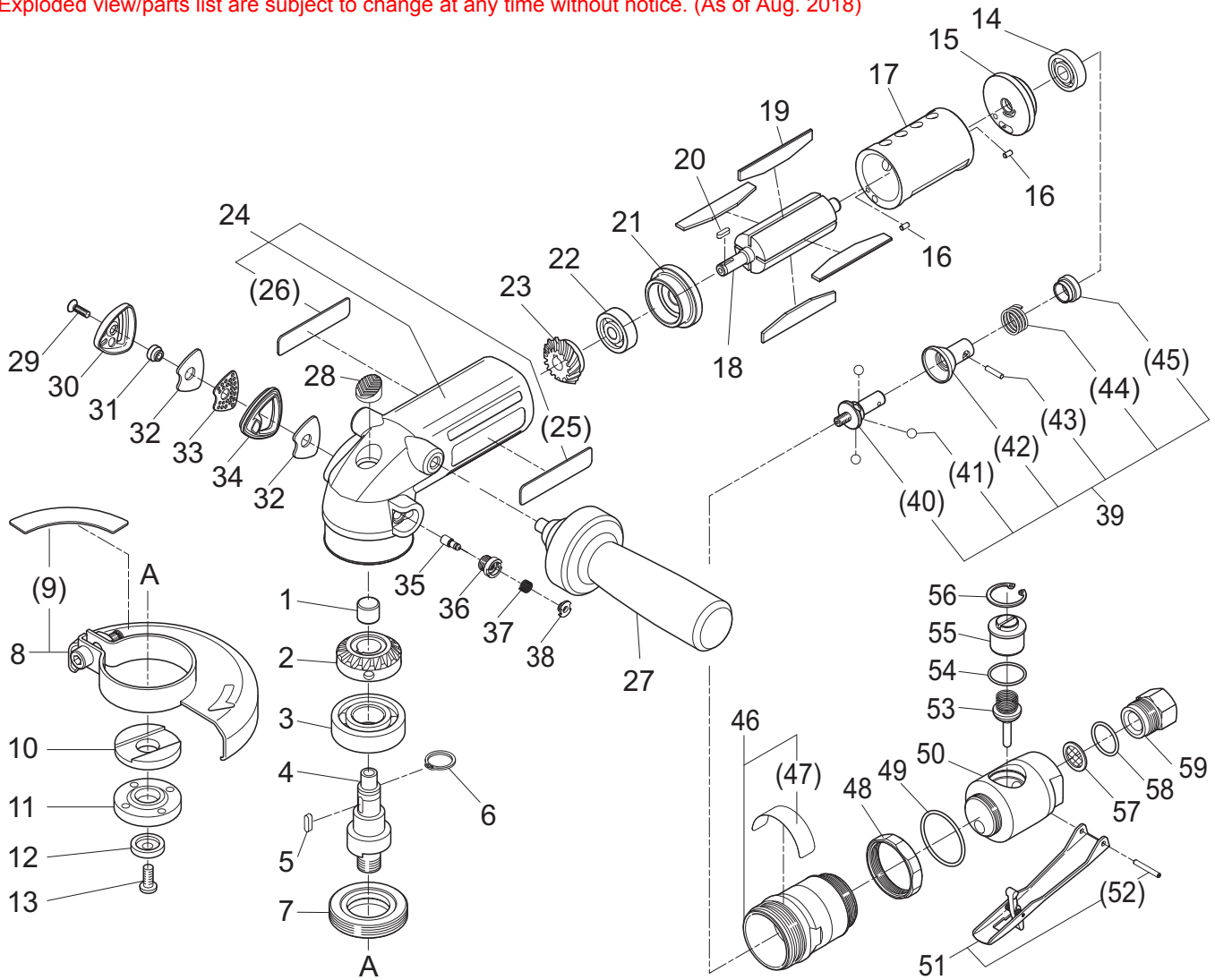
⚠ CAUTION

- Users should never perform disassembly of the tool.

This illustration is for reference only.

For repair or replacement of the tool, request service from the retailer where you purchased the tool or the nearest NITTO service member store.

Exploded view/parts list are subject to change at any time without notice. (As of Aug. 2018)



*1 indicates a consumable item, *2 indicates a commercial item. Parts inside () are components of the above assembly.

No.	Part no.	Part name	Quantity
*1 *2	1	TQ12088 Needle Bearing BK1012	1
*1	2	TQ14290 Gear	1
*1 *2	3	TP04138 Ball Bearing 6204ZZ	1
	4	TQ14289 Spindle	1
	5	TP09933 Parallel key Both Ends Round 4×4×12	1
	6	TP18356 External Retaining Ring C-14	1
	7	TB08263 Bearing Set Screw Ass'y	1 set
	10	TQ04123 Driving Flange	1
	11	TQ04124 Outer Flange	1
	12	TQ04139 Washer	1
	13	TP14688 Hex. Socket button head Screw 6×15	1

Exploded view/parts list are subject to change at any time without notice. (As of Aug. 2018)

No.	Part no.	Part name	Quantity	
*1 *2	14	TP06242	Ball Bearing 629ZZ	1
	15	TQ12063	End Plate A	1
	16	TP04061	Spring Pin 3×6 AW	2
	17	TQ12062	Cylinder	1
	18	TQ14928	Rotor	1
*1	19	TB08555	Blade Ass'y (4pcs.)	1 set
	20	TP10130	Parallel key Both Ends Round 3×3×10	1
	21	TQ12064	End Plate B	1
*1 *2	22	TQ12087	Ball Bearing 638ZZ	1
*1	23	TQ14288	Pinion	1
	24	TB10179	Housing Sub Ass'y	1 set
	(25)	(TQ15043)	Label Model	1
	(26)	(TQ15216)	Label Warning	1
	28	TQ14980	Plug 70	1
	29	TQ14946	+ Countersunk Head Screw 4×14	1
	30	TQ15090	Exhaust Cover 70	1
	31	TQ15140	Spacer	1
*1	32	TQ15143	Exhaust Filter 70	2
	33	TQ15142	Exhaust Plate 70	1
	34	TQ15141	Packing Cover	1
	35	TQ14863	Lock Pin	1
	36	TQ14865	Pin Guide	1
	37	TQ14864	Spring 0.6×6.9×8	1
	38	TQ14866	Lock Button	1
	39	TB10092	Governor Ass'y	1 set
	(40)	(TQ12813)	Base	1
	(41)	(TP01566)	Steel Ball Ø6	3
	(42)	(TQ12067)	Sleeve	1
	(43)	(TQ12090)	Needle Roller 2.5×13.8	1
	(44)	(TQ12069)	Spring 1.4×15.5×14.2	1
	(45)	(TQ12068)	Stopper	1
	46	TB10526	Valve Holder Ass'y	1 set
	(47)	(TQ15044)	Label Specification	1
	48	TP17452	Lock Ring	1
	49	TP17445	O-ring S-35.5	1
	50	TQ12662	Valve Body	1
	51	TB08669	Lever Ass'y	1 set
	(52)	(TP13893)	Spring Pin 3×22 AW	1
	53	TB09001	Valve Stem Ass'y	1 set
	54	TP10714	O-ring S-22	1
	55	TQ12668	Adjust Valve	1
	56	TP10448	Internal Retaining Ring C-24	1
	57	TP01658	Filter	1
	58	CP25821	O-ring JASO-1020	1
	59	TQ12671	Bushing M23×Rc 3/8	1

Accessories

No.	Part no.	Part name	Quantity
8	TB10400	Wheel Guard Ass'y	1 set
(9)	(TQ15046)	Label Warning for Wheel Guard	1
27	TB09680	Side Handle Ass'y (M8)	1
	TQ02350	Bushing R 3/8×NPT 3/8	1
	TP01939	4 mm Hex. Socket Screw Key	1
	TP00170	6 mm Hex. Socket Screw Key	1
	TQ04125	Pin Face Wrench	1
	TQ15279	Instruction Manual	1