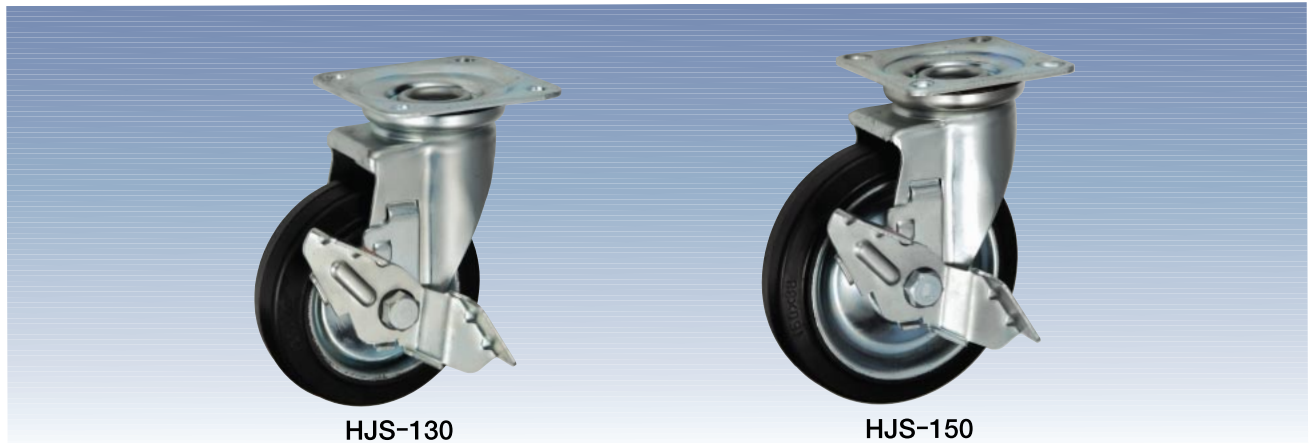


# HJS Type

Size: 130mm~150mm  
Medium Weight Swivel Caster with Stopper



HJS-130

HJS-150

Size A	Model Number	Wheel	Bearing	Load Capacity		Tire Width R	Shaft Diameter D	Overall Height H1	Plate Size F1/F2	Mounting Hole Spacing P1/P2 (P1'/P2')	Plate Hole d	Offset E	Weight (g)
				(daN)	(kgf)								
130	HJS-130	Rubber	B/B	150	153.0	42	12	177	108/108	80/80	11	40	1,770
150	HJS-150	Rubber	B/B	180	183.6	38	12	187	100/100	※80/80 (75/75)	11	40	1,920

Unit: mm

Bearing: B/B -- Steel bearing

※Oval-shaped screw holes

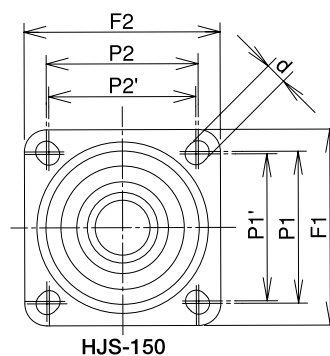
The stopper of the HJS Type caster can lock the wheel to stop the caster.

### [Bracket Dimensions]

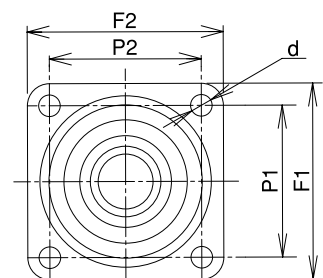
Unit: mm

Size A	Bracket Height H	Bracket Width B
130	112	53
150	112	53

\* The shaft set is included in the bracket.



HJS-150



HJS-130

