

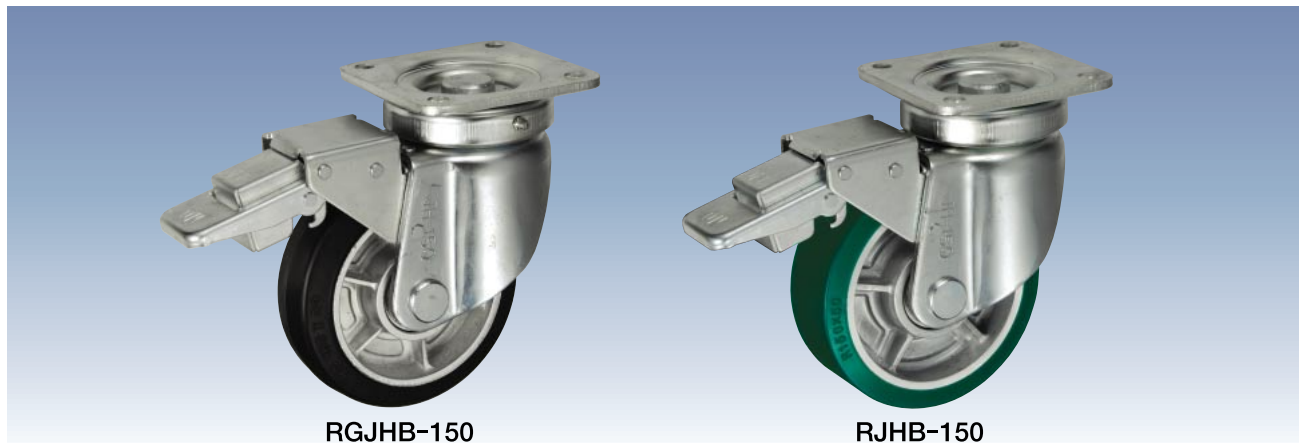
JHB Type

Size: 150mm

Super Heavy Duty Swivel Bracket with Stopper

Tài liệu được tổng hợp bởi đội ngũ kỹ thuật của **NPOWER**
Bản quyền nội dung thuộc về **UKAI**

Powered by **NAVITECH** | www.navitech.co
www.npower.com.vn



RGJHB-150

RJHB-150

Unit: mm

Size A	Model Number	Wheel	Bearing	Load Capacity		Tire Width R	Shaft Diameter D	Overall Height H1	Plate Size F1/F2	Mounting Hole Spacing P1/P2	Plate Hole d	Offset E	Weight (g)
				(daN)	(kgf)								
150	RGJHB-150	Aluminum Rim · Rubber	B/B	300	306.0	50	20	198	120/120	90/90	11	50	4,610
	RJHB-150	Aluminum Rim · Urethane	B/B	500	510.0								4,720
	RFJHB-150	Steel Rim · Urethane	B/B	550	561.0								4,780
	RRJHB-150	Aluminum Rim · MC Nylon	B/B	600	612.0								4,720
	UWBJHB-150	MC Nylon	B/B	600	612.0	40	4,580						

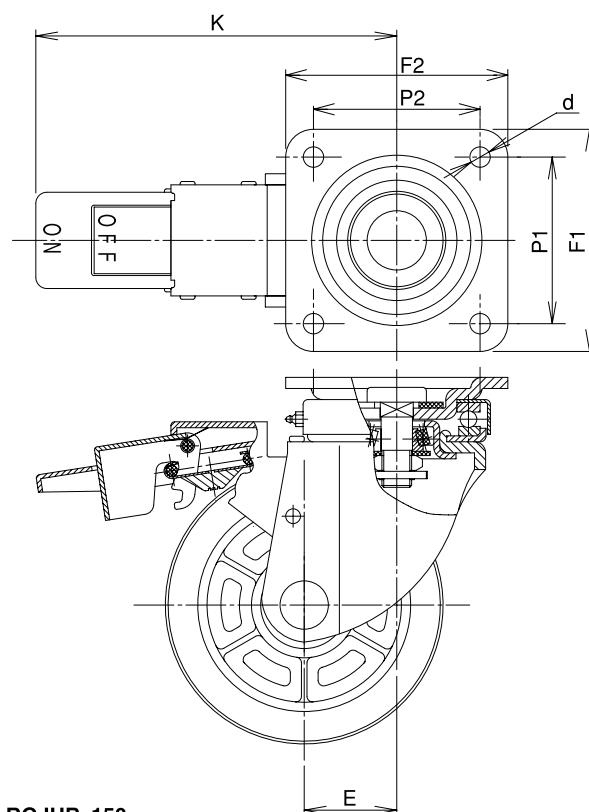
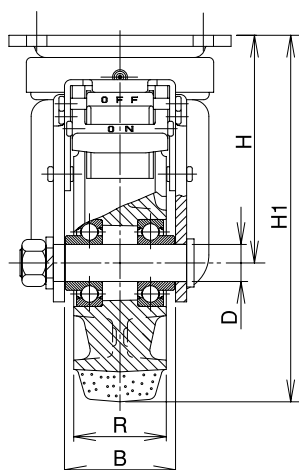
Bearing: B/B -- Steel bearing

**Include Thrust ball and
Taper roller bearing!**

Distinctive Features

The swivel part includes a thrust ball bearing in the upper part and a taper roller bearing in the lower part. This design was embodied, for stabilizing the smooth swivel function and abrasion resistance under heavy loading for a long period of time.

The stopper of the JHB Type bracket can lock the wheel to stop the caster.

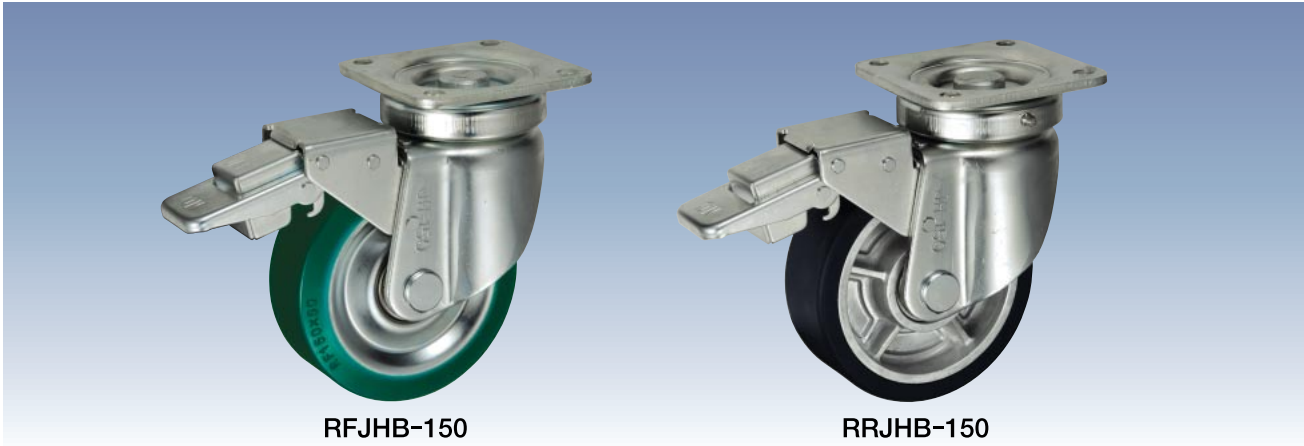


RGJHB-150

JHB Type

Size: 150mm

Super Heavy Duty Swivel Bracket with Stopper



RFJHB-150

RRJHB-150

[Bracket Dimensions]

Unit: mm

Size	Load Capacity		Bracket Height H	Bracket Width B	Weight (g)
	(daN)	(kgf)			
150	600	612.0	123	60	3,480

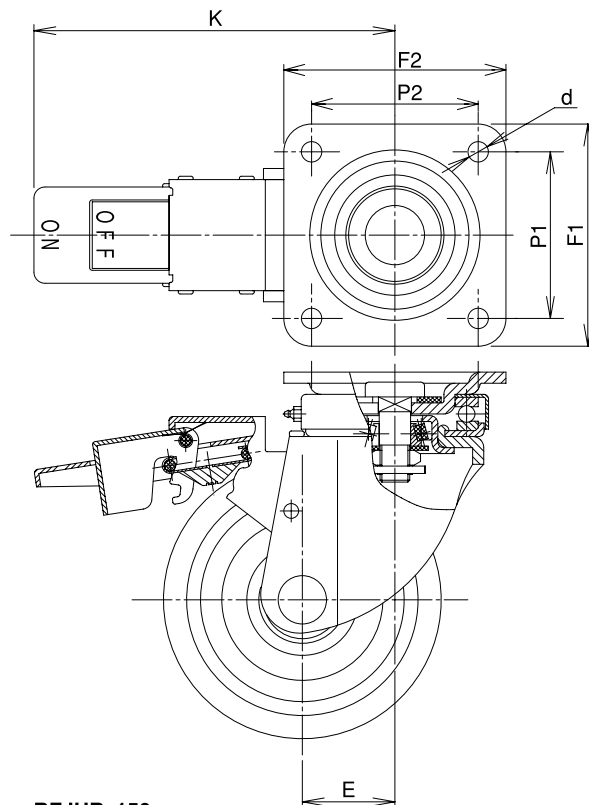
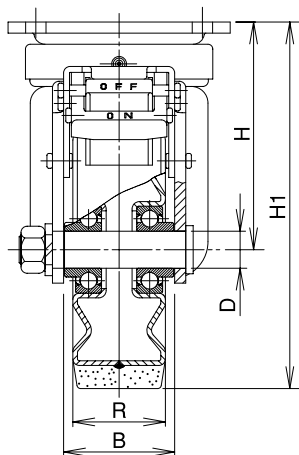
[Pedal Dimensions]

Unit: mm

Size	Pedal Rod K	Stop Torque (kg-cm)
150	195	250

* The shaft set is included in the bracket.

Heavy Duty Caster Series



RFJHB-150