

RGJH-150

RJH-150

Size	Model Number	Wheel	Bearing	Load Capacity		Tire Width R	Shaft Diameter D	Overall Height H1	Plate Size F1/F2	Mounting Hole Spacing P1/P2	Plate Hole d	Offset E	Weight (g)
				(daN)	(kgf)								
130	RGJH-130	Aluminum Rim·Rubber	B/B	240	244.8	50	20	177	108/108	80/80	11	45	3,300
	RJH-130	Aluminum Rim·Urethane	B/B	450	459.0								3,440
	RFJH-130	Steel Rim·Urethane	B/B	500	510.0								3,470
	RRJH-130	Aluminum Rim·MC Nylon	B/B	550	561.0								3,450
	UWBJH-130	MC Nylon	B/B	600	612.0								3,200
150	RGJH-150	Aluminum Rim·Rubber	B/B	300	306.0	50	20	198	120/120	90/90	11	50	4,070
	RJH-150	Aluminum Rim·Urethane	B/B	500	510.0								4,180
	RFJH-150	Steel Rim·Urethane	B/B	550	561.0								4,240
	RRJH-150	Aluminum Rim·MC Nylon	B/B	600	612.0								4,180
	UWBJH-150	MC Nylon	B/B	600	612.0								4,040

Unit: mm

Bearing: B/B -- Steel bearing

Include Thrust ball and Taper roller bearing!

Distinctive Features

The swivel part includes a thrust ball bearing in the upper part and a taper roller bearing in the lower part. This design was embodied, for stabilizing the smooth swivel function and abrasion resistance under heavy loading for a long period of time.

[Bracket Dimensions]

Size	Load Capacity		Bracket Height H	Bracket Width B	Weight (g)
	(daN)	(kgf)			
130	550	561.0	112	60	2,390
150	600	612.0	123	60	2,940
200	■ JH-200 Shaft Diameter 25				
	800	816.0	150	71	3,460
	■ JH-200 Shaft Diameter 20				
	800	816.0	150	56	3,270

* The shaft set is included in the bracket.

JH Type

Size: 200mm

Super Heavy Duty Swivel Bracket



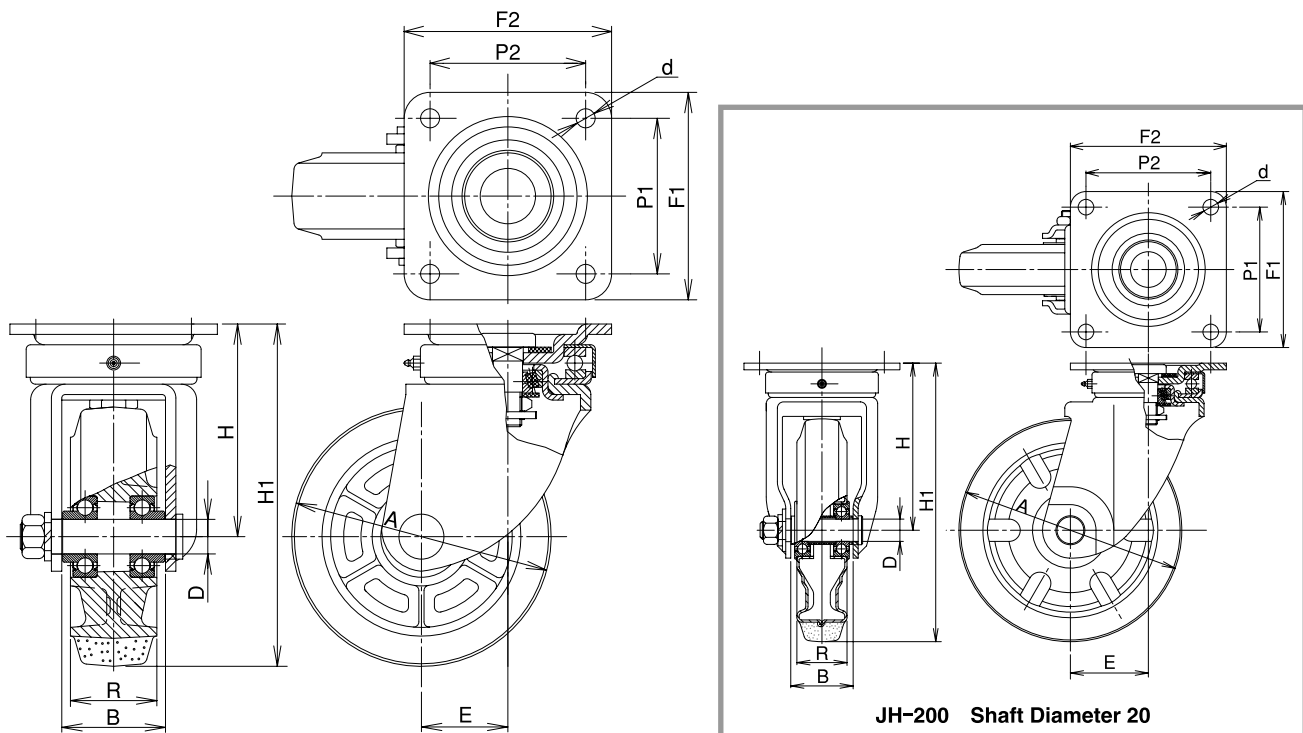
RFJH-150

RRJH-150

Unit: mm

Size 	Model Number	Wheel	Bearing	Load Capacity		Tire Width R	Shaft Diameter D	Overall Height H1	Plate Size F1/F2	Mounting Hole Spacing P1/P2	Plate Hole d	Offset E	Weight (g)
				(daN)	(kgf)								
200	■ JH-200 Shaft Diameter 25												
	RGJH-200	Steel Rim · Rubber	B/B	410	418.2	63	25	250	140/140	112/112	14	70	6,020
	RFJH-200	Steel Rim · Urethane	B/B	600	612.0								6,030
	RRJH-200	Aluminum Rim · MC Nylon	B/B	660	673.2								5,870
	UWBJH-200	MC Nylon	B/B	800	816.0	42	5,400						
	■ JH-200 Shaft Diameter 20												
SVJH-200	Rubber	B/B	250	255.0	45	20	250	140/140	112/112	14	70	5,020	
SHVJH-200	High-Rebound	B/B	250	255.0								5,020	

Bearing: B/B -- Steel bearing



JH-200 Shaft Diameter 20