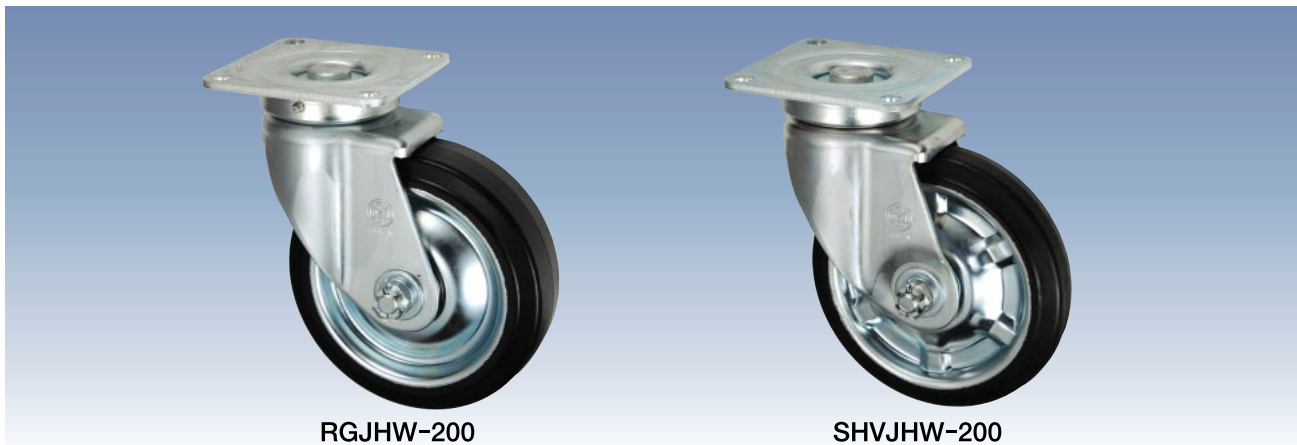


JHW Type

Size: 150mm~200mm

Towing Swivel Bracket



RGJHW-200

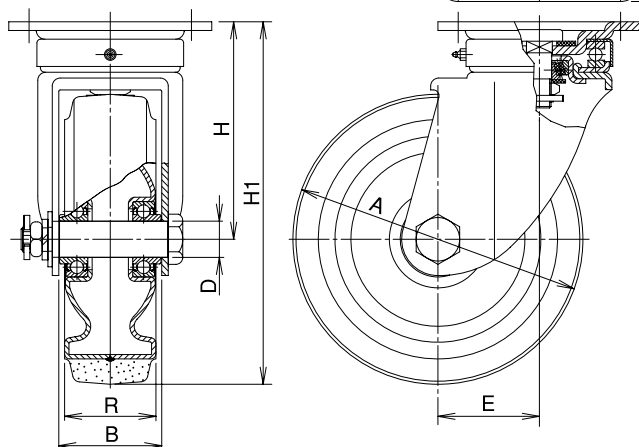
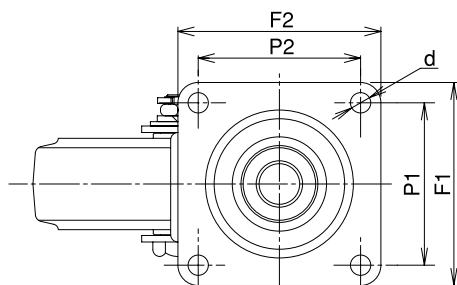
SHVJHW-200

Size	Model Number	Wheel	Bearing	Load Capacity		Tire Width R	Shaft Diameter D	Overall Height H1	Plate Size F1/F2	Mounting Hole Spacing P1/P2	Plate Hole d	Offset E	Weight (g)
				(daN)	(kgf)								
150	RGJHW-150	Aluminum Rim · Rubber	B/B	300	306.0	50	20	198	120/120	90/90	11	50	4,070
	RJHW-150	Aluminum Rim · Urethane	B/B	500	510.0								4,180
	RFJHW-150	Steel Rim · Urethane	B/B										4,240
200	■ JHW-200 Shaft Diameter 25												
	RGJHW-200	Steel Rim · Rubber	B/B	410	418.2	63	25	250	140/140	112/112	14	70	6,010
	RFJHW-200	Steel Rim · Urethane	B/B	600	612.0								6,020
	■ JHW-200 Shaft Diameter 20												
	SVJHW-200	Rubber	B/B	250	255.0	45	20	250	140/140	112/112	14	70	5,020
	SHVJHW-200	High-Rebound	B/B										5,020

Unit: mm

Bearing: B/B -- Steel bearing

The shaft includes a split pin for preventing loosening.

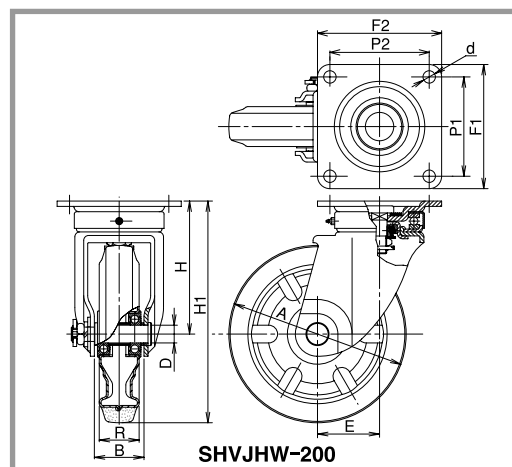


[Bracket Dimensions]

Size	Load Capacity		Bracket Height H	Bracket Width B	Weight (g)
	(daN)	(kgf)			
150	600	612.0	123	60	2,940
200	■ JHW-200 Shaft Diameter 25				
	800	816.0	150	71	3,450
	■ JHW-200 Shaft Diameter 20				
	800	816.0	150	56	3,270

Unit: mm

* The shaft set is included in the bracket.



SHVJHW-200