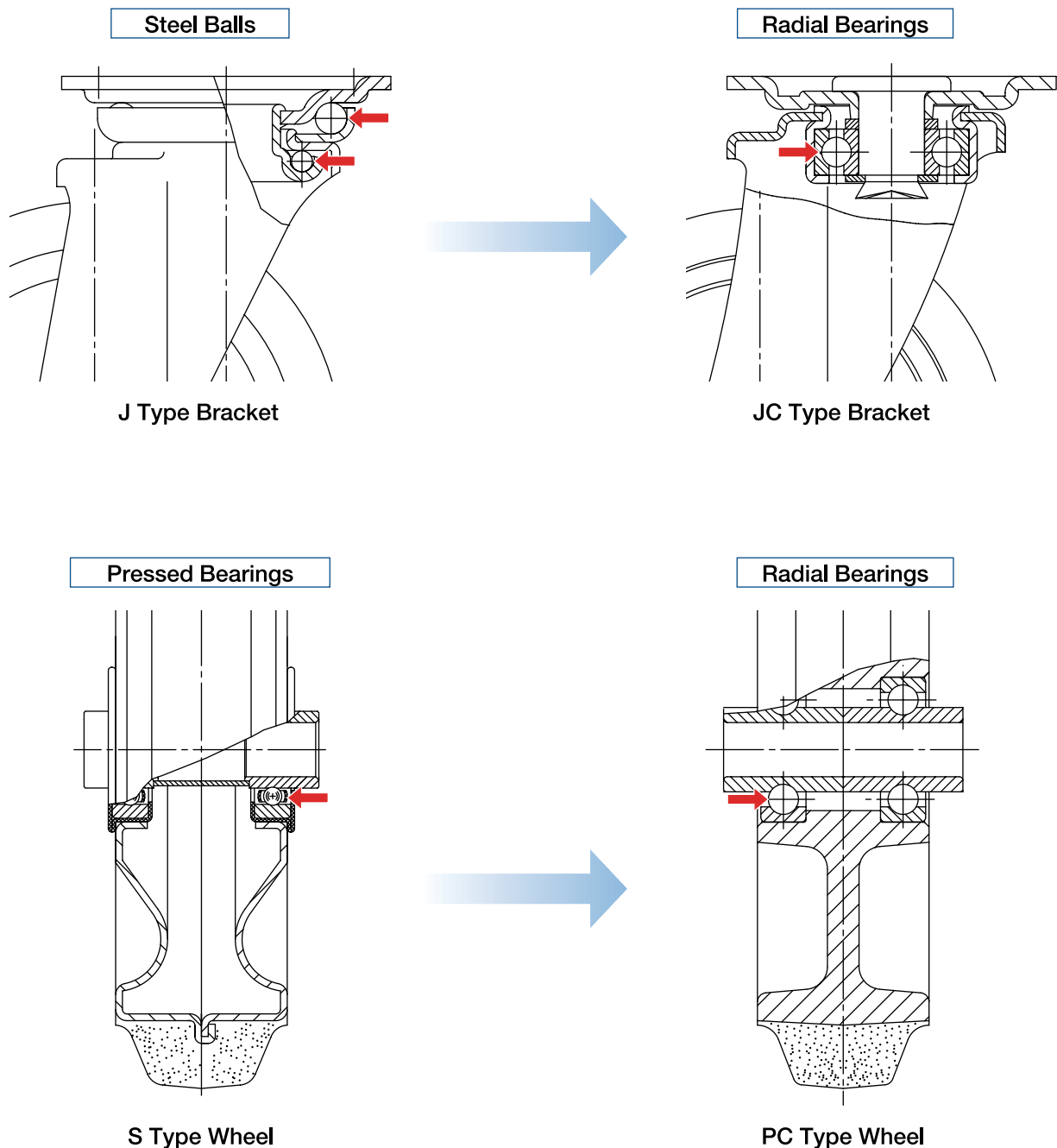


## Reduces the Noise of Brackets and Wheels while Running!

### Distinctive Features

The UKAI silent running caster replaces the original ball bearings in the swivel part of J type bracket with the radial bearings and bearing holder, and also replaces the original pressed bearings in the wheel with radial bearings. This improvement successfully reduced the noise of brackets and wheels while running.



# PCJCS Type Size: 100mm~150mm

**Silent Running** Swivel Caster with Stopper



PCJCS-100

PCJCS-125

PCJCS-151

Unit: mm

Size A	Model Number	Wheel	Bearing	Load Capacity		Tire Width R	Shaft Diameter D	Overall Height H1	Plate Size F1/F2	Mounting Hole Spacing P1/P2 (P1'/P2')	Plate Hole d	Offset E	Weight (g)
				(daN)	(kgf)								
100	PCJCS-100	Rubber	B/B	120	122.4	32	10	132	90/90	※71/71 (68/68)	11	34	970
125	PCJCS-125	Rubber	B/B	150	153.0	38	12	168	100/100	※80/80 (75/75)	11	38	1,590
150	PCJCS-151	Rubber	B/B	180	183.6	38	12	190	100/100	※80/80 (75/75)	11	40	1,730

Bearing: B/B -- Steel radial bearing

※Oval-shaped screw holes

The stopper of the PCJCS Type caster can lock the wheel to stop the caster.

### 【Bracket Dimensions】

Unit: mm

Size A	Bracket Height H	Bracket Width B
100	82	42
125	105	53
150	115	53

