

TRRTH-50

TRRTH-50+AE-16

Size 	Model Number	Wheel	Bearing	Load Capacity		Tire Width R	Shaft Diameter D	Overall Height H1	Plate Size F1/F2	Mounting Hole Spacing P1/P2	Plate Hole d	Offset E	Adjuster ※	Weight (g)
				(daN)	(kgf)									
50	TSUITH-50	Urethane	B/B	150	153.0	20.5	10	70	118/118	94/94	8.5	40	AE-16	1,330
	TRRTH-50	MC Nylon	B/B	350	357.0	27								1,270
	TFTH-50	Steel	B/B	450	459.0	25								1,690
65	TSUITH-65	Urethane	B/B	250	255.0	25	12	87	118/118	94/94	8.5	45	AE-20	1,760
	TRRTH-65	MC Nylon	B/B	450	459.0									1,440
	TFTH-65	Steel	B/B	450	459.0									2,240

Unit: mm

Bearing: B/B -- Steel bearing

The wheel is used in two wheels.

※The adjuster is optional (Page 82).

### [Bracket Dimensions]

Size 	Load Capacity		Bracket Height H	Bracket Width B	Weight (g)
	(daN)	(kgf)			
50	400	408.0	45	60	1,050
65	500	510.0	54	60	1,140

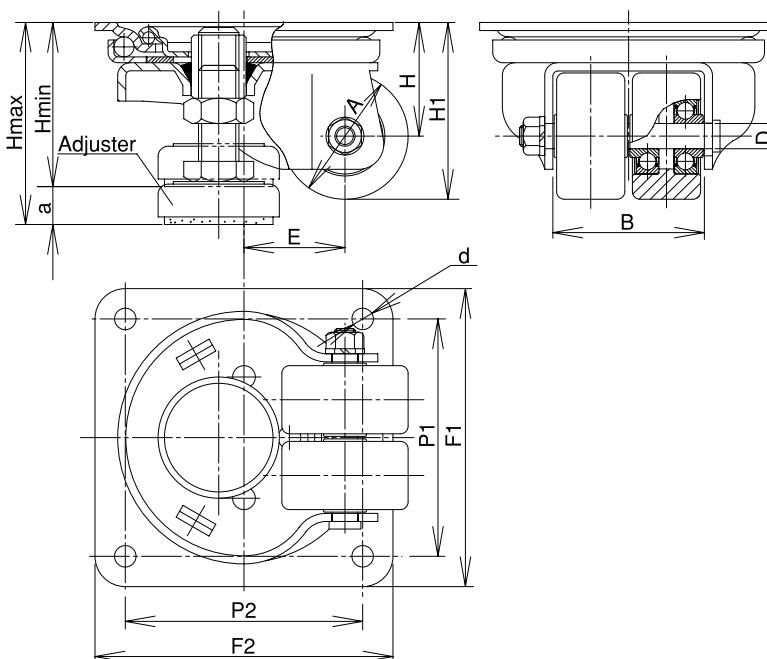
Unit: mm

\* The shaft set is included in the bracket.

### [Adjuster Dimensions]

Compatible Adjuster	Max. Height Hmax	Min. Height Hmin	Adjustment a
AE-16	80	65	15
AE-20	94	79	15

Unit: mm



# AE<sub>Type</sub>

Adjuster



Unit: mm

Model Number	Load Capacity		Bolt Diameter P	Bolt Length		Foot Diameter $\phi N$	Lock Nut		Weight (g)	Compatible Caster
	(daN)	(kgf)		L1	L2		s	m		
AE-16	500	510.0	M16×P2	38	63	48	24	10	190	TH-50
AE-20	600	612.0	M20×P2.5	45	72	48	30	12	270	TH-65

